

- 5/8" DRYWALL (BY OTHERS)
- TINNERMAN U-CLIP (7 PER FRAME @ 18" [457mm] O.C.) (JK090)
- CONT. ALUM. FRAME (J3A151)
- CONT. ALUM. MAIN FRAME COVER (J3G151)
- CONT. VINYL GASKET (J3D505)

- #8x2 [M4x50] SHEET METAL SCREW (7 PER FRAME @ 18" [457mm] O.C.) (JK061)
- CONT. ALUM. WALL ANGLE FRAME (J3A121)
- TINNERMAN U-CLIP (7 PER FRAME @ 18" O.C.) (JK090)
- CONT. SPRING STEEL CENTER PLATE (J3C111-F)

318-A07-050

JOINT WIDTH		MOVEMENT ±			
		HORIZONTAL		VERTICAL	
US	mm	US	mm	US	mm
2"	51	1"	25	1/2"	13

FINISH: CLEAR ANODIZED / STAINLESS 2B

PROJECT:

CUSTOMER:

LOCATION:

APPLICATION- GLIDE PLATE
WALL/WALL, CEILING/CEILING
CONDITION

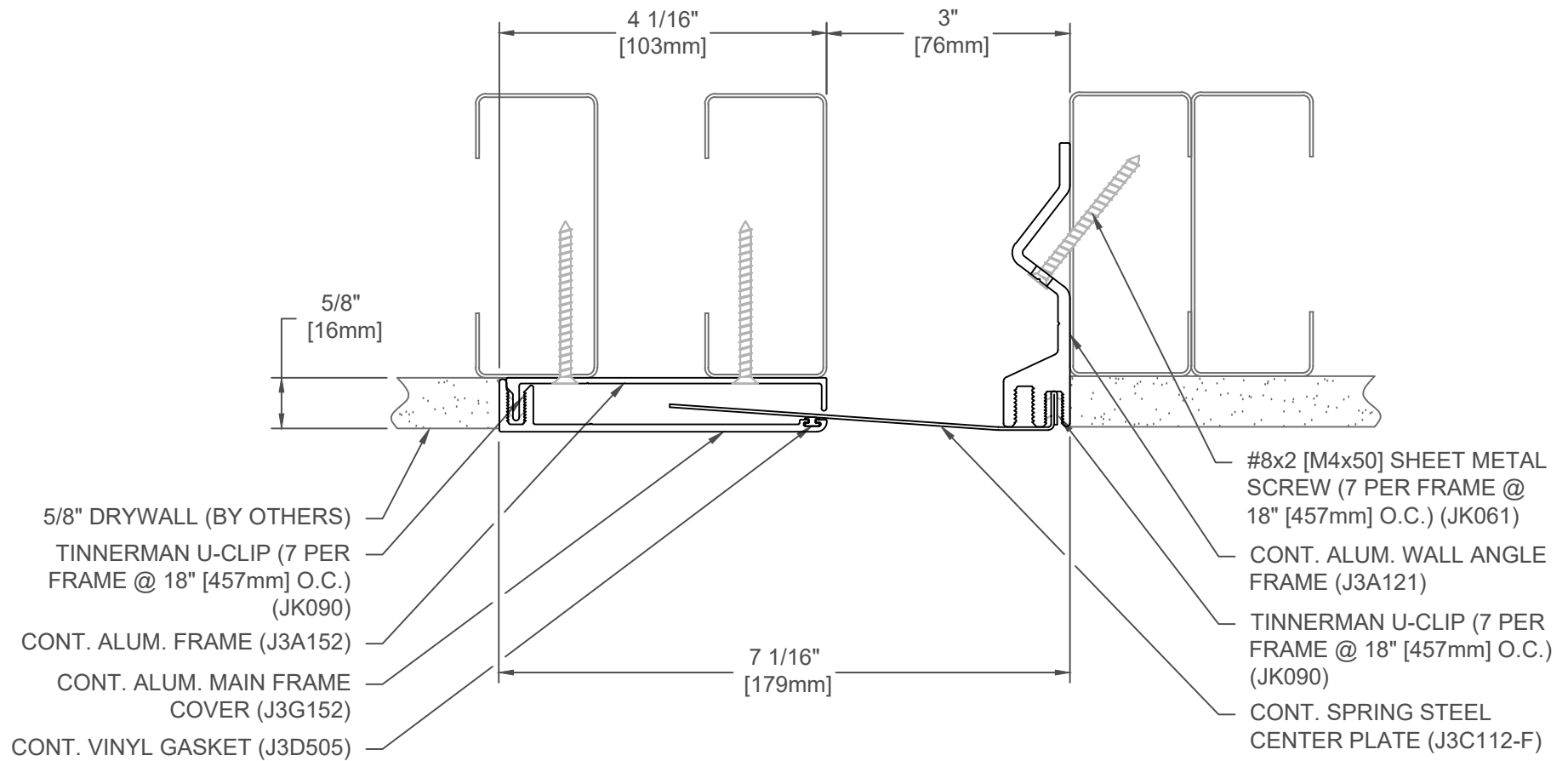
DATE: 5-23-07

SCALE: 1:2

DOC: CADJM.110/R1



For More Information Visit: Inprocorp.com



318-A07-075

JOINT WIDTH		MOVEMENT ±			
		HORIZONTAL		VERTICAL	
US	mm	US	mm	US	mm
3"	76	1-1/2"	38	3/4"	19

FINISH: CLEAR ANODIZED / STAINLESS 2B

PROJECT:

CUSTOMER:

LOCATION:

APPLICATION- GLIDE PLATE
WALL/WALL, CEILING/CEILING
CONDITION

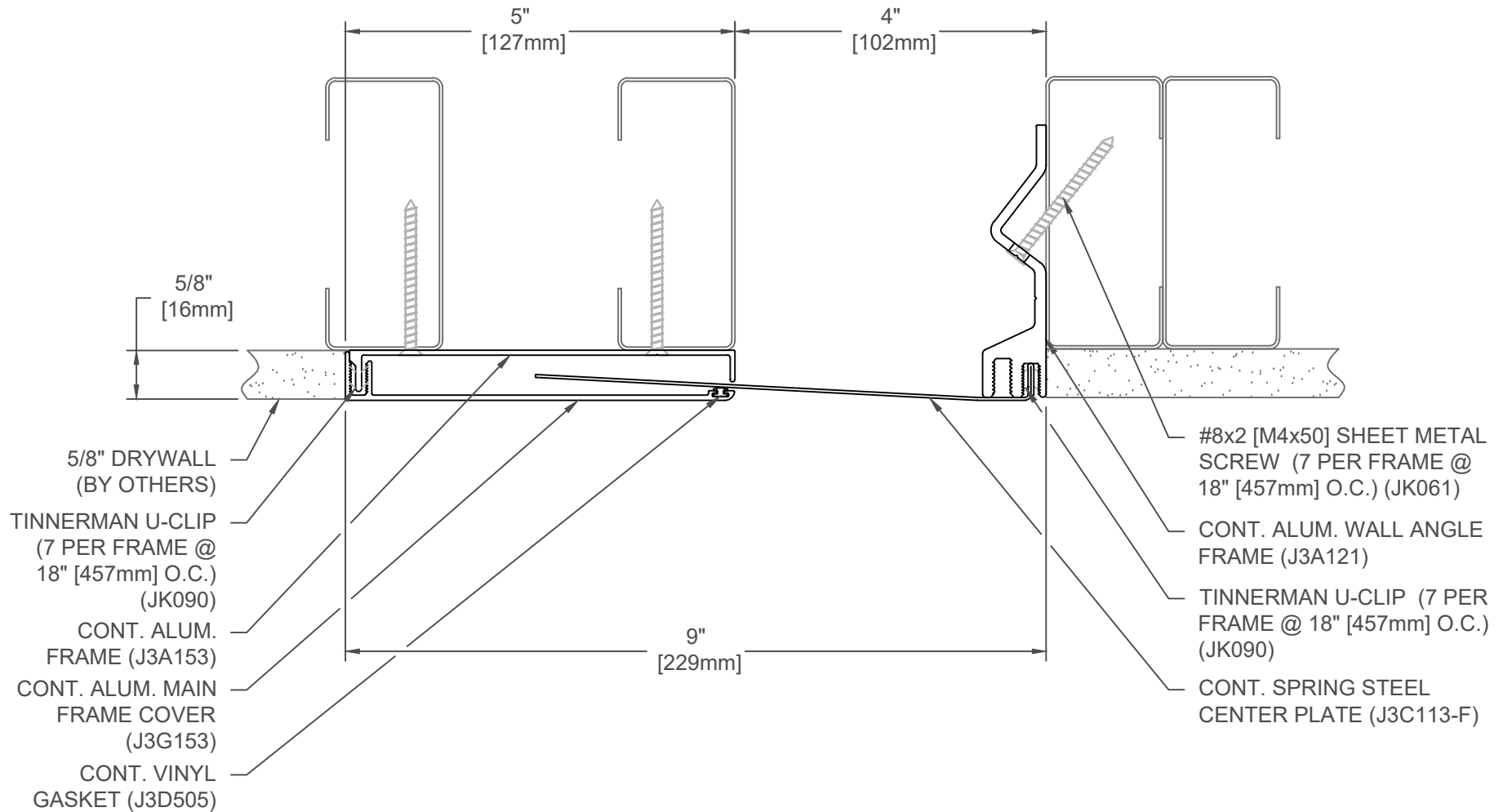
DATE: 5-23-07

SCALE: 1:2

DOC: CADJM.110/R1



For More Information Visit: Inprocorp.com



318-A07-100

JOINT WIDTH		MOVEMENT ±			
		HORIZONTAL		VERTICAL	
US	mm	US	mm	US	mm
4"	102	2"	51	1"	25

FINISH: CLEAR ANODIZED / STAINLESS 2B
PROJECT:
CUSTOMER:
LOCATION:

APPLICATION- GLIDE PLATE
WALL/WALL, CEILING/CEILING
CONDITION

DATE:	5-23-07
SCALE:	1:2
DOC:	CADJM.110/R1

