

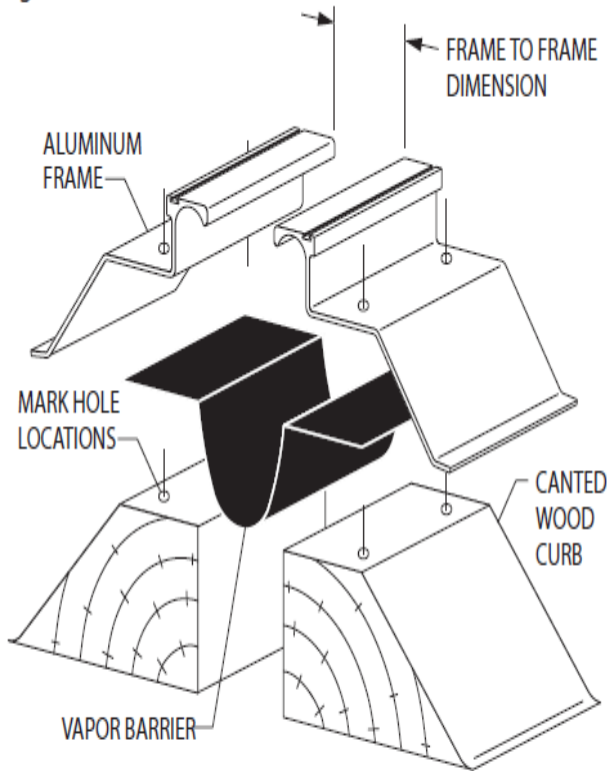
Installation Instructions

661 Series Exterior Roof to Roof Joint System



NOTE: Verify that the structural gap is in conformance with the submittal data before beginning installation. If this is a Fire Rated Assembly, the fire barrier must be installed before the Architectural Joint System. Refer to the fire barrier instructions for specific system installation.

Fig. 1



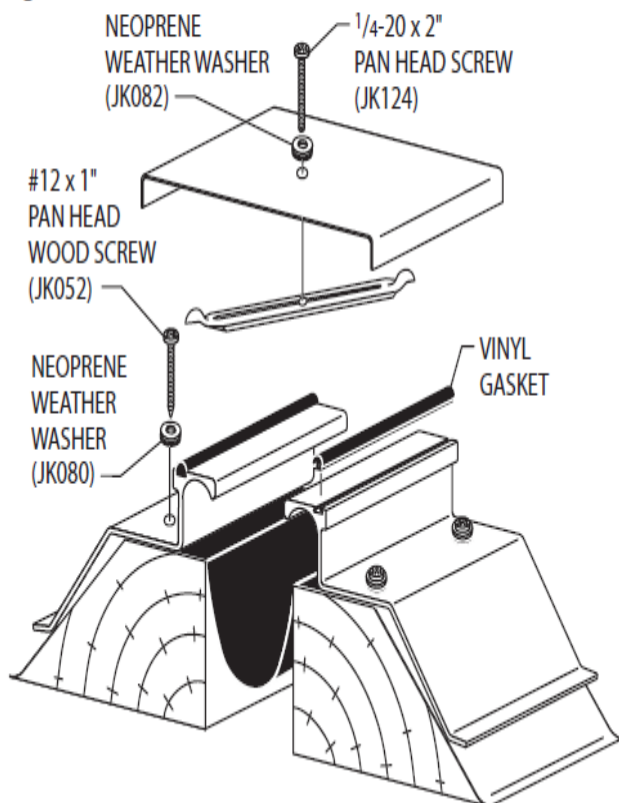
1. Install the architectural joint system on a level surface. To ensure +/- 50% movement, top of canted wood curb must be 1 1/2" (38mm) - 1 3/4" (44mm) wide.

Figure 1

2. Cut the aluminium components to the desired length.
3. Place the frames firmly against the canted wood curb with the radius profile of the frames facing the structural gap.
4. Based on a standard 2x45° canted curb, the distance between opposing frame faces should be:

Joint Width mm	Frame to Frame Dimension mm
25	19
50	38
75	64
100	89
150	140
200	191
250	241
300	292

Fig. 2

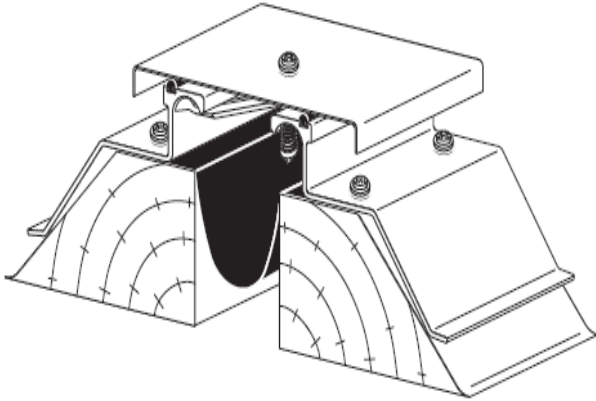


5. Mark the pre-drilled hole locations on the curb and remove the frames.
6. Drill all marked holes on the curb using a 1/8" (3mm) drill bit to 1" (25mm) depth.
7. Lay continuous bead of butyl caulk (contractor furnished) on top of both curbs. Starting at one end of joint opening, place vapour barrier evenly over curb tops allowing the excess material to drape into the structural gap. If necessary, vapour barrier may be fastened to substrate with nails. Fold ends up or weep out (See Figure 1a).

Figure 2

8. Return the frames into position over the drilled hole locations. Secure in place with one JK052 #12 x 1" pan head wood screw through a JK080 neoprene weather washer.

Fig. 3



- Slide the vinyl gasket into the frame's dart receptacle.
- Assemble the plate by inserting one JK124 1/4-20x2" pan head screw through a JK082 neoprene weather washer for each counter-sunk hole in the aluminium plate. Loosely thread one centering bar on each screw with the rounded domes facing the plate. Centering bars should be aligned diagonally and parallel to each other (see Figure 2a).

Figure 3

- Place the plate assembly centered over the frames. Tighten the screws to engage the centering bars in the frame channels.

SPLICE PLATE INSTALLATION INSTRUCTIONS:

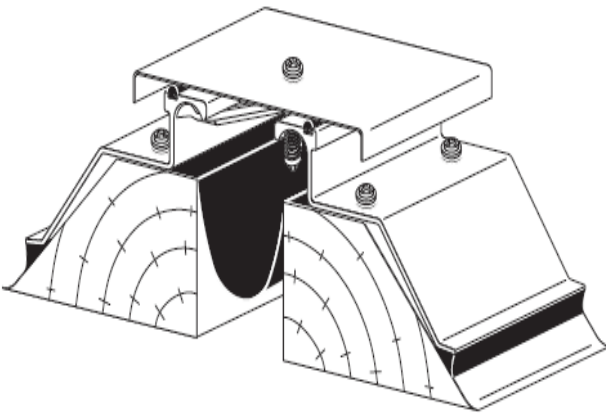
- Leave a min. of a 1/4" (6mm) gap between the full sections.
- Apply a bed of continuous silicone sealant and center splice plate over seam to ensure a water tight seal.
- Fasten a min. of (1) #10 (5mm) self tapping screw 1" (25mm) in from the center top of the splice plate on one end only. Do not fasten both ends of the splice plate.

Figure 4

- Clean exposed surfaces with a non-solvent cleaner, such as 409, as required.

OPTIONAL - A continuous bead of caulk (contractor furnished) can be applied along the frame lip at the roof cant.

Fig. 4 (661-A01 completed installation)



(691-A01 completed installation)

