

Installation Instructions

141 Series Floor Joint System



NOTE: Verify that the structural gap and blockout dimensions are in conformance with the submittal data before beginning installation. If this is a Fire Rated Assembly, the fire barrier must be installed before the Architectural Joint System. Refer to the fire barrier instructions for specific system installation.

FIG 1

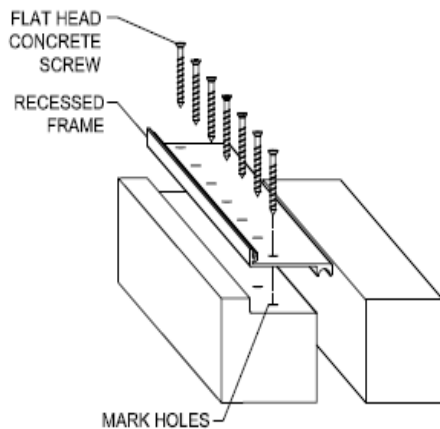


FIG. 2

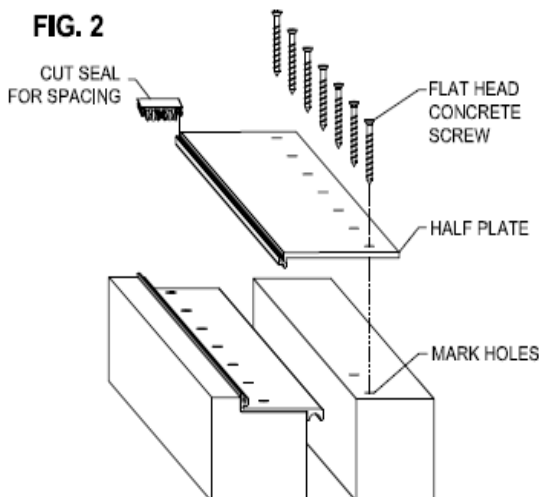


FIG. 3

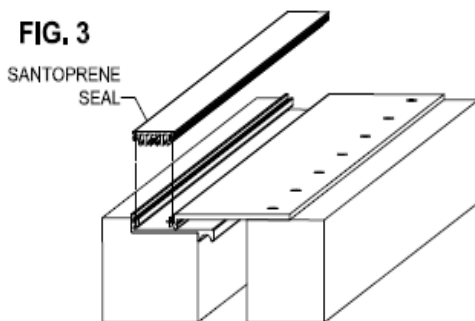
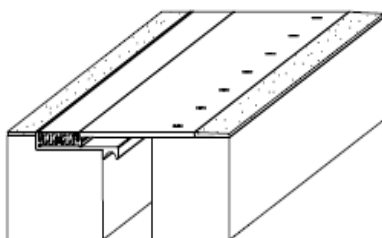


FIG. 4



1. Install the architectural joint system on a level surface within the blockout. Make sure the tops of the frames are level with the finished floor height. This may require

Figure 1

2. Cut the aluminium components to the desired length.
3. Place the recessed frame in the blockout so the protruding leg on the bottom of the frame is against the side of the structural gap.
4. Transfer the pre-drilled hole locations to the substrate.
5. Remove the frame from the blockout.
6. Drill holes in the blockout using 3/16" (5mm) concrete drill bit to 1 5/8" (42mm) depth.
7. Return the floor frame in position over the drilled hole locations and secure in place using one JK002 flat head concrete screws per hole.

Figure 2

8. Place the aluminium half plate firmly against the adjacent surface with base leg resting on the floor frame.
9. To properly space frames, cut three small 2" sections of seal. Insert one at each end and one in the center of each set of frames.
10. Mark the pre-drilled hole locations from the leg of the half plate on the floor substrate.
11. Remove the half plate and spacers, drill all marked using a 3/16" (5mm) drill bit, 2 1/2" (64mm) deep.
12. Return the half plate into position and secure using one JK002 flat head concrete screws per hole.

Figure 3

13. Insert the Santoprene seal into the recessed frame slots until the seal is flush with the top of the frame.

Note: To assist in installing the seal, use a soapy water solution to lubricate the seal. A small hard roller may help push the seal into the frame channel.

Figure 4

14. Complete the installation of the finish flooring.