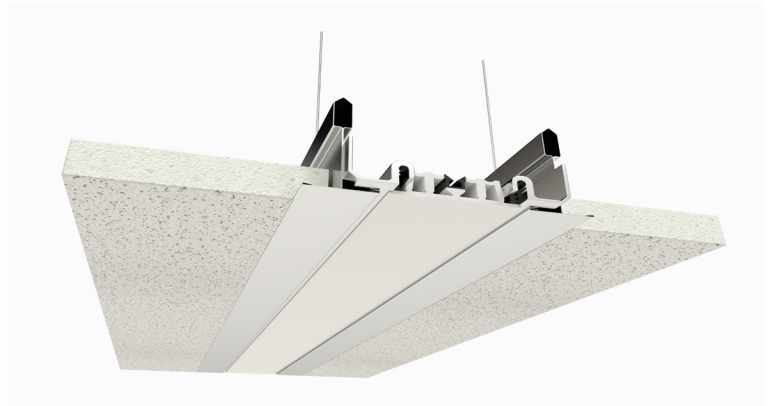


116 Series

A24 - Ceiling to Ceiling

A18 - Wall to Ceiling



Movement Rating ± 25%

Product
Guide



Thermal



Interior

- ▶ Model **116** frame pop rivets to T-Bar profile in suspended ceiling system.
- ▶ Addresses structural thermal movement requirements.
- ▶ Flat seal ceiling compliments our wall offerings.
- ▶ Standard and Custom seal colors available.
 - All seals achieve UL Environmental Greenguard Gold Certification for ultra low VOC's
- ▶ All flat seals are "UL Greenguard Gold Certified" for ultra low impact to indoor environmental quality.

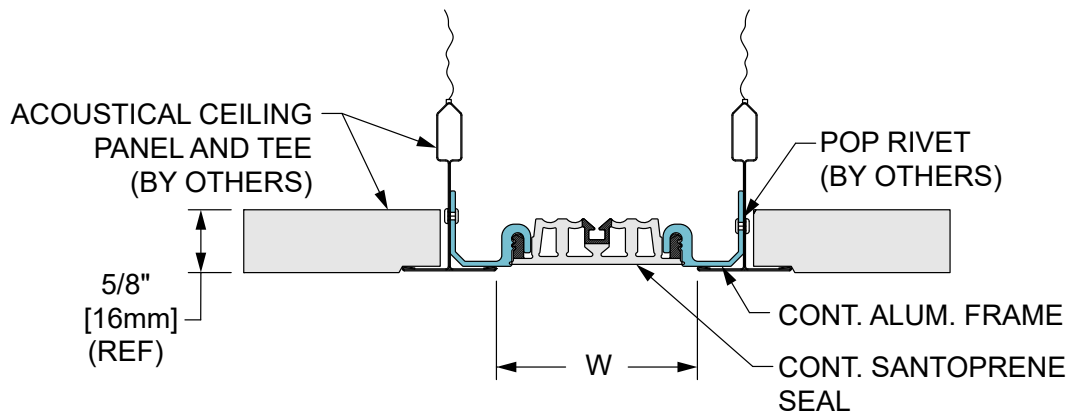
Application	System	W		H1		H2		S		B		Movement +/-			
		Joint Width		Frame Height 1		Height 2		Sightline		Blockout		Horizontal		Vertical	
		US	mm	US	mm	US	mm	US	mm	US	mm	US	mm	US	mm
Ceiling/Ceiling	116-A24-025	1"	25	*	*	*	*	1"	25	*	*	1/4"	6	1/4"	6
	116-A24-050	2"	51	*	*	*	*	2"	51	*	*	1/2"	13	1/2"	13
	116-A24-075	3"	76	*	*	*	*	3"	76	*	*	3/4"	19	3/4"	19
Wall/Ceiling	116-A18-025	1"	25	*	*	*	*	1"	25	*	*	1/4"	6	1/4"	6
	116-A18-050	2"	51	*	*	*	*	2"	51	*	*	1/2"	13	1/2"	13
	116-A18-075	3"	76	*	*	*	*	3"	76	*	*	3/4"	19	3/4"	19

IPC.3218/REV.2

116 Series

Flat Seal - Acoustical Ceiling Systems

116-A24
Ceiling/Ceiling
(2" (51mm) system shown)



116-A18
Ceiling/Wall
(2" (51mm) system shown)

