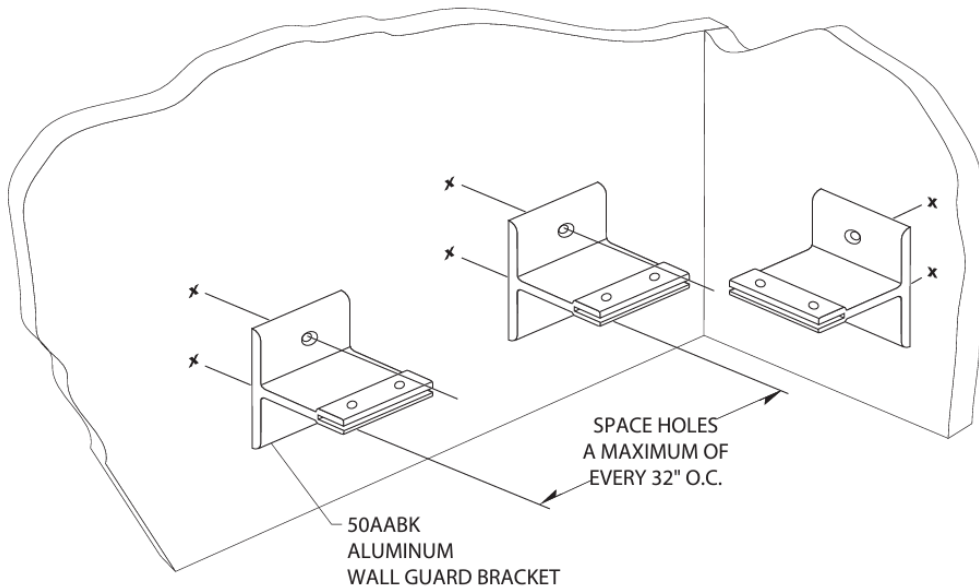


Installation Instructions

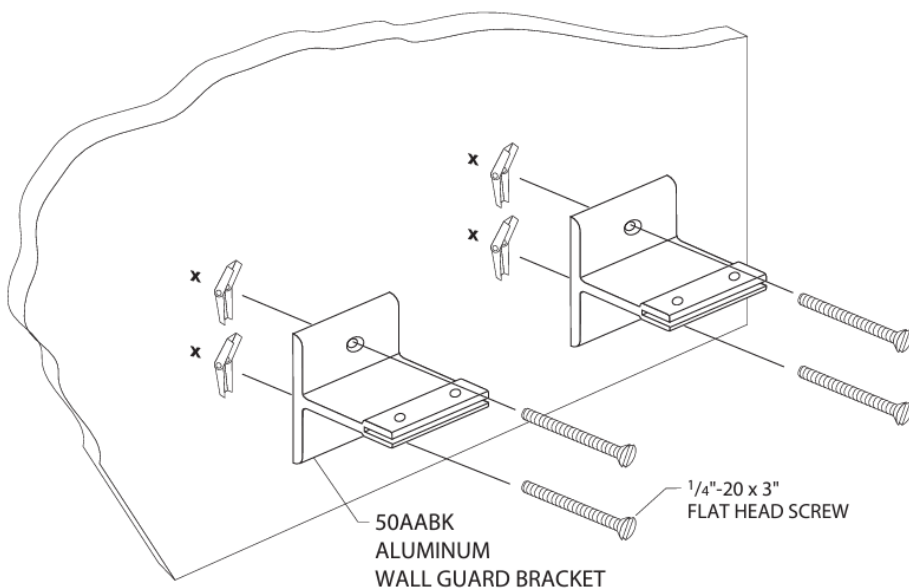
50AA Aluminium Wall Guard

Please read all instructions before installing wall guard.

1. Determine height of wall guard. Deduct 6mm and snap chalk line. Position top edge of bracket against chalk line. Transfer mounting holes to wall.

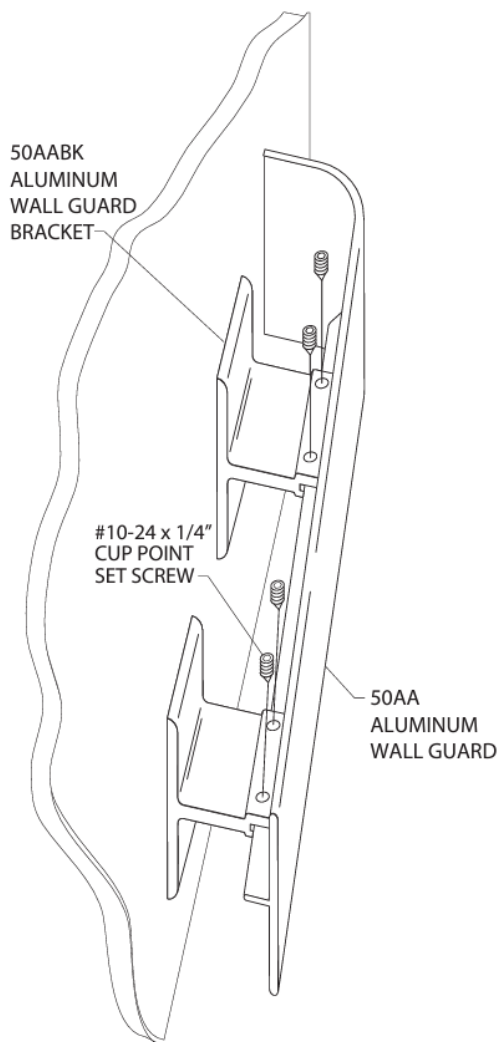


2. Drill marked holes with 19mm drill bit for toggle bolts (drywall installation) or 13mm drill bit for lead anchor (concrete wall installation). Mount brackets to wall, tighten screws to secure.



Installation Instructions

50AA Aluminium Wall Guard



3. Position wall guard into mounting brackets. Tighten the wall guard into the brackets with set screws.

Note: When joining two sections of wall guard, use a bracket. The mounting tab of each wall guard section slides halfway into the mounting slot.

