

Installation Instructions

TotalWrap Custom Door Frame Protection

Important

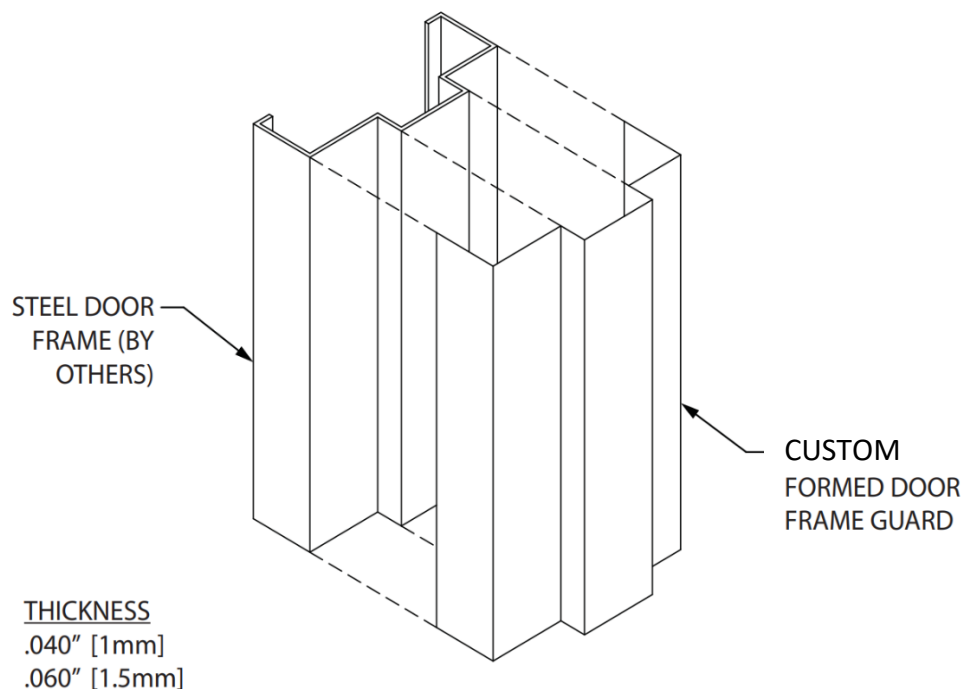
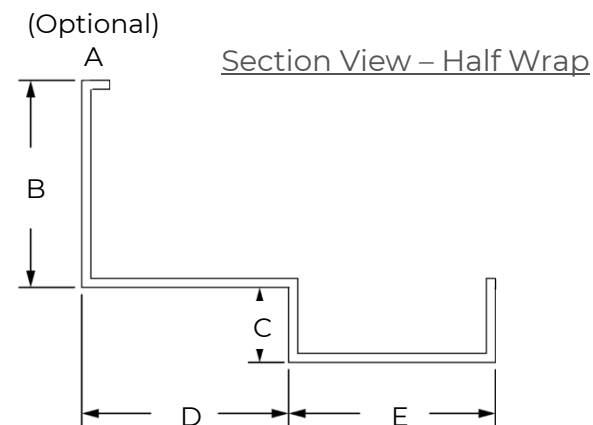
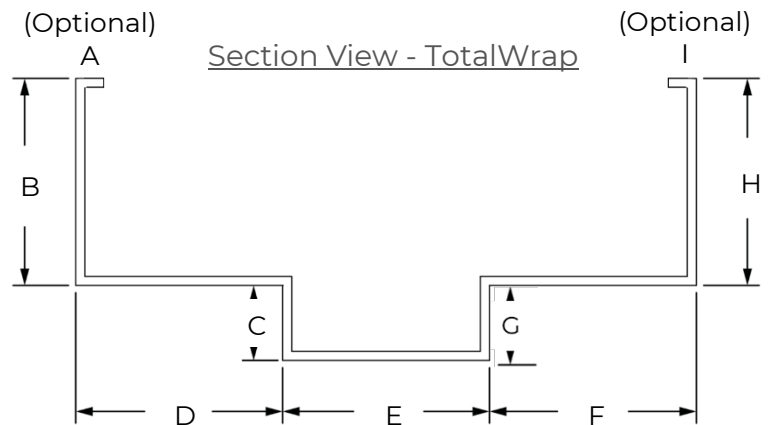
1. Acclimate materials 24 hrs before installation. Maintain temperature-controlled environment after installation.
2. Install in accordance with manufacturer's installation instructions. Failure to do so will void the warranty.

Installation tips

1. If trimming is necessary, cut covers up to 1.5mm longer to ensure a tight fit.

Recommended tools

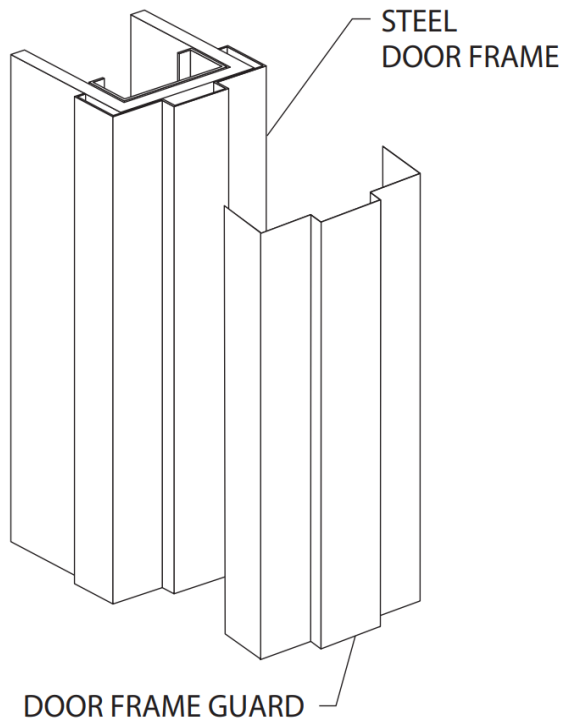
Safety Glasses, Tape Measure, Level, Power Drill, Drill Bits - (concrete/concrete block), Power Mitre Saw, 10" Blade with 60-80 Carbide Tipped Teeth



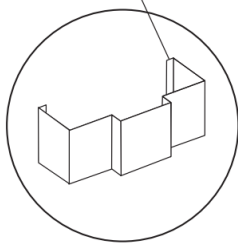
Installation Instructions

TotalWrap Custom Door Frame Protection

FIG. 1



LIP BEND AVAILABLE
HEIGHTS UP TO
8' 2.44m



1. Site Measure

Measure all door frame dimensions using a ruler. Round dimensions up to the closest millimetre. If required, Acculine can also provide a 2D template of the frame profiles to assist with confirmation of site measure sizes. Ensure that sizes provided to Acculine are tight site measure sizes, not door frame production drawings from the manufacturer, or measurements with additional tolerance added.

2. Installation

The door frame must be smooth, dry and free from dirt, dust, oil, loose paint, wax and grease. Dry fit Door Frame Protection to frame to check for a snug fit.

3. Apply silicone to the back of Door Frame Protection of door frame. To hold the Door Frame Protection onto the frame while the silicone dries, it is also a good idea to use a couple of strips of double-sided tape. Properly position the door frame guard on the frame. Press the door frame guard on the frame and apply pressure with an IPC extension roller. Roll entire surface to eliminate air pockets and ensure complete adhesion. SEE FIG. 1

4. Caulk the top edge of the door frame protector, using a sanitary silicone. This is important for infection control reasons and eliminates any minor gaps (within tolerance) between the door frame and door frame protector.

Installation Instructions

TotalWrap Custom Door Frame Protection

Door Frame Protectors are custom made to suit pressed metal door frames. Like any custom made product, it will be subject to manufacturing and site related tolerances (refer to tolerance guide provided). To ensure the best fit for your door frame protection, site measuring with a 2D template of the frame profile is recommended.

Tolerance Guide

Dimensions	Tolerance(mm)
A	N/A
B	+/- 2mm
C	+/- 1mm
D	+/- 1mm
E	+/- 1mm
F	+/- 1mm
G	+/- 1mm
H	+/- 2mm
I	N/A

Important Considerations

- Ensure that sufficient tolerance is allowed between the door frame and door leaves, when the door is hung, to allow for the thickness of the door frame protection. For full height door frame protection, a minimum 3mm gap is recommended and for half height door frame protection, a minimum of 2.5mm is recommended, to ensure there is no issues with the door leaf binding with the door frame protection
- Typically, half wraps are used on the hinge side of the door opening and full wraps are used on the latch/handle side of a door opening
- If your door frame protector is required to more than 900mm high and a full wrap is required, you will need to allow to notch around the door latch. This can be performed on site, or can be factory cut if measurements are provided
- Where full surround door frame protection is required (full height verticals and across the door frame header), the vertical and horizontal junctions should be caulked, with a caulk joint of no more than 5mm. Header frame protector should be made to size rather than trimmed on site. Vertical frame protectors should only be trimmed on the bottom edge, if required. Mitred joins are not recommended at junctions between vertical and horizontal frame protection.
- Where possible, all notching or cutting should be done during manufacture, from agreed sizes. Onsite notching is not recommended as a finishing detail. If onsite notching is required, mark the area that needs cutting and cut carefully using a stanley knife and straight edge, before the frame protection is installed. Caulk the cut edge using matching colour silicone.
- **NOTE:** On the hinge side of the door frame (unless the frame protection is half wrap), unscrew the hinges from the door frame and follow the same step as above. Once the door frame guard is applied, trim the opening for the hinge with a utility knife and reattach the hinge.