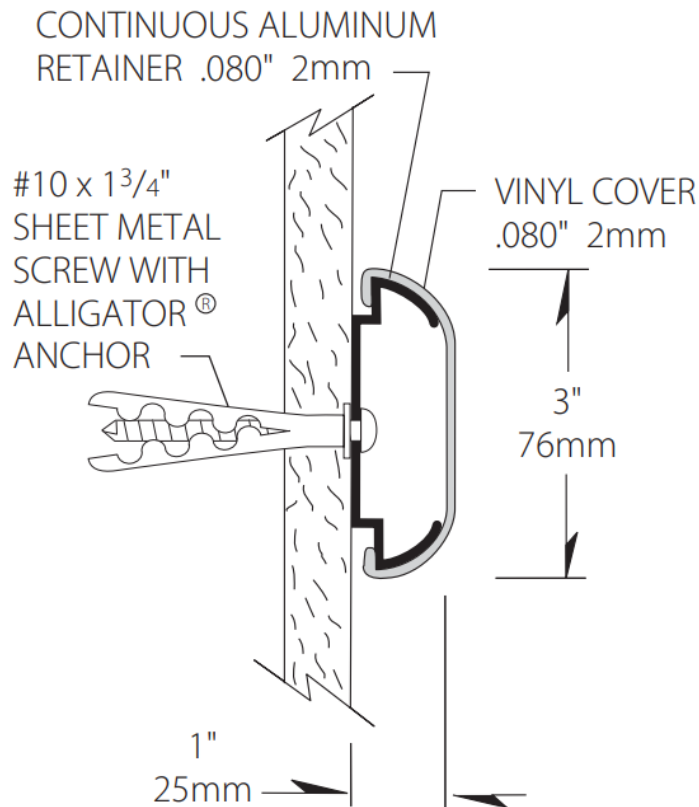


500 Series

Wall Guard



- 76mm of wall protection, extends 1" (25mm) from wall
- Optional rubber spacer extends an additional 13mm from wall
- Mounted on a sturdy 2mm thick, continuous aluminium retainer
- 2mm thick, scratch and stain resistant rigid vinyl cover
- Easy installation, clean-up and maintenance
- Manufactured in 3.66m standard lengths
- All mounting fasteners are included with each order
- Meets the most rigorous standards and criteria of chemical emissions as prescribed by the GREENGUARD Environmental Institute
- Has been tested and meets GREENGUARD Environmental Institute's and the state of California's requirements for low emitting products as tested by Air Quality Sciences
- Has been tested and meets the GREENGUARD Children & School chemical emissions levels

500 Series

Wall Guard

PART 1 - GENERAL

1.01 SUMMARY

A. Wall guard system for wall protection and decoration

1.02 SECTION INCLUDES

A. 500 Wall Guard System

1.03 REFERENCES

- A. American Society for Testing and Materials (ASTM)
- B. National Building Code of Canada (NBC)
- C. National Fire Protection Association (NFPA)
- D. Society of Automotive Engineers (SAE)
- E. Underwriters Laboratory (UL)
- F. Underwriters Laboratory of Canada (ULC)
- G. Uniform Building Code (UBC)

1.04 SYSTEM DESCRIPTION

A. Performance Requirements: Provide wall guard systems that conform to the following requirements of regulatory agencies and the quality control of IPC Door and Wall Protection Systems, InPro Corporation.

1. Fire Performance Characteristics: Provide UL Classified wall guards conforming with NFPA Class A fire rating. Surface burning characteristics, as determined by UL-723 (ASTM E-84), shall be flame spread of 10 and smoke development of 350 - 450. Provide ULC (Canada) listed wall guards conforming to the requirements of the National Building Code of Canada 2010, Subsection 3.1.13. Surface burning characteristics, as determined by CAN/ULC-S102.2, shall be flame spread of 15 and smoke developed of 35.
2. Self-Extinguishing: Provide wall guards with a CC1 classification, as tested in accordance with the procedures specified in ASTM D-635-74, Standard Test Method for Rate of Burning and/or Extent and Time of Burning of Self-Supporting Plastics in a Horizontal Position, as referenced in UBC 52-4-1988.
3. Impact Strength: Provide rigid vinyl profile materials that have an Impact Strength of 30.2 ft-lbs/inch of thickness as tested in accordance with the procedures specified in ASTM D-256-90b, Impact Resistance of Plastics.
4. Chemical and Stain Resistance: Provide wall guards that show resistance to stain when tested in accordance with applicable provisions of ASTM D-543.
5. GREENGUARD Certified: Provide GREENGUARD Certified material. Profiles shall meet the requirements of GREENGUARD Certification Standards for Low-Emitting Products and GREENGUARD Product Emission Standard for Children & Schools.
6. Fungal and Bacterial Resistance: Provide rigid vinyl that does not support fungal or bacterial growth as tested in accordance with ASTM G-21 and ASTM G-22.
7. Colour Consistency: Provide components matched in accordance with SAE J-1545 - (Delta E) with a colour difference no greater than 1.0 units using CIE Lab, CIE CMC, CIE LCh, Hunter Lab or similar colour space scale systems.

1.05 SUBMITTALS

A. Product Data: Manufacturer's printed product data for each type of wall guard specified.

B. Detail Drawings: Mounting details with the appropriate fasteners for specific project substrates.

C. Samples: Verification samples of wall guard, 203mm long, in full size profiles of each type and colour indicated.

D. Manufacturer's Installation Instruction: Printed installation instructions for each wall guard.

1.06 DELIVERY, STORAGE AND HANDLING

- A. Deliver materials in unopened factory packaging to the jobsite
- B. Inspect materials at delivery to assure that specified products have been received.
- C. Store in original packaging in a climate-controlled location away from direct sunlight.

1.07 PROJECT CONDITIONS

A. Environmental Requirements: Products must be installed in an interior climate-controlled environment.

1.08 WARRANTY

A. Standard IPC Limited Lifetime Warranty against material and manufacturing defects.

PART 2 - PRODUCTS

2.01 MANUFACTURER

- A. Acceptable Manufacturer: IPC Door and Wall Protection Systems, InPro Corporation, PO Box 406 Muskego, WI 53150USA; Telephone: 800.222.5556, Fax: 888.715.8407, www.inprocorp.com
- B. Substitutions: Not permitted
- C. Provide all wall guards and wall protection from a single source.

2.02 MANUFACTURED UNITS

- A. Wall Guard Profile
 1. 500 Wall Guard Profile, 76mm height x 25mm depth
 - Options: Curved wall guard, specify radius. Minimum radius - 0.91m.

2.03 MATERIALS

- A. Vinyl: Snap on cover of 2mm thickness shall be extruded from chemical and stain resistant polyvinyl chloride with the addition of impact modifiers. No plasticizers shall be added (plasticizers may aid in bacterial growth).
- B. Aluminium: Continuous aluminium retainer of 2mm thickness shall be fabricated from 6063-T5 aluminium, with a mill finish.

2.04 COMPONENTS

- A. End caps, outside corners and brackets shall be made of injection moulded thermoplastics.
- B. Fasteners: All mounting system accessories appropriate for substrates indicated on the drawings shall be provided.

2.05 FINISHES

- A. Vinyl Covers: Colours of the wall guard to be selected by the architect from the IPC finish selection. Surface shall have a pebble texture.
- B. Moulded Components: End caps, outside corners and brackets shall be of a colour matching the wall guards. Surface shall have a pebble texture.

PART 3 - EXECUTION

3.01 EXAMINATION

A. Examine areas and conditions in which the wall guard systems will be installed.

1. Complete all finishing operations, including painting, before beginning installation of wall guard system materials.
- B. Wall surface shall be dry and free from dirt, grease and loose paint.

3.02 PREPARATION

A. General: Prior to installation, clean substrate to remove dust, debris and loose particles.

3.03 INSTALLATION

- A. General: Locate the wall guard as indicated on the approved detail drawing for the appropriate substrate and in compliance with the IPC installation instructions. Install wall guard level and plumb at the height indicated on the drawings.
 - B. Installation of 500 Wall Guard:
 1. Cut the aluminium retainer to the desired length, allowing 40mm for each end cap, and 14mm for each outside corner.
 2. Using a 6mm drill bit, drill holes in the centerline of the aluminium retainer 102mm from each end and spaced evenly over the entire length (6 anchors per 3.66m length).
 3. Position and level the aluminium retainer on the wall, allowing for end caps and outside corners, and transfer mounting holes to the wall with a marker. Drill 6mm holes at each mark and position the ALLIGATOR anchors into the holes on the wall. Mount the retainer with #10 x 44mm Phillips pan head screws and tighten the screws to secure the retainer.
 4. Slide the end caps and outside corners onto the aluminium, leaving a 1.5mm gap for adjustments, and secure them by using one 32mm self-tapping screw per end cap or two per outside corner.
 5. Cut the vinyl cover to the distance between the end caps/outside corners. NOTE: Trim all factory edges square before installation. Position the vinyl cover on the aluminium retainer starting at one end and working to the other end by pushing the cover over the aluminium until it snaps into place.
- #### 3.04 CLEANING
- A. At completion of the installation, clean surfaces in accordance with the IPC clean-up and maintenance instructions.