

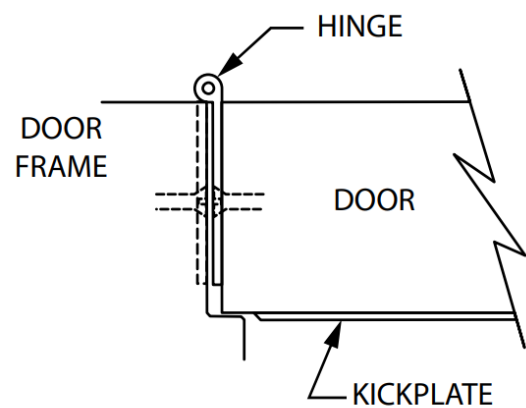
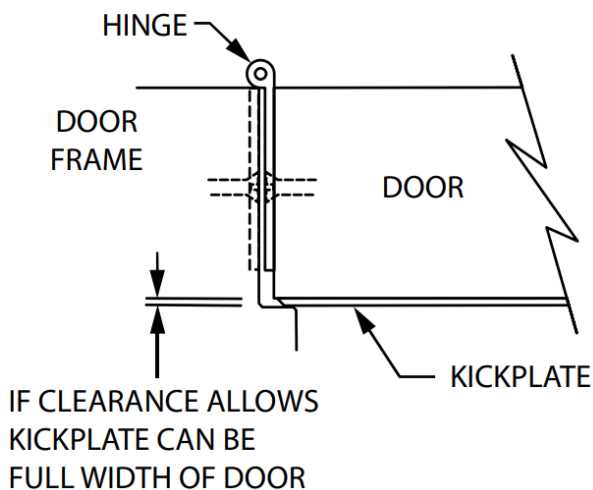
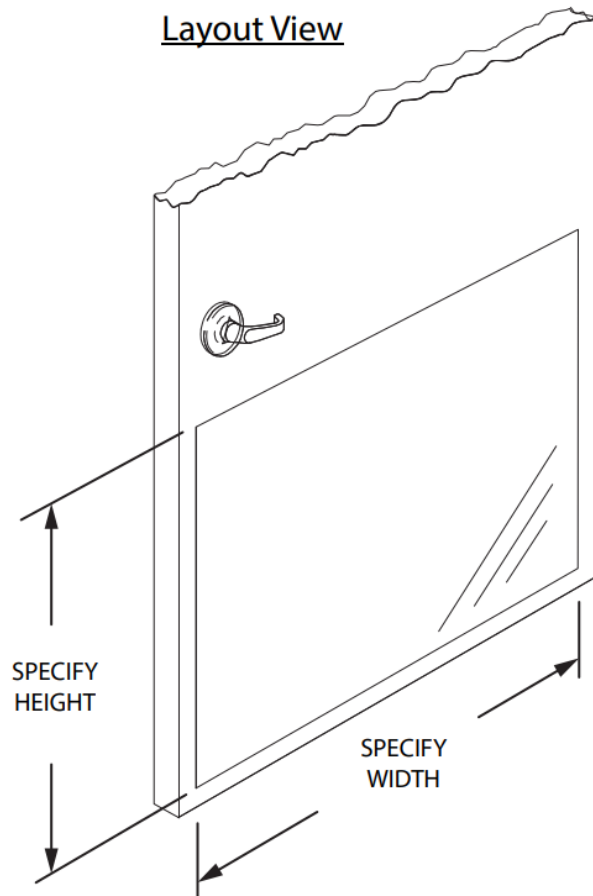
Installation Instructions

High Impact Corner Guards

Important

1. Acclimate materials 24 hrs before installation. Maintain temperature-controlled environment after installation
2. Install in accordance with manufacturer's installation instructions. Failure to do so will void the warranty.

Layout View



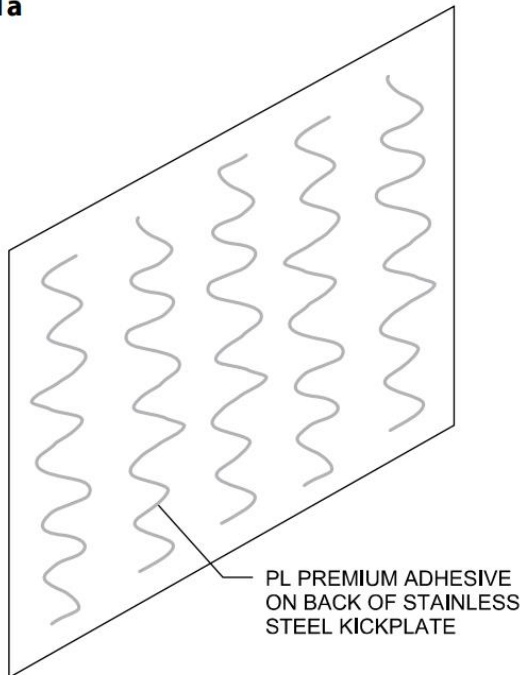
Recommended Tools

Safety Glasses, Tape Measure, Level, Power Drill, 6mm Socket, Drill Bits – 6mm masonry (concrete/concrete block), Power Mitre Saw, 254mm Blade with 60-80 Carbide Tipped Teeth

Installation Instructions

High Impact Corner Guards

FIG. 1a



1. The door surface must be dry and free of dirt, dust, oil, loose paint, wax and grease.

2. CEMENT-ON INSTALLATION

Apply a bead of PL Premium Heavy-Duty Adhesive in a zig-zag pattern over the back of the kickplate.

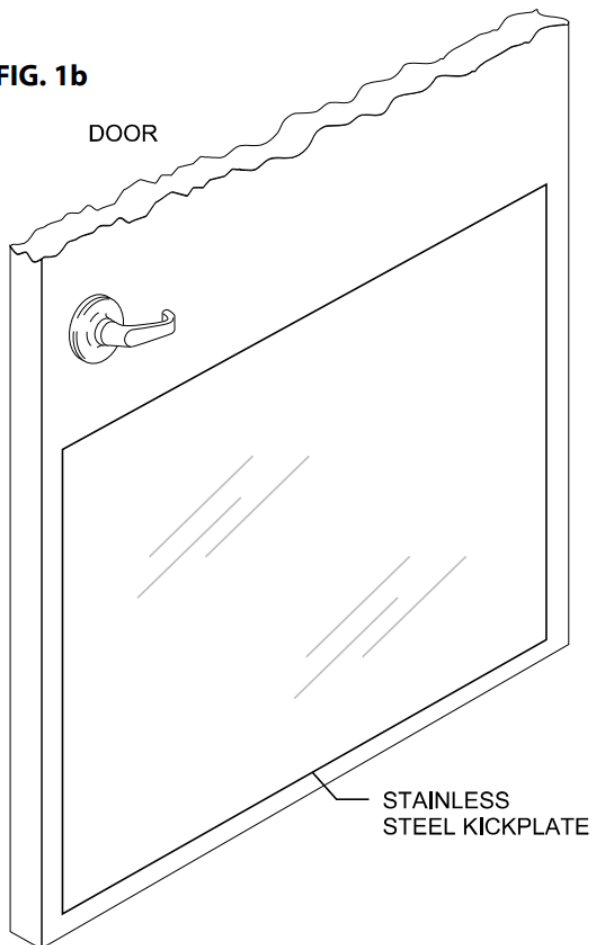
SEE FIG. 1a

Position the kickplate on the door and apply pressure until a tight fit is achieved. Painter's tape or clamping may be required to hold kickplate in position until the adhesive cures. Choose a tape that will not damage the doors' finish.

Remove the protective plastic coating from the exposed surface of the kickplate.

SEE FIG. 1b

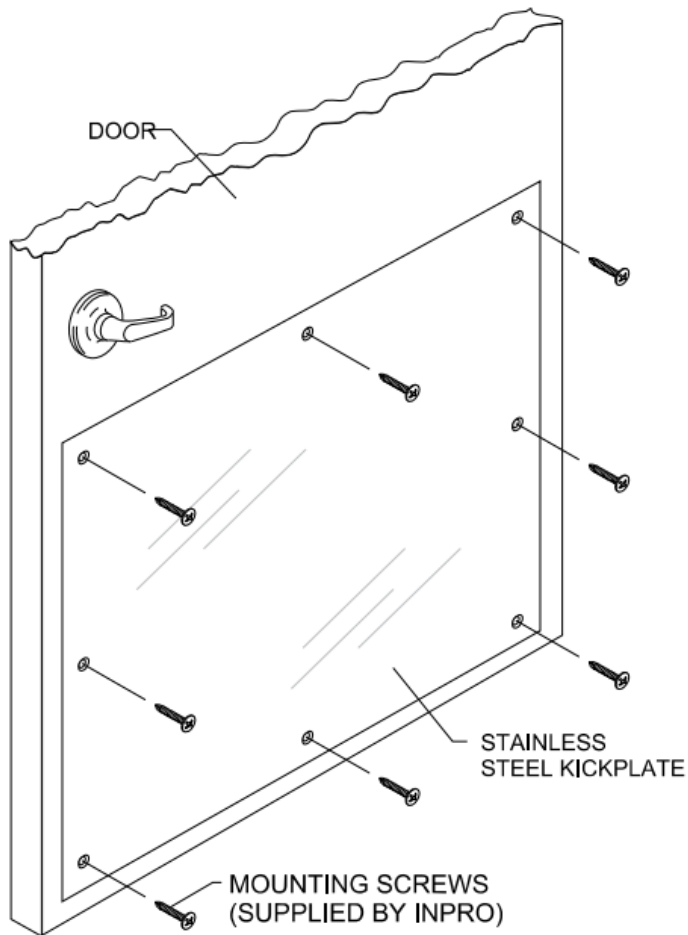
FIG. 1b



Installation Instructions

High Impact Corner Guards

FIG. 2



3. SCREW-ON INSTALLATION

Attach kickplate to door with provided hardware. Remove the protective plastic coating from the exposed surface of the kickplate. SEE FIG. 2