

# Installation Instructions

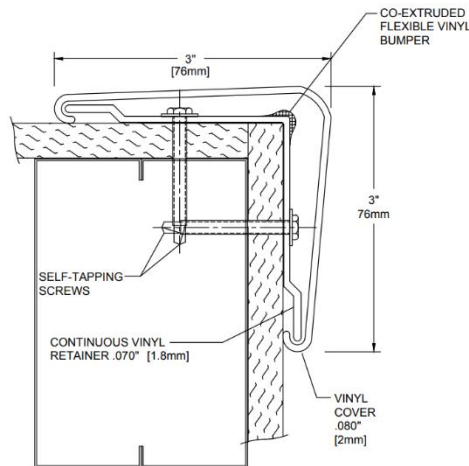
## High Impact Corner Guards – BluNose Retainer

### Important

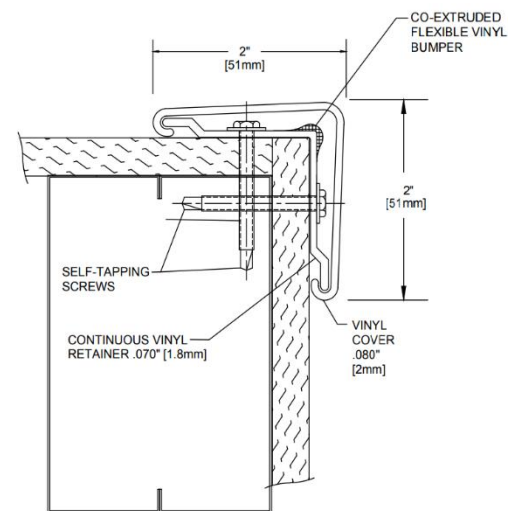
1. Acclimate materials 24 hrs before installation. Maintain temperature-controlled environment after installation
2. Install in accordance with manufacturer's installation instructions. Failure to do so will void the warranty.

### Installation tips

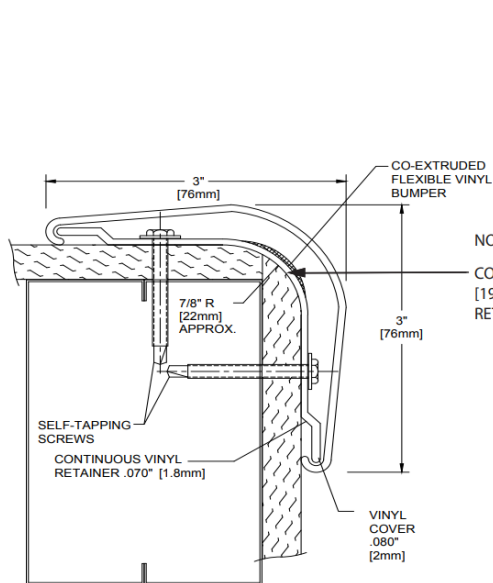
1. Cut covers up to 1.6mm longer to ensure a tight fit.



150BN CG

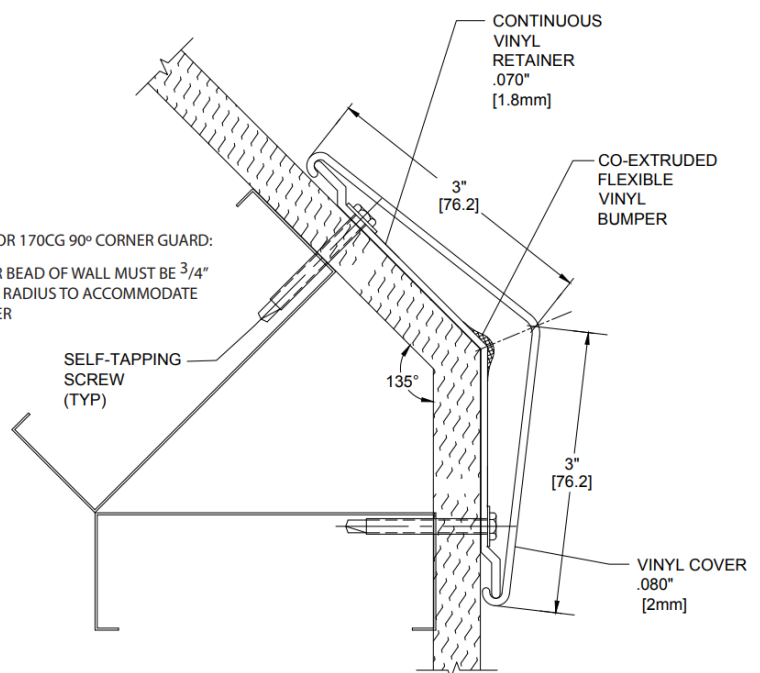


160BN CG



170BN CG

NOTE FOR 170CG 90° CORNER GUARD:  
CORNER BEAD OF WALL MUST BE 3/4" [19mm] RADIUS TO ACCOMMODATE RETAINER



130BN CG

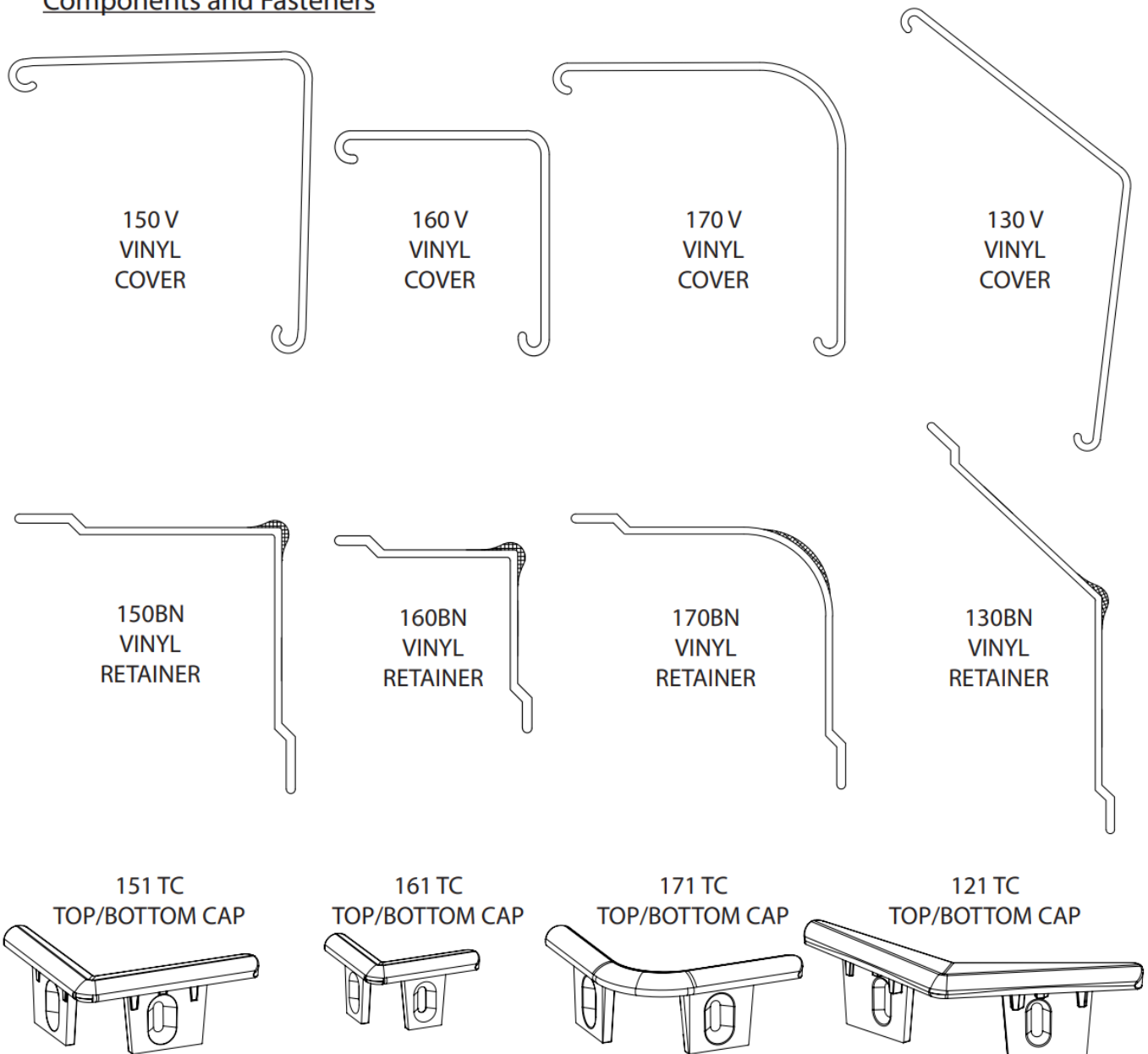
### Recommended Tools

Safety Glasses, Tape Measure, Level, Power Drill, 6mm Socket, Drill Bits – 6mm masonry (concrete/concrete block), Power Mitre Saw, 254mm Blade with 60-80 Carbide Tipped Teeth

# Installation Instructions

## High Impact Corner Guards – BluNose Retainer

### Components and Fasteners



Wall Condition	Specified Fasteners
Drywall/Wood	#8 x 32mm Phillips Flat-Head Self-Tapping Screw, #8 x 38mm Phillips Indented hex washer head self-drilling screw
Concrete/Concrete Block	#8 x 38mm Phillips Flat Head Sheet Metal Screw, #10 x 44mm Phillips Pan Head Sheet Metal Screw and 6mm Alligator Anchor

# Installation Instructions

## High Impact Corner Guards – BluNose Retainer

---

### Exploded View assembly

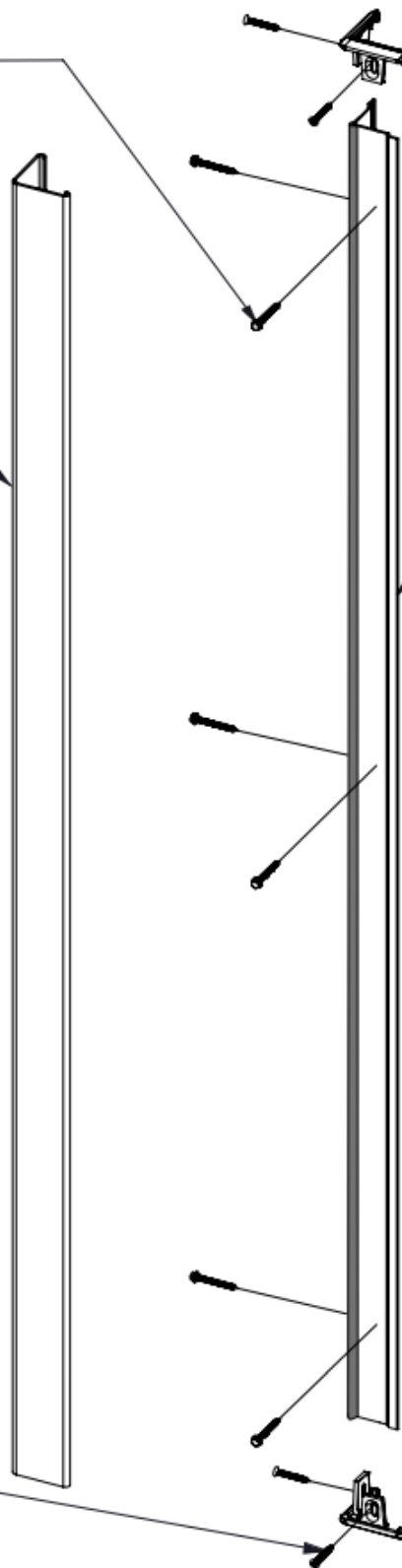
#8 X 1 1/2" PHILLIPS  
INDENTED HEX WASHER  
SELF-DRILLING SCREW

TOP/BOTTOM CAP

VINYL  
COVER

VINYL  
RETAINER

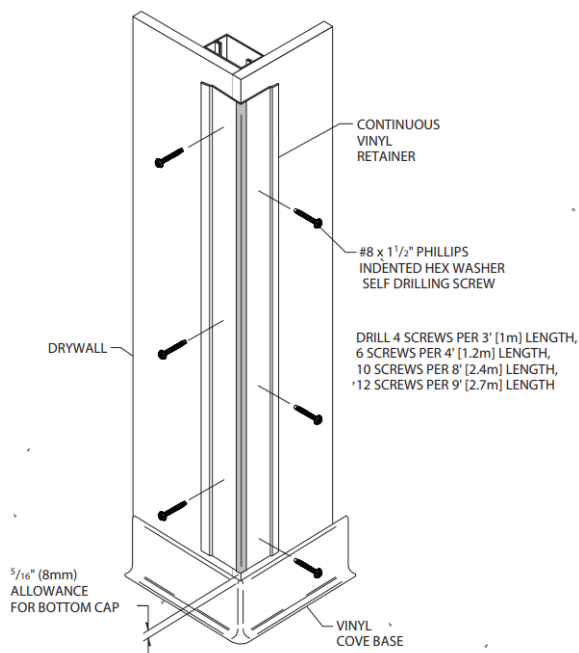
#8 X 1 1/4" PHILLIPS  
FLAT HEAD  
SELF-DRILLING  
SCREWS



# Installation Instructions

## High Impact Corner Guards – BluNose Retainer

FIG. 1

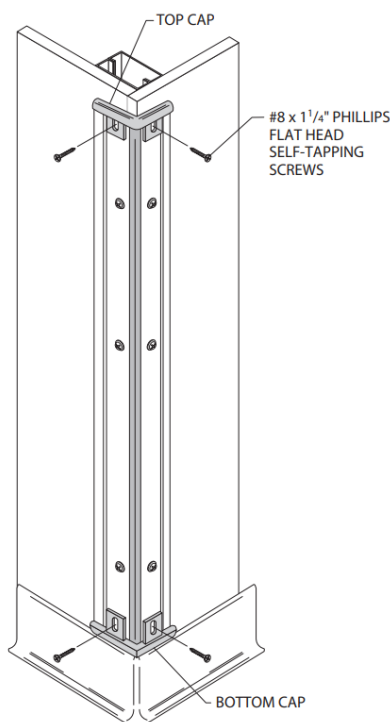


Please read all instructions before installing corner guards. Material must be stored, installed and used in environmentally controlled conditions.

1. Position vinyl retainer against wall, leaving allowance for bottom cap. Secure retainer to the wall by staggering fasteners on each wing of the retainer. See Figure 1.

Note for concrete installation: Use the slotted tabs on the top and bottom caps to transfer and drill 6.5mm holes into the ends of the retainer. Also drill 6.5mm holes staggered on each wing of the retainer. Drill 4 holes per 914mm length, 6 holes per 1220mm length, 10 holes per 2440mm length or 12 holes per 2743mm length. Transfer the location of the mounting holes to the wall. Drill marked holes on wall using a 6mm drill bit and position Alligator anchors into holes. Mount retainer on wall with #10 x 44mm Phillips pan head screws and tighten to secure.

FIG. 2



Note for 170BN Blunose 90° Bullnose Corner Guard: Corner bead of wall must be 19mm radius to accommodate retainer.

2. Overlap the retainer with the mounting tabs of the top and bottom caps and attach them to retainer. Stagger the fasteners on each wing of the cap. See Figure 2.

When installing flexible top caps on custom angle corner guards, use cup washers and flat head screws to fasten the top caps to the retainer. See Figure 2a.

Note for concrete installation: Overlap the retainer with the mounting tabs of the top and bottom caps and attach them to retainer and into the Alligator anchors using two, #8 x 38mm Phillips flat head screws per cap.

FIG. 2a

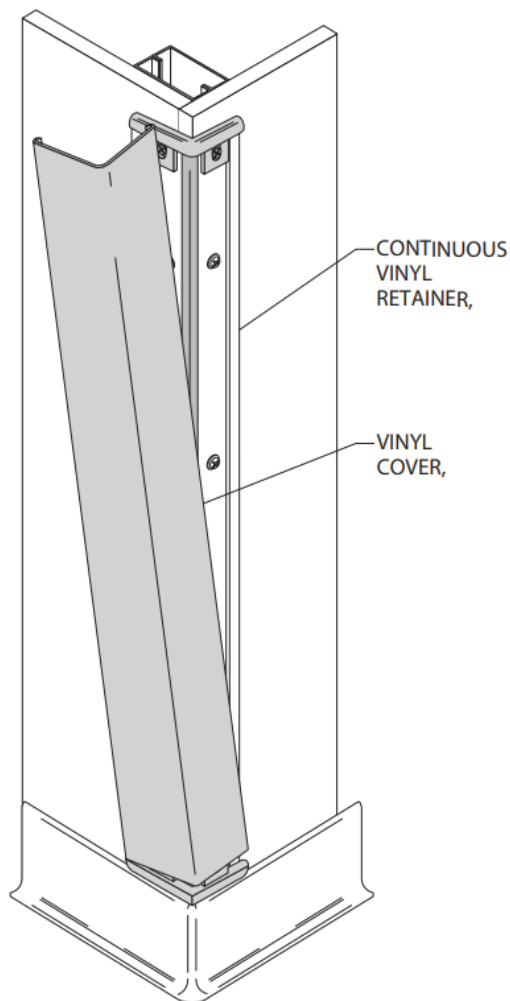


# Installation Instructions

## High Impact Corner Guards – BluNose Retainer

---

FIG. 3



3. Position cover on retainer and adjust the top cap for a tight fit. Starting at the top, push cover onto retainer pressing over the entire length until it snaps into place.

See Figure 3.