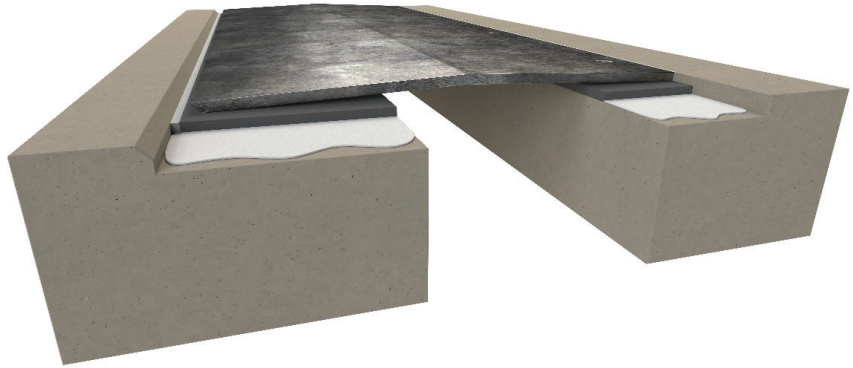


797 Series

G01 - Vehicular Traffic
Deck to Deck



Movement Rating $\pm 50\%$

Product Guide



Seismic

Exterior

Interior

Heavy Duty

Fire Rated Option

Vapor Barrier Option

ADA

- ▶ Seismic cover plate system designed to meet the needs of structures open to the elements and vehicular loading.
- ▶ Heavy duty system uses a thick high strength plate and crowned profile for increased load resistance.
 - ▶ Materials handling equipment
 - ▶ Forklifts/Scissorlifts/Cherry pickers
 - ▶ High frequency (low speed) entry points for vehicular traffic
 - ▶ Class 1-4 DOT classified heavy duty vehicles
- ▶ Galvanized A36 steel and optional Stainless Steel plates meet stringent loading needs.
- ▶ Plates are compliant with ADA requirements, and allows for a smooth transition over the joint.
- ▶ Shallow blockout ensures no interference with the rebar / cabling structure.
- ▶ High durometer EPDM pads absorb traffic vibrations and act as a noise dampening device.
- ▶ Multiple waterproofing options exist for use in conjunction with this system.
- ▶ SS epoxy drop-in hardware included.
- ▶ Movement options for up to $\pm 100\%$ available.
- ▶ System designed for areas of low speed traffic (5-10 mph)

Application	System	W		H		S		B		B1		Movement +/-			
		Joint Width		Height		Sightline		Blockout		Anchored Blockout		Horizontal		Vertical	
		US	mm	US	mm	US	mm	US	mm			US	mm	US	mm
Floor to Floor	797-G01-100	4"	100	3/4"	19	11 1/4"	286	3 7/8"	98	3"	76	2"	51	1"	25
	797-G01-150	6"	150	3/4"	19	16 1/4"	413	5 7/8"	149	4"	102	3"	76	1"	25
	797-G01-200	8"	200	3/4"	19	19 1/4"	489	6 7/8"	175	4"	102	4"	102	1"	25
	797-G01-250	10"	250	3/4"	19	22 1/4"	565	7 7/8"	200	4"	102	5"	127	1"	25
	797-G01-300	12"	300	7/8"	22	27 3/8"	695	9"	229	6"	152	6"	152	1"	25
	797-G01-450	18"	450	7/8"	22	36 3/8"	924	12"	305	6"	152	9"	229	1"	25
	797-G01-600	24"	600	7/8"	22	45 3/8"	1153	15"	381	6"	152	12"	305	1"	25

*Available in custom widths, please contact InPro Corporation for more details.

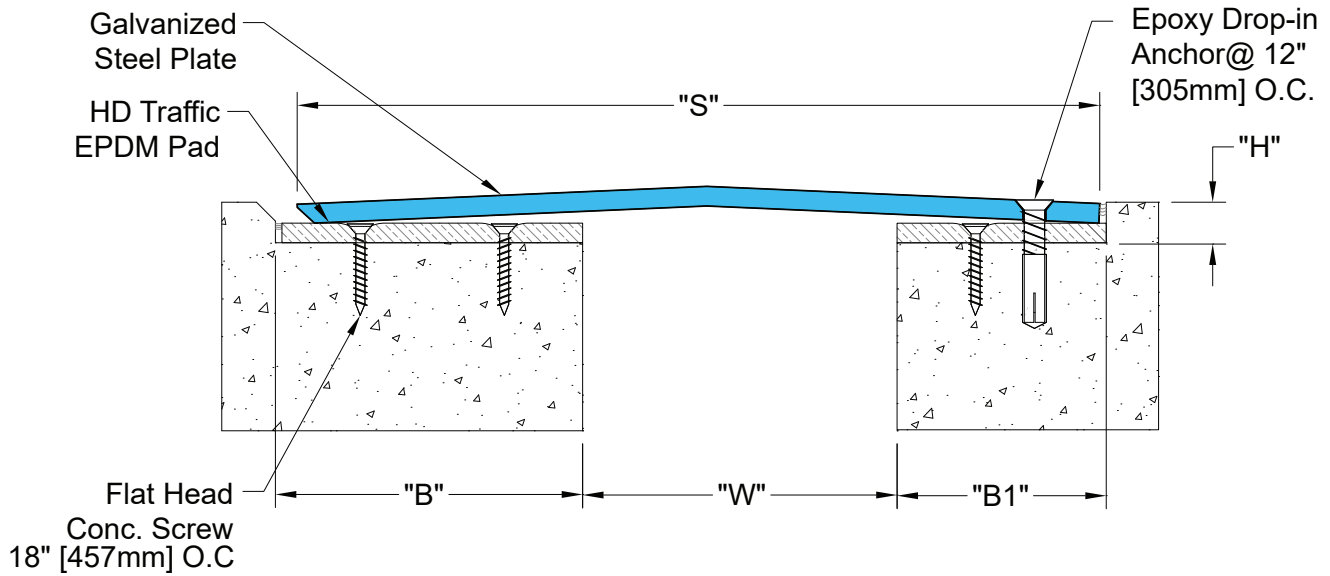
*Contact your InPro Representative for project specific loading capabilities.

IPC.2042/REV.9

797 Series

Heavy Duty Seismic Floor Systems

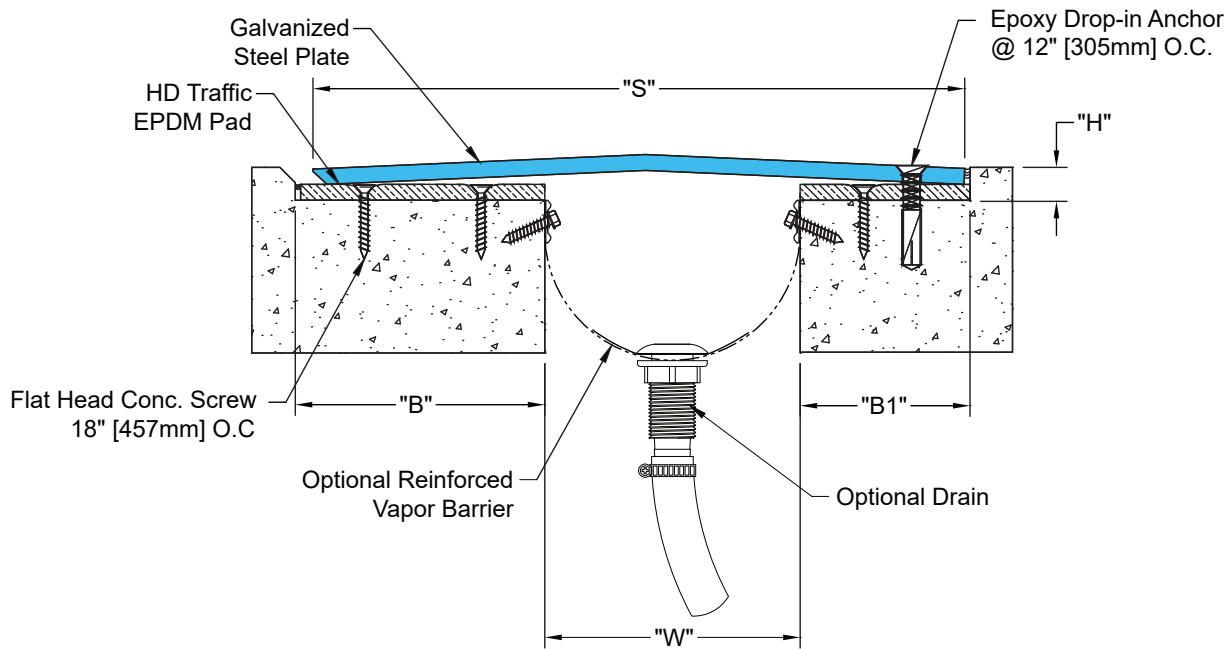
797-G01 Floor/Floor
(6" [150mm] system shown)



797 Series

Options

797-G01 Floor/Floor w/ Reinforced Moisture Barrier and Optional Drain Tube Assembly (6" [150mm] system shown)



797-G01 Floor/Floor With Water Guard and Optional Drain Tube (6" [150mm] system shown)

