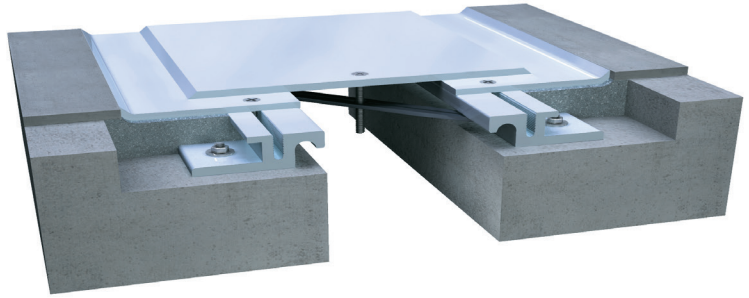


721/723/725 Series

A01 - Floor to Floor

A02 - Floor to Wall



Movement Rating ± 50%

Product
Guide



Seismic



Exterior



Interior



Heavy Duty



Fire Rated
Option



Vapor Barrier
Option

- ▶ 3/8" (9.6mm) thick aluminum coverplate for heavy duty load capability in interior or exterior applications
- ▶ Ideal system for stadium, warehouses, trolley access, etc.
- ▶ Seismic capable with centerbar system (up to 100%+-)
- ▶ Optional moisture barrier available
- ▶ 721 offers mill finish standard, brushed or bead blasted finishes also available
- ▶ 721 Series- All aluminum cover and wings
- ▶ 723 Series- Stainless steel cover with aluminum wings
- ▶ 725 Series- All stainless steel cover and wings

Application	System	W		H1		H2		S		B		Movement +/-			
		Joint Width		Frame Height 1		Height 2		Sightline		Blockout		Horizontal		Vertical	
		US	mm	US	mm	US	mm	US	mm	US	mm	US	mm	US	mm
Floor to Floor	721-A01-100	4"	102	1 1/2"	38	*	*	11 7/8"	301	4 11/16"	120	2	51	1"	25
	721-A01-150	6"	152	1 1/2"	38	*	*	14 7/8"	378	5 3/16"	132	3"	76	1 1/2"	38
	721-A01-200	8"	203	1 1/2"	38	*	*	17 7/8"	454	5 5/8"	143	4"	102	2"	51
	721-A01-250	10"	254	1 1/2"	38	*	*	19 7/8"	505	5 5/8"	143	5"	127	2 1/2"	64
	721-A01-300	12"	305	1 1/2"	38	*	*	24 7/8"	632	7 7/16"	189	6"	152	3"	76
	721-A01-400	16"	406	1 1/2"	38	*	*	30 7/8"	784	8 7/16"	214	8"	203	4"	102
	721-A01-450	18"	457	1 1/2"	38	*	*	33 7/8"	860	8 15/16"	227	9"	229	4 1/2"	114
Floor to Wall	721-A02-100	4"	102	1 1/2"	38	*	*	7 15/16"	201	4 11/16"	120	1"	25	1/2"	12.5
	721-A02-150	6"	152	1 1/2"	38	*	*	10 7/16"	265	5 3/16"	132	1 1/2"	38	3/4"	19
	721-A02-200	8"	203	1 1/2"	38	*	*	12 15/16"	328	5 5/8"	143	2"	51	1"	25
	721-A02-250	10"	254	1 1/2"	38	*	*	14 15/16"	379	5 5/8"	143	2 1/2"	64	1 1/4"	32
	721-A02-300	12"	305	1 1/2"	38	*	*	18 7/16"	468	7 7/16"	189	3"	76	1 1/2"	38
	721-A02-400	16"	406	1 1/2"	38	*	*	23 7/16"	595	8 7/16"	214	4"	102	2"	51
	721-A02-450	18"	457	1 1/2"	38	*	*	25 15/16"	659	8 15/16"	227	4 1/2"	114	2 1/4"	57

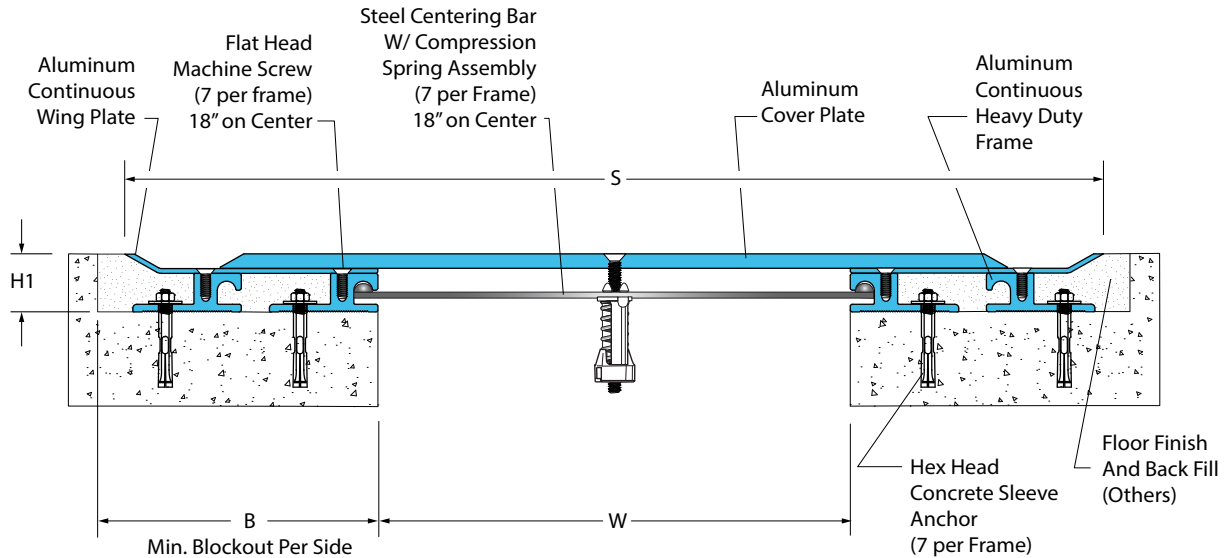
Available in larger widths, please contact InPro Corporation for more details.
Stainless steel plates for joint widths of 4" to 10" are 1/4" thick, 12" to 18" are standard 3/8" thick.

IPC.873/REV.13

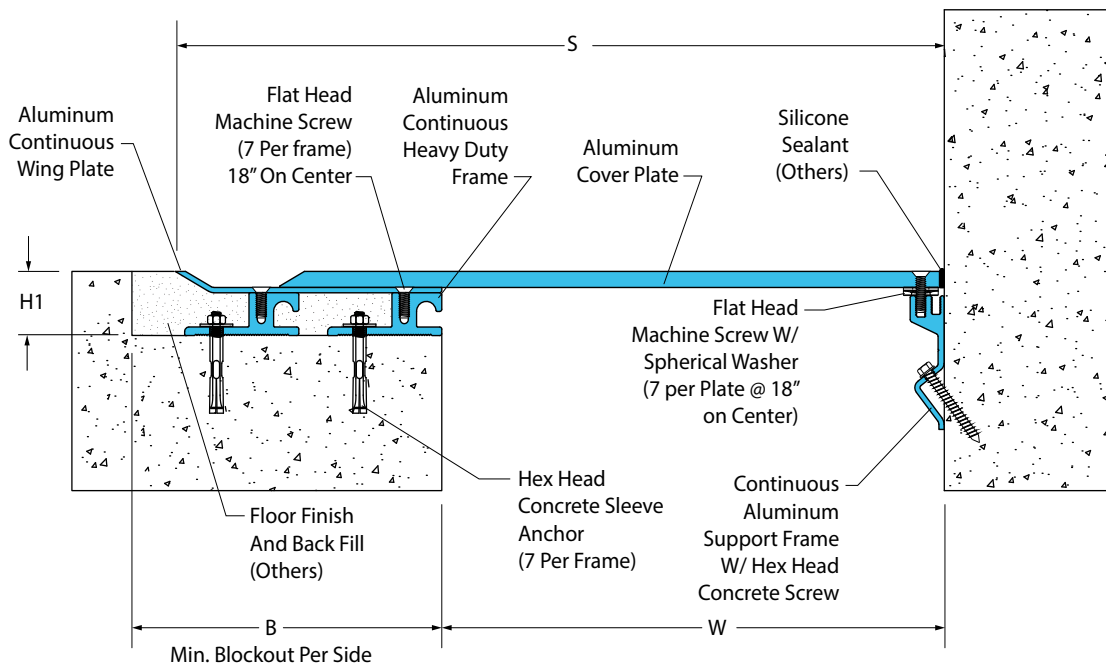
721/723/725 Series

Heavy Duty Center Bar Seismic Floor Systems

721-A01 Floor/Floor (12" (300mm) system shown)



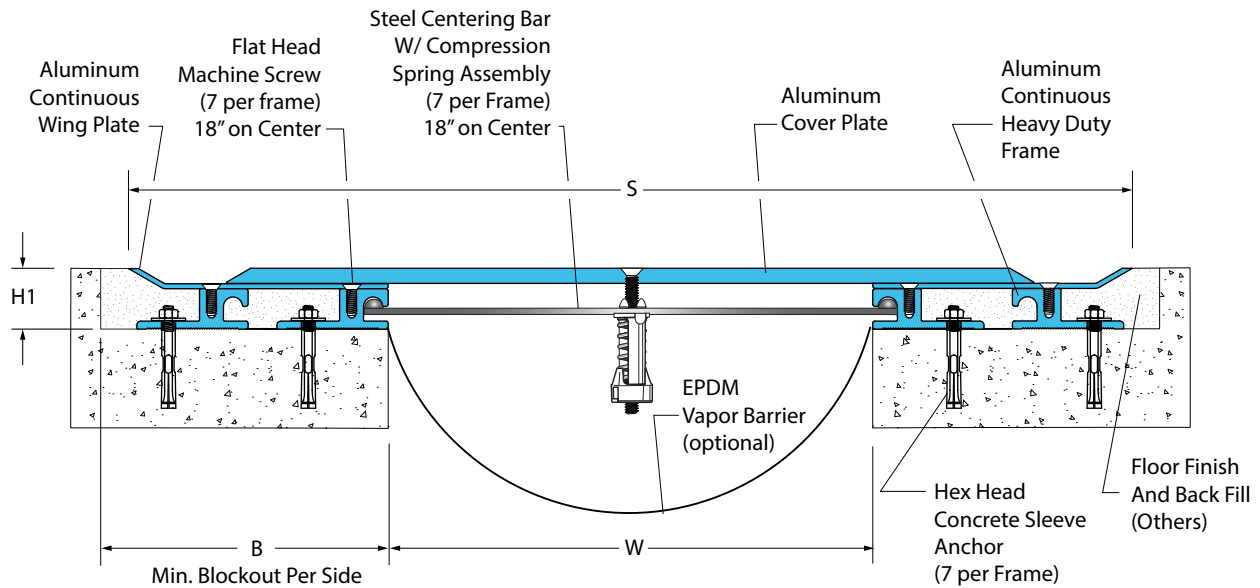
721-A02 Floor/Wall (12" (300mm) system shown)



721/723/725 Series

Options

Wrap Around Vapor Barrier (721-A01-300 system shown)



Fire Blanket System (721-A01-300 system shown)

