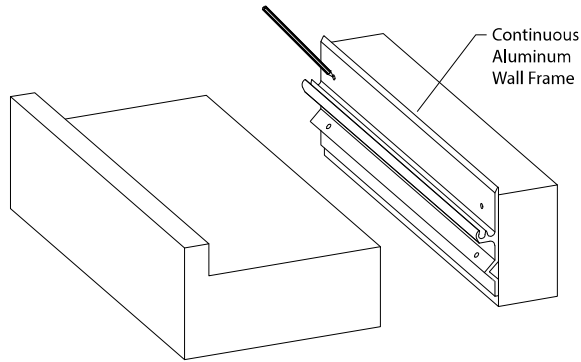


# Installation Instructions

## Joint System: 502-A01/A02

Note: Verify that the structural gap and blockout dimensions are in conformance with submittal data. A secondary blockout or "undercut" is also required to accommodate +/- 100% movement. Check dimensions with submittal data before beginning installation. If this is a Fire Rated Assembly, the fire barrier must be installed before the Architectural Joint System. Refer to the fire barrier instructions for specific system installation.

Fig 1



1. Install the architectural joint system on a level surface. To determine blockout depth, deduct the thickness of the floor finish from the frame height. This may require adding leveling compound to raise the tops of the frames.

2. Cut the aluminum components to the desired length.

Figure 1

3. Position the Aluminum Wall Frame in the structural gap at the appropriate height. Top of wall frame should be flush with top of finished floor.

4. Mark the top pre-drilled hole locations on the substrate and remove the Wall Frame from the structural gap. Drill all marked holes in the blockout using 3/16" [4.7mm] concrete drill bit to 1-1/2" [38mm] depth.

Figure 2

5. Return the frame to the structural gap so the pre-drilled frame holes line up over the drilled hole locations in the substrate. Secure the frame in place with a hex head concrete screw (JK001).

Figure 3

6. Using the pre-drilled hole locations as a guide, drill the lower row of holes using 3/16" [4.7mm] concrete drill bit to 1-1/2" [38mm] depth. Secure with a hex head concrete screws (JK001).

Fig 2

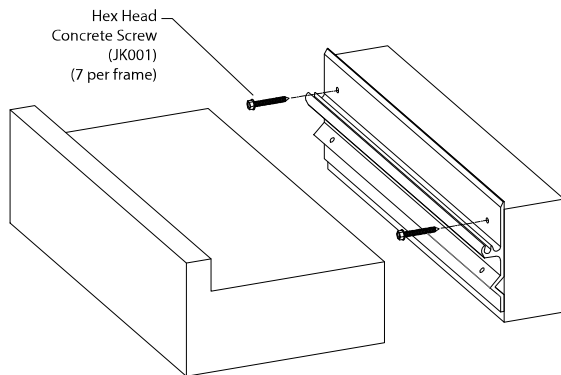
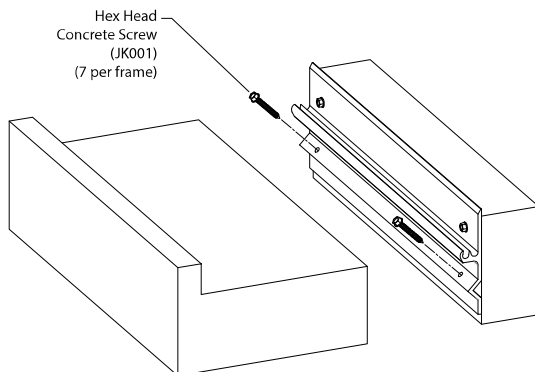


Fig 3



# Installation Instructions

Joint System: 502-A01/A02

Fig 4

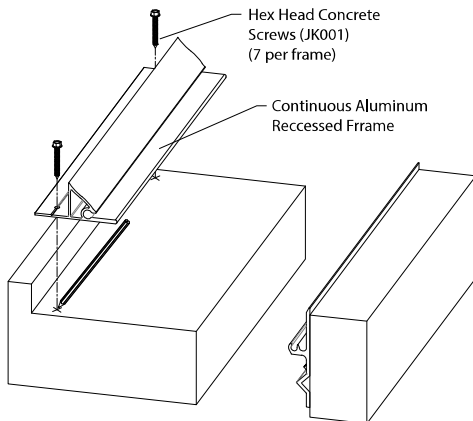


Figure 4

7. Position the Continuous Aluminum Recessed Frame into the block out and mark the pre-drilled hole locations on the substrate, remove the recessed frame from the blockout. Drill all marked holes in the blockout using a 3/16" [4.7] drill.

8. Return the recessed frame to the blockout so the pre-drilled frame holes line up over the drilled hole locations in the substrate. Secure the frames in place with JK001

Fig 5

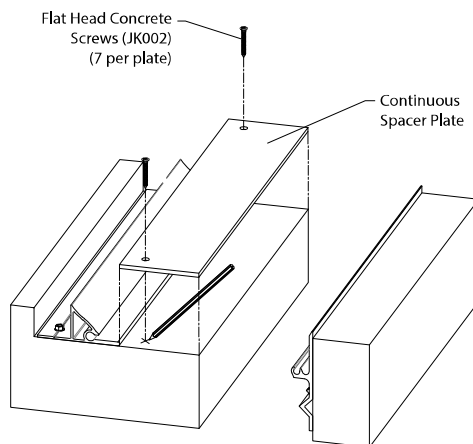


Figure 5

9. Position the Continuous Spacer Plate into the block out ensuring the offset holes are located away from the joint edge. Mark the pre-drilled hole locations on the substrate, remove the spacer plate from the blockout. Drill all marked hole locations in the blockout using a 1/8" [3.1mm] drill.

10. Return the spacer plate to the blockout so the pre-drilled frame holes line up over the drilled hole locations in the substrate. Secure the frames in place with JK001

Fig 6

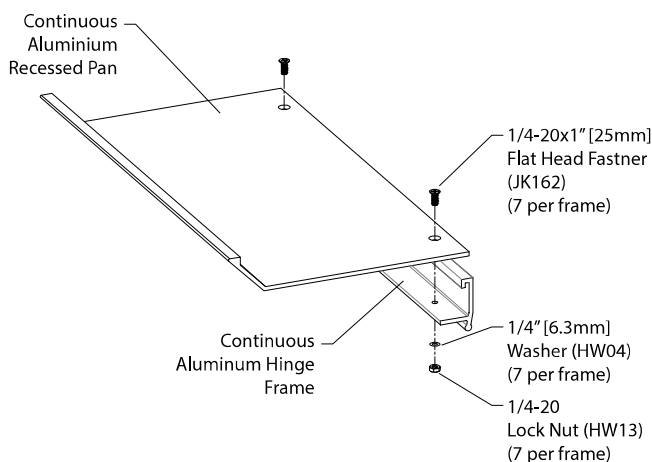


Figure 6

11. Assemble the Aluminum Pan Assembly; position counter sunk holes in the Continuous Aluminum Recessed Pan so they are aligned with the pre-drilled holes in the Continuous Aluminum Hinge Frame. Secure in place using 1/4-20x1" [25mm] Flat Head Fastener (JK162), 1/4" [6.3mm] Flat Washer (HW04) and Aluminum Lock Nut (HW13). Ensure the nut is tightly threaded on to the flat head fastener.

# Installation Instructions

Joint System: 502-A01/A02

Fig 7

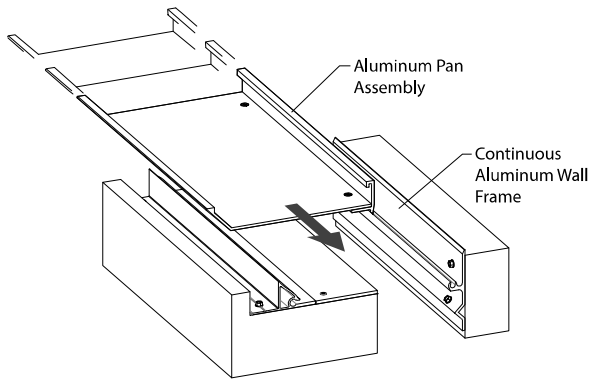


Figure 7

12. Slide Aluminum Pan Assembly into the Continuous aluminum wall frame.

Fig 8

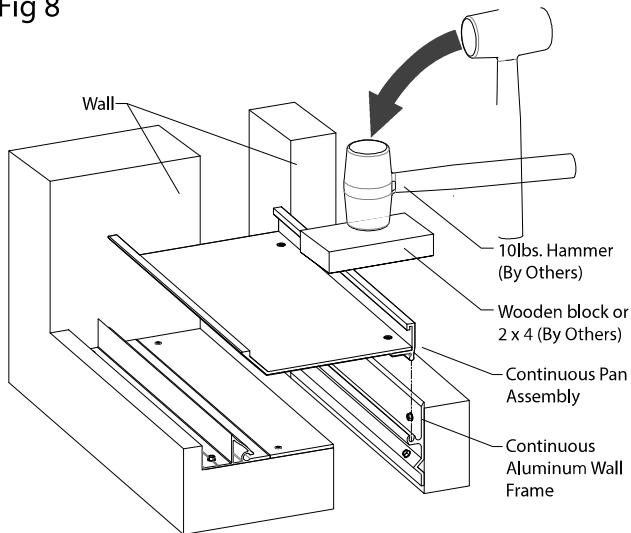


Figure 8

13. When reaching a wall during installation; spray the female hinge of the recessed frame using a silicone spray lubricant. Place the pan assembly into the joint, align the male portion on the Continuous Aluminum Hinged Frame to the female hinge of the recessed frame. Using a 10 pound hammer and board (to protect the frame), start at one end, hammer the frame of the continuous pan aluminum assembly into the slot until the entire length is secured in place.

Fig 9

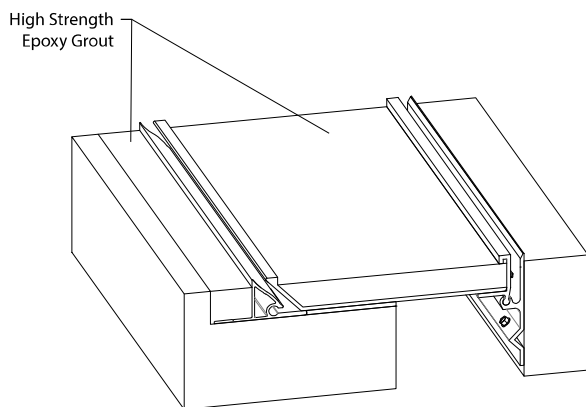


Figure 9

14. Backfill the blockout with high strength non-shrink epoxy grout (By Others). Install the floor finish level to the top of the frame.

# Installation Instructions

Joint System: 502-A01/A02

Fig 10

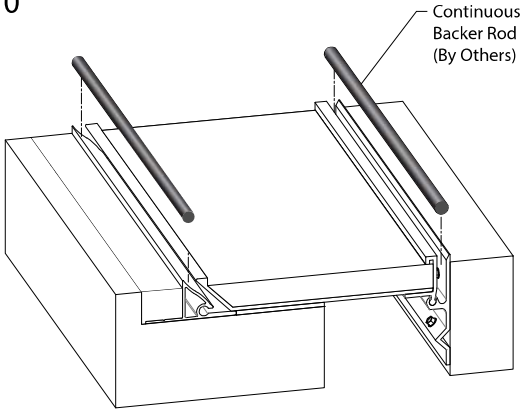


Figure 10

15. Insert backer rod gaps between both frames and pan to 1/4" [3mm] depth below the top of the frame.

Figure 11

16. Install sealant per the manufacturer's recommended instructions over the back rod until it is flush with the exposed tops of the frame and pan. Clean any excess sealant from the exposed surface immediately.

Fig 11

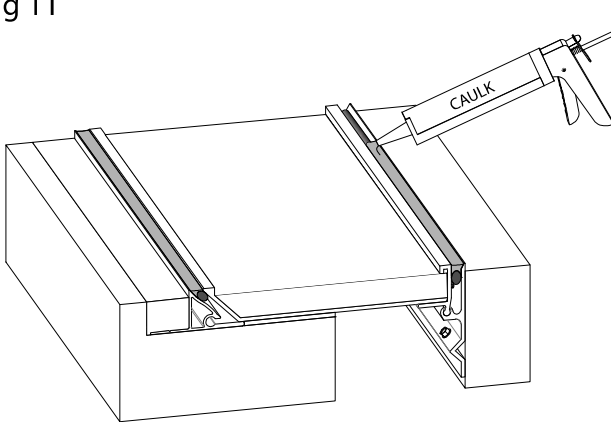
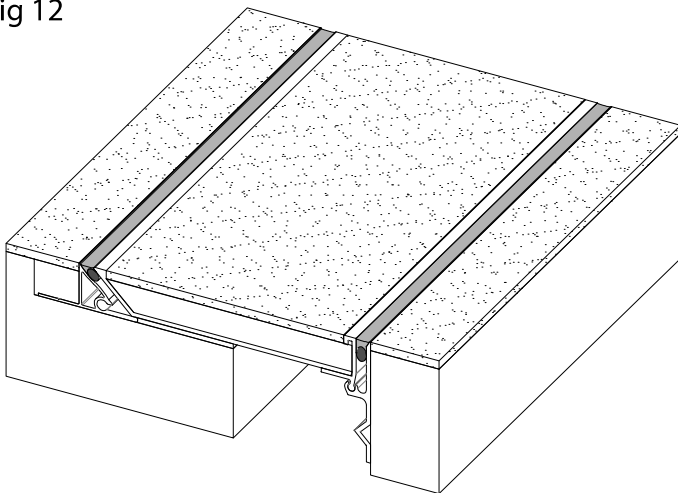


Figure 12

17. Backfill blockout and pan with epoxy grout. Install floor finish up to the edge of the frames.

18. Clean the exposed surfaces with a non-solvent cleaner such as 409, as required.

Fig 12



JOINTMASTER® Expansion Joint Systems

inpro.com • 800.222.5556 • 262.679.9010

World Headquarters S80 W18766 Apollo Drive, Muskego, WI 53150 USA

Installation Hotline: 866.394.6776

**inpro**®