

Installation Instructions

Joint System: 501-A02

Note: Verify that the structural gap and blockout dimensions are in conformance with submittal data. A secondary blockout or "undercut" is also required to accommodate +/- 100% movement. Check dimensions with submittal data before beginning installation. If this is a Fire Rated Assembly, the fire barrier must be installed before the Architectural Joint System. Refer to the fire barrier instructions for specific system installation.

Fig. 1

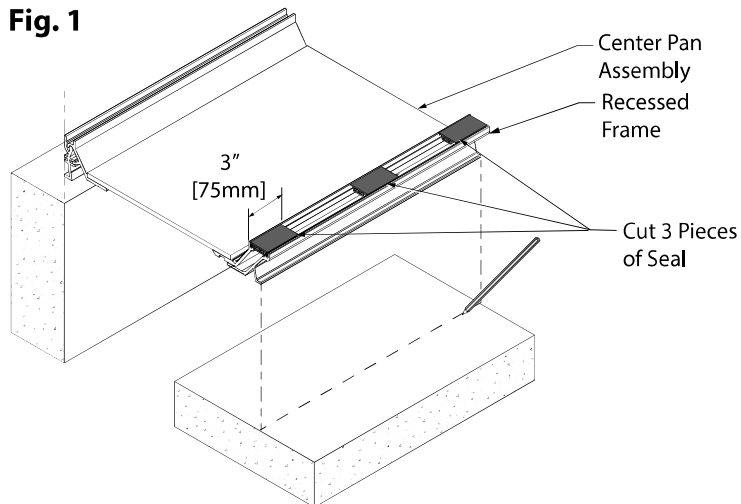


Fig. 2

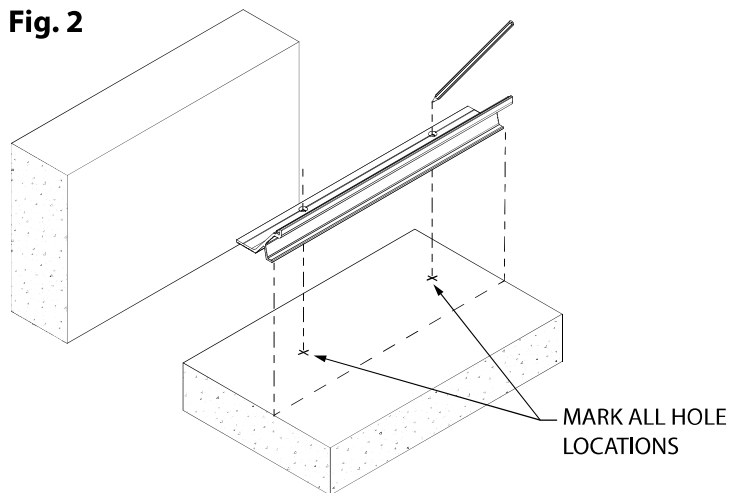


Figure 1

1. Install the architectural joint system on a level surface. To determine blockout depth, deduct the thickness of the floor finish from the frame height. This may require adding leveling compound to raise the tops of the frames.

2. Cut the aluminum components to the desired length.

3. Cut three, 3" [75mm] long pieces of compression seal material, and insert them into the center pan and recessed frames to properly space the frames.

4. To properly center the expansion joint system over the joint, pre-assemble system expansion joint system.

5. Position the system with the Hinged Wall Frame flush against the wall. Once the expansion joint system is centered over the expansion joint, mark the back edge of Recessed Frames.

Figure 2

6. Remove the expansion joint assembly from the joint opening. Re-position the recessed frames in-line with the lines on the substrate. After frames are in position mark the hardware locations on the concrete, using the pre-drilled holes on the Recessed Frame.

7. Remove the frames from the concrete and drill the hole locations using a 1/8" [3mm] drill bit.

IPC.844 / REV.5

JOINTMASTER® Expansion Joint Systems

inpro.com • 800.222.5556 • 262.679.9010

World Headquarters S80 W18766 Apollo Drive, Muskego, WI 53150 USA

Installation Hotline: 866.394.6776

inpro®

Installation Instructions

Joint System: 501-A02

Fig. 3

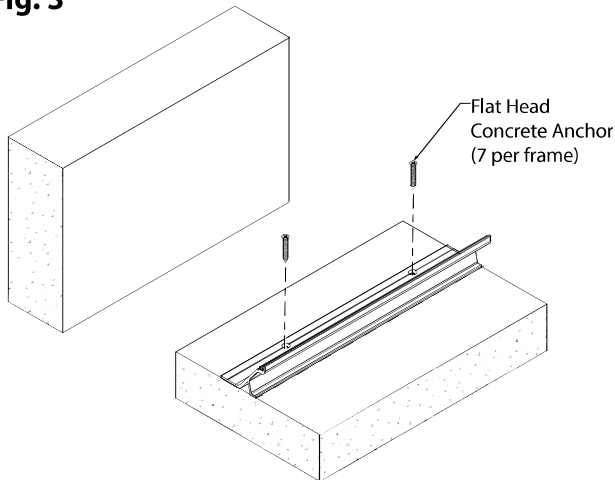


Fig. 4

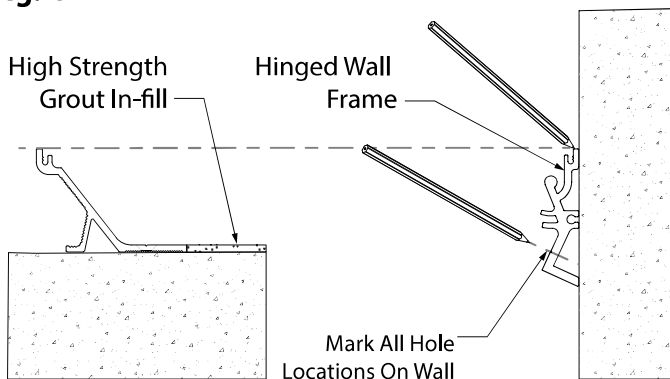


Fig. 5

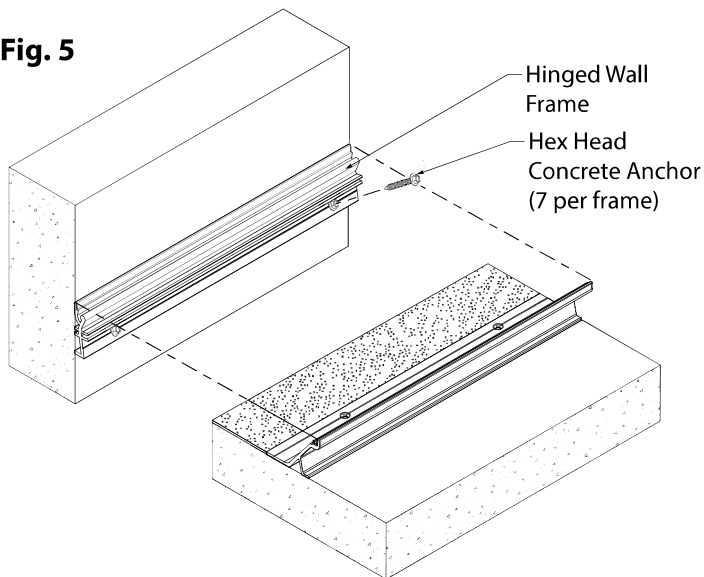


Figure 3

8. Return Recessed Frames to position and fasten in place using the supplied flat head concrete anchor.

NOTE: If a gap between the recessed pop-up frame and the edge of the joint is greater than 1", Inpro recommends in filling the gap with either high strength grout or shims.

Figure 4

9. Position the Hinged Wall Frame flush against the wall in the expansion joint opening. Ensure the top surface of the wall frame is level with the Recessed Floor Frame.

10. With the hinged wall frame level to the slab, mark a line wall parallel with the top edge of frame.

11. Using the pre-drilled frame holes, mark the hardware locations on the wall.

TIP: With the frame in place, drill a pilot hole with a 1/16" (1.5mm) drill bit.

Figure 5

12. Remove the Hinged Wall Frame from the joint opening, and drill the marked hole locations using a 1/8" (3mm) drill bit.

13. Return the Hinged Wall Frame to the wall, ensuring to align the top edge of the Hinged Wall Frame with the line on the wall.

14. Fasten the Hinged Wall Frame, using the supplied Hex Head Concrete Anchors.

Installation Instructions

Joint System: 501-A02

Fig. 6

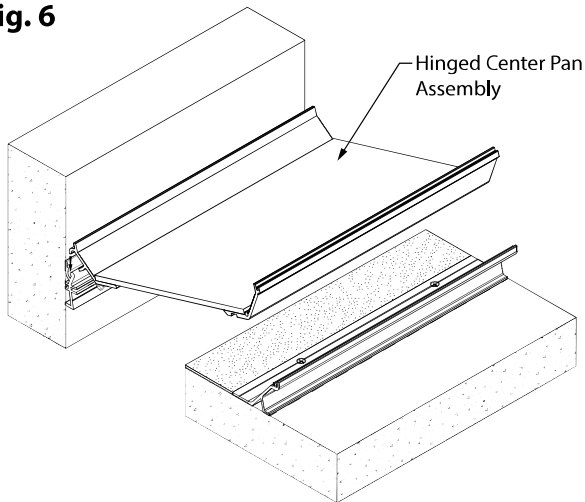


Figure 6

15. Position the Hinged Center Pan Assembly over the joint opening with the curved hinge side of the assembly near the wall. With the pan at an angle to the ground, drop the Hinged Center Pan frame into the Hinged Wall Frame.

16. Once the top hinge locks into place, slowly lower the front edge of the pan, until it rests on the Recessed Frame.

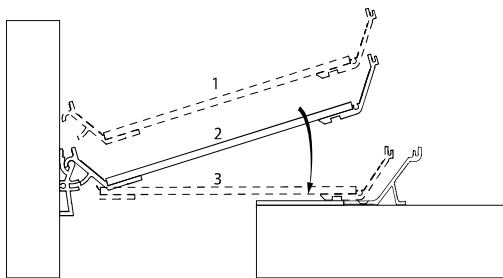


Figure 7

17. After installing the entire run of cover pans, and frames; install the Santoprene Seal in continuous lengths.

18. Fill gap between Hinged Wall Frame, and the Hinged Frame of the Center Pan Assembly using Silicone Caulk color matched to the Santoprene seal (Silicone Caulk supplied by others).

Fig. 7

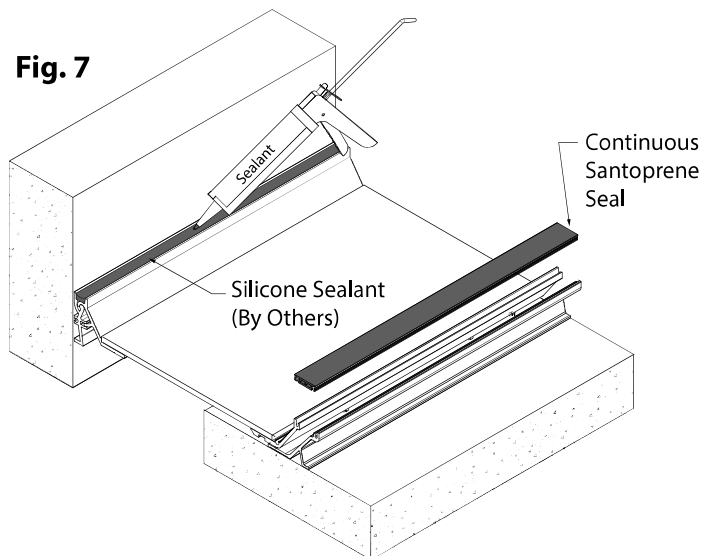


Figure 8

19. Backfill blockout and pan with epoxy grout. Install finished flooring. Ensure the top surface of the expansion joint is protected from industrial cleaning solutions and other chemicals during installation of flooring.

