

516-A01-050

JOINT WIDTH		MOVEMENT ±			
		HORIZONTAL		VERTICAL	
US	mm	US	mm	US	mm
2"	51	1"	25	1"	25

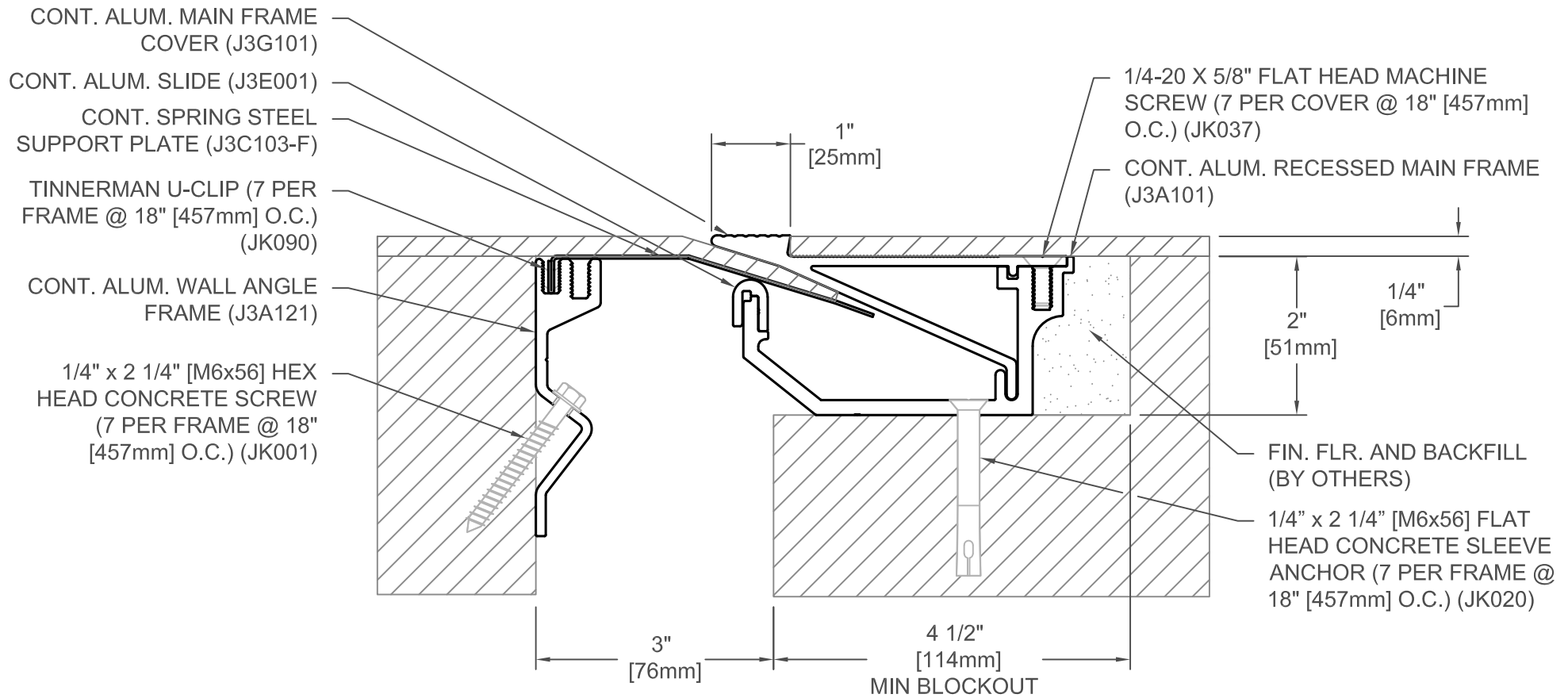
FINISH: MILL
PROJECT:
CUSTOMER:
LOCATION:

APPLICATION-
SINGLE SIGHTLINE
FLOOR/FLOOR CONDITION

DATE:	4-11-05
SCALE:	1:2
DOC:	CADJM.112/R3



For More Information Visit: Inprocorp.com



516-A01-075

JOINT WIDTH		MOVEMENT ±			
		HORIZONTAL		VERTICAL	
US	mm	US	mm	US	mm
3"	76	1- 1/2"	38	1-1/2"	38

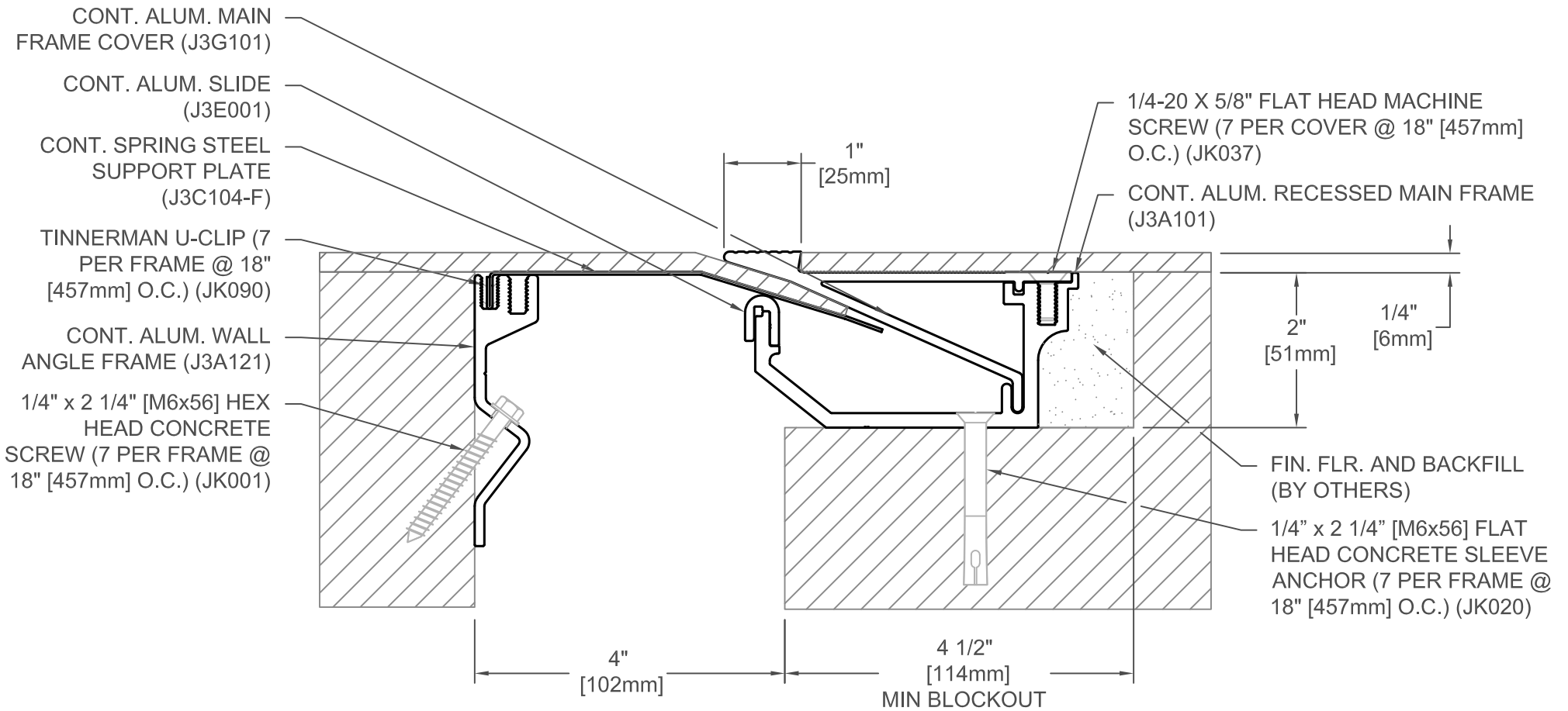
FINISH: MILL
PROJECT:
CUSTOMER:
LOCATION:

APPLICATION-
SINGLE SIGHTLINE
FLOOR/FLOOR CONDITION

DATE:	4-11-05
SCALE:	1:2
DOC:	CADJM.112/R3

inpro.

For More Information Visit: Inprocorp.com



516-A01-100

JOINT WIDTH		MOVEMENT ±			
		HORIZONTAL		VERTICAL	
US	mm	US	mm	US	mm
4"	102	1-1/2"	38	1-1/2"	38

FINISH: MILL

PROJECT:

CUSTOMER:

LOCATION:

APPLICATION-
SINGLE SIGHTLINE
FLOOR/FLOOR CONDITION

DATE: 4-11-05

SCALE: 1:2

DOC: CADJM.112/R3

inpro.

For More Information Visit: Inprocorp.com