

SPECIFY SEAL COLOR:	
Black (J1D501)	
Beige (J1D502)	
Gray (J1D503)	
Off White (J1D504)	
Griege (J1D506)	

501-A01-050

JOINT WIDTH		MOVEMENT ±			
		HORIZONTAL		VERTICAL	
US	mm	US	mm	US	mm
2"	51	1"	25	2 1/8"	54

NOTE:
TO DETERMINE BLOCKOUT DEPTH,
DEDUCT THICKNESS OF FLOOR
FINISH FROM FRAME HEIGHT.

FINISH: MILL
PROJECT:
CUSTOMER:
LOCATION:

APPLICATION-
INTERIOR FLOOR/FLOOR CONDITION

DATE:	8/22/17
SCALE:	1:4
DOC:	CADJM.131/R7



3/8"-16 x 1" HEX HEAD CAP SCREW
(7 PER FRAME @ 18" [457mm] O.C.)
(JK159)

CONT. ALUM. POP-UP
CENTER PAN (J5C301)

SANTOPRENE SEAL
(SEE CHART FOR P/N)

1/8" [3mm] WIDE SEALANT
(BY OTHERS)

HIGH STRENGTH EPOXY
GROUT INFILL (BY OTHERS)

3/16" x 2 1/4" [M4.5x56] FLAT HEAD
CONCRETE SCREW (7 PER
FRAME @ 18" [457mm] O.C.)
(JK002)

SS CENTERING BAR (7 PER PLATE
@ 18" [457mm] O.C.) (J5J001-B)

11 9/16"
[293mm]

1 1/4"
[32mm]

STEEL CENTERING BAR
BUSHING (7 PER PLATE @
18" [457mm] O.C.) (J5J301)

HIGH STRENGTH EPOXY GROUT
PAN INFILL (BY OTHERS)

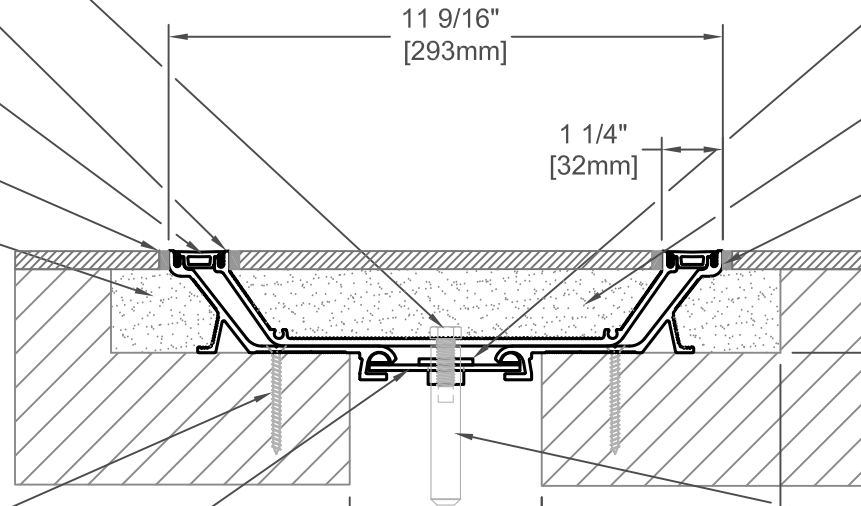
CENTERING BAR FRAME
(J5A303)

2 1/8"
[54mm]

STEEL CENTERING BAR
POST (7 PER PLATE @
18" [457mm] O.C.) (J5J300)

4"
[102mm]

5"
[126mm]
MIN. BLOCKOUT
PER SIDE



501-A01-100

JOINT WIDTH		MOVEMENT ±			
		HORIZONTAL		VERTICAL	
US	mm	US	mm	US	mm
4"	101	2"	50	2 1/8"	54

NOTE:
TO DETERMINE BLOCKOUT DEPTH,
DEDUCT THICKNESS OF FLOOR
FINISH FROM FRAME HEIGHT.

SPECIFY SEAL COLOR:	
Black (J1D501)	
Beige (J1D502)	
Gray (J1D503)	
Off White (J1D504)	
Griege (J1D506)	

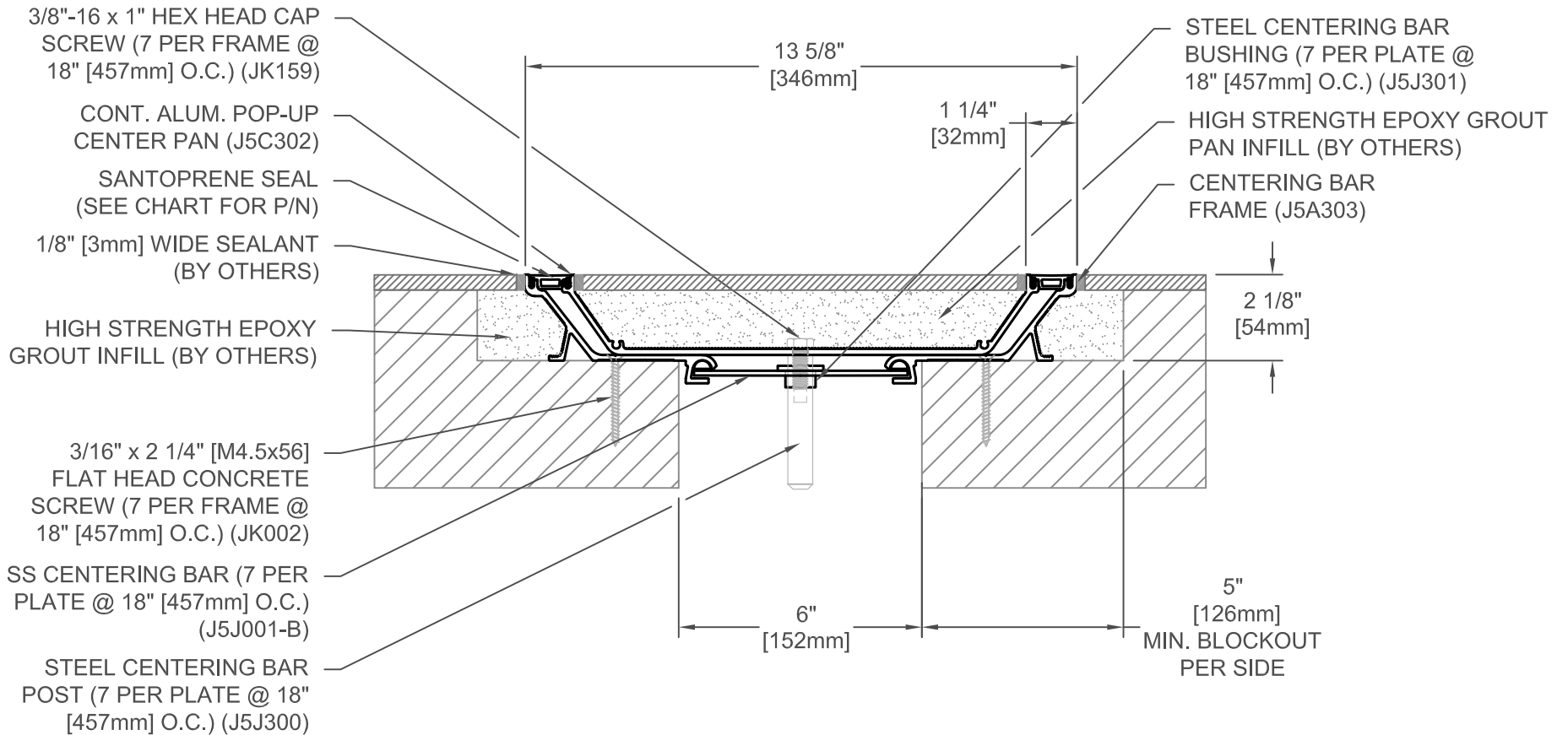
FINISH: MILL
PROJECT:
CUSTOMER:
LOCATION:

APPLICATION-
INTERIOR FLOOR/FLOOR CONDITION

DATE:	8/22/17
SCALE:	1:4
DOC:	CADJM.131/R7

inpro.

For More Information Visit: Inprocorp.com



501-A01-150

JOINT WIDTH		MOVEMENT ±			
		HORIZONTAL		VERTICAL	
US	mm	US	mm	US	mm
6"	152	3"	75	2 1/8"	54

NOTE:
TO DETERMINE BLOCKOUT DEPTH,
DEDUCT THICKNESS OF FLOOR
FINISH FROM FRAME HEIGHT.

SPECIFY SEAL COLOR:	
Black (J1D501)	
Beige (J1D502)	
Gray (J1D503)	
Off White (J1D504)	
Griege (J1D506)	

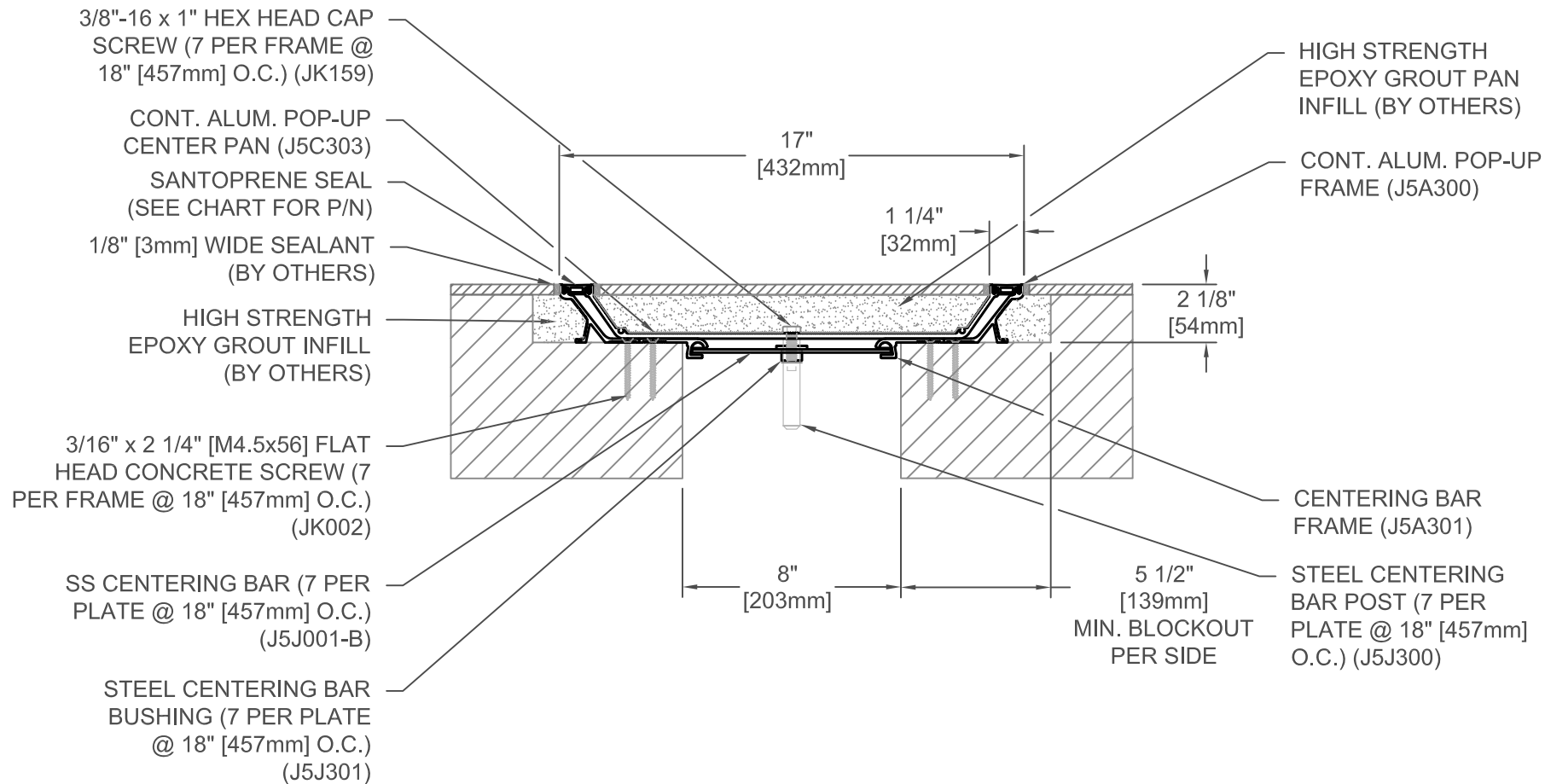
FINISH: MILL
PROJECT:
CUSTOMER:
LOCATION:

APPLICATION-
INTERIOR FLOOR/FLOOR CONDITION

DATE:	8/22/17
SCALE:	1:4
DOC:	CADJM.131/R7

inpro.

For More Information Visit: Inprocorp.com



501-A01-200

JOINT WIDTH		MOVEMENT ±			
		HORIZONTAL		VERTICAL	
US	mm	US	mm	US	mm
8"	203	4"	100	2 1/8"	54

NOTE:
TO DETERMINE BLOCKOUT DEPTH,
DEDUCT THICKNESS OF FLOOR
FINISH FROM FRAME HEIGHT.

SPECIFY SEAL COLOR:	
Black (J1D501)	
Beige (J1D502)	
Gray (J1D503)	
Off White (J1D504)	
Griege (J1D506)	

FINISH: MILL
PROJECT:
CUSTOMER:
LOCATION:

APPLICATION-
INTERIOR FLOOR/FLOOR CONDITION

DATE:	8/22/17
SCALE:	1:6
DOC:	CADJM.131/R7

inpro.

For More Information Visit: Inprocorp.com

3/8"-16 x 1" HEX HEAD CAP
SCREW (7 PER FRAME @ 18"
[457mm] O.C.) (JK159)

CONT. ALUM. POP-UP
CENTER PAN (J5C305-AFW)

SANTOPRENE SEAL
(SEE CHART FOR P/N)

HIGH STRENGTH EPOXY
GROUT INFILL (BY OTHERS)

3/16" x 2 1/4" [M4.5x56] FLAT
HEAD CONCRETE SCREW (7
PER FRAME @ 18" [457mm]
O.C.) (JK002)

SS CENTERING BAR (7 PER
PLATE @ 18" [457mm] O.C.)
(J5J002-B)

STEEL CENTERING BAR
BUSHING (7 PER PLATE @
18" [457mm] O.C.) (J5J301)

21 11/16"
[551mm]

1 1/4"
[33mm]

HIGH STRENGTH
EPOXY GROUT PAN
INFILL (BY OTHERS)

CONT. ALUM.
POP-UP FRAME
(J5A300)

2 1/8"
[54mm]

CENTERING BAR
FRAME (J5A301)

10"
[254mm]

7"
[178mm]
MIN. BLOCKOUT
PER SIDE

STEEL CENTERING BAR
POST (7 PER PLATE @
18" [457mm] O.C.)
(J5J300)

SPECIFY SEAL COLOR:	
Black (J1D501)	
Beige (J1D502)	
Gray (J1D503)	
Off White (J1D504)	
Griege (J1D506)	

501-A01-250

JOINT WIDTH		MOVEMENT ±			
		HORIZONTAL		VERTICAL	
US	mm	US	mm	US	mm
10"	254	5"	125	2 1/8"	54

NOTE:
TO DETERMINE BLOCKOUT DEPTH,
DEDUCT THICKNESS OF FLOOR
FINISH FROM FRAME HEIGHT.

FINISH: MILL
PROJECT:
CUSTOMER:
LOCATION:

APPLICATION-
INTERIOR FLOOR/FLOOR CONDITION

DATE: 8/22/17

SCALE: 1:6

DOC: CADJM.131/R7

inpro.

For More Information Visit: Inprocorp.com

3/8"-16 x 1" HEX HEAD CAP
SCREW (7 PER FRAME @ 18"
[457mm] O.C.) (JK159)

CONT. ALUM. POP-UP
CENTER PAN
(J5C306-AFW)

SANTOPRENE SEAL
(SEE CHART FOR P/N)

1/8" [3mm] WIDE SEALANT
(BY OTHERS)

HIGH STRENGTH EPOXY
GROUT INFILL (BY OTHERS)

3/16" x 2 1/4" [M4.5x56] FLAT
HEAD CONCRETE SCREW (7
PER FRAME @ 18" [457mm]
O.C.) (JK002)

SS CENTERING BAR (7 PER
PLATE @ 18" [457mm] O.C.)
(J5J002-B)

STEEL CENTERING BAR
BUSHING (7 PER PLATE @
18" [457mm] O.C.) (J5J301)

24 11/16"
[627mm]

1 1/4"
[32mm]

HIGH STRENGTH
EPOXY GROUT PAN
INFILL (BY OTHERS)

CONT. ALUM.
POP-UP FRAME
(J5A300)

2 1/8"
[54mm]

CENTERING BAR
FRAME (J5A301)

STEEL CENTERING BAR
POST (7 PER PLATE @
18" [457mm] O.C.)
(J5J300)

12"
[305mm]

7 1/2"
[190mm]
MIN. BLOCKOUT
PER SIDE

501-A01-300

JOINT WIDTH		MOVEMENT ±			
		HORIZONTAL		VERTICAL	
US	mm	US	mm	US	mm
12"	305	6"	150	2 1/8"	54

NOTE:
TO DETERMINE BLOCKOUT DEPTH,
DEDUCT THICKNESS OF FLOOR
FINISH FROM FRAME HEIGHT.

SPECIFY SEAL COLOR:	
Black (J1D501)	
Beige (J1D502)	
Gray (J1D503)	
Off White (J1D504)	
Grieger (J1D506)	

FINISH: MILL
PROJECT:
CUSTOMER:
LOCATION:

APPLICATION-
INTERIOR FLOOR/FLOOR CONDITION

DATE: 8/22/17

SCALE: 1:6

DOC: CADJM.131/R7

inpro.

For More Information Visit: Inprocorp.com