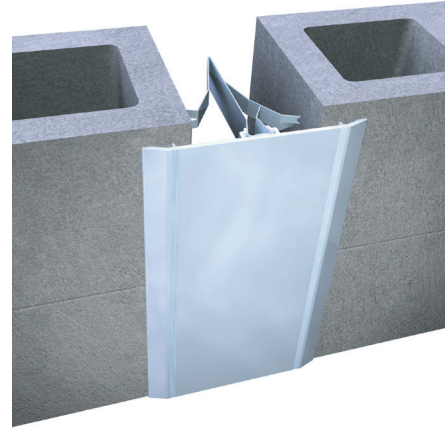


804 Series

A07 - Wall to Wall or Ceiling to Ceiling
 A09 - Wall to Corner or Ceiling to Wall



Movement Rating \pm 25%

Product Guide



Thermal



Exterior



Interior



Fire Rated Option



Vapor Barrier Option

- ▶ Designed for interior walls and ceilings
- ▶ Spring clip design for easy on-site installation
- ▶ Attractive and economical solution for retrofit and surface mount applications
- ▶ Clear anodized finish
- ▶ Seamlessly integrates with coordinating 804 floor system

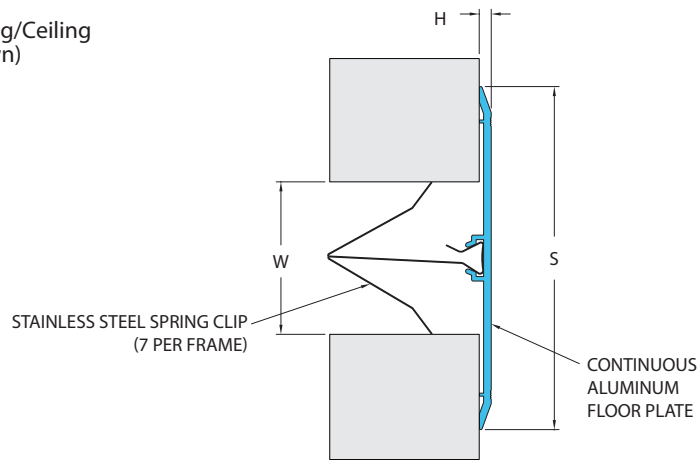
Application	System	W		H1		H2		S		B		Movement +/-			
		Joint Width		Frame Height 1		Height 2		Sightline		Blockout		Horizontal		Vertical	
		US	mm	US	mm	US	mm	US	mm	US	mm	US	mm	US	mm
Wall/Wall Ceiling/Ceiling	804-A07-025	1"	25	1/8"	4	*	*	3"	76	*	*	1/2"	13	1/8"	3
	804-A07-038	1 1/2"	38	1/8"	4	*	*	3"	76	*	*	3/4	19	1/8"	3
	804-A07-050	2"	51	1/8"	4	*	*	4 1/2"	114	*	*	1	25	1/8"	3
Wall/Corner Wall/Ceiling	804-A09-025	1"	25	1/8"	4	*	*	2"	50	*	*	1/4"	6	1/8"	3
	804-A09-038	1 1/2"	38	1/8"	4	*	*	2"	50	*	*	3/8"	10	1/8"	3
	804-A09-050	2"	51	1/8"	4	*	*	3 1/2"	89	*	*	1/2"	13	1/8"	3

IPC.882/REV.13

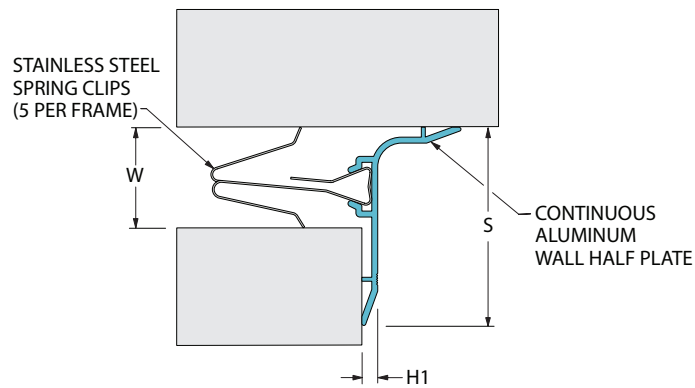
804 Series

Wall and Ceiling Systems

804-A07 Wall/Wall Ceiling/Ceiling
(2" (51mm) system shown)



804-A09 Wall/Wall Ceiling/Ceiling
(1" (25mm) system shown)



804 Series Option

Mineral Wool & Sealant Fire Barrier System

