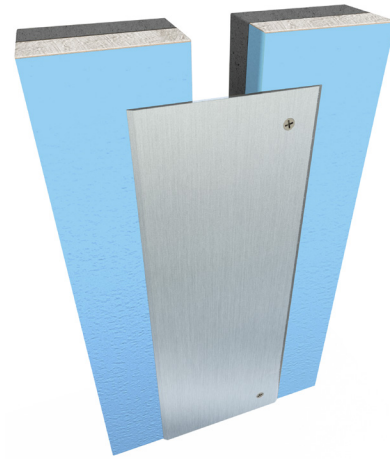


801 Series

A07 - Wall to Wall or Ceiling to Ceiling

A09 - Wall to Corner or Wall to Ceiling



Movement Rating \pm 50%

Product Guide



Thermal



Exterior



Interior



Fire Rated Option



Vapor Barrier Option

- Designed with beveled edges
- Easy to install
- Economical solution for retrofit and surface mount installations
- Clear Anodized finish standard
- Available in stainless steel and brass
- Wide variety of widths and hole configurations available
- Optional finish available: Brushed, Anodized, Kynar, powder and primed for field painting

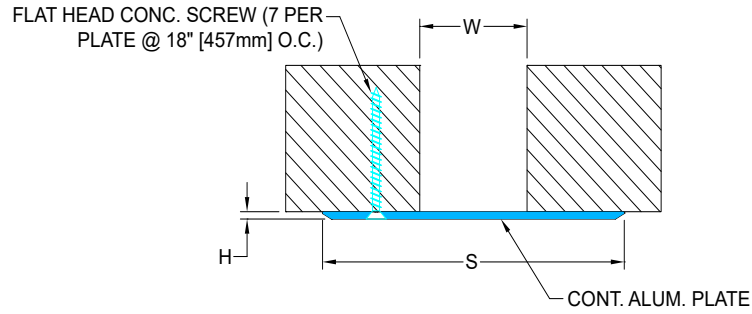
Application	System	W		H		S		Movement +/-			
		Joint Width		Frame Height		Sightline		Horizontal		Vertical	
		US	mm	US	mm	US	mm	US	mm	US	mm
Wall to Wall	801-A07-025	1"	25	1/8"	3	4 1/8"	105	1/2"	13	*	*
	801-A07-050	2"	51	1/8"	3	5 5/8"	143	1"	25	*	*
	801-A07-075	3"	76	1/4"	6	9 1/4"	235	1 1/2"	38	*	*
	801-A07-100	4"	102	1/4"	6	9 1/4"	235	2"	51	*	*
Wall to Corner	801-A09-025	1"	25	1/8"	3	2 9/16"	65	1/2"	13	*	*
	801-A09-050	2"	51	1/8"	3	3 15/16"	97	1"	25	*	*
	801-A09-075	3"	76	1/4"	6	7 7/16"	189	1 1/2"	38	*	*
	801-A09-100	4"	102	1/4"	6	7 7/16"	189	2"	51	*	*

IPC.1580/REV.6

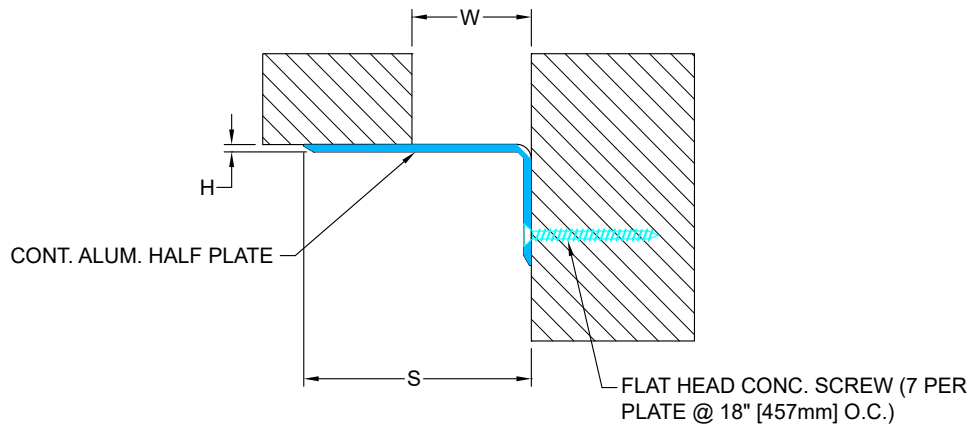
801 Series

Wall and Ceiling Systems

801-A07 Wall/Wall
(2" (50mm) system shown)

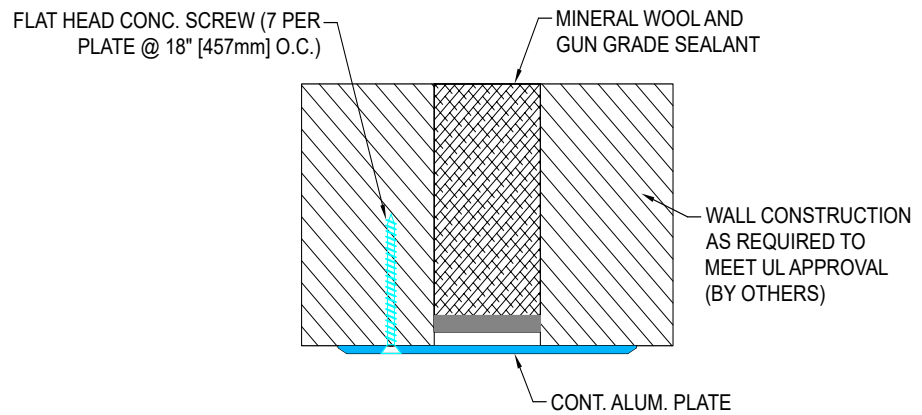


801-A09 Ceiling/ Wall
(2" (50mm) system shown)



801 Series Options

801-A07 with Mineral Wool & Gun Grade Sealant
Fire Barrier System
(2" (50mm) system shown)



801-A07 with Vapor Barrier
(2" (50mm) system shown)

