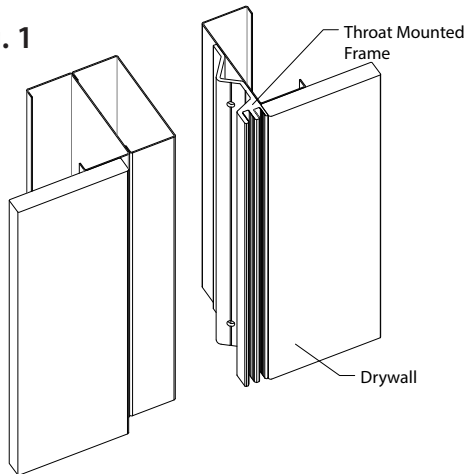


# Installation Instructions

## Joint System: 318 - A07/A09

Note: Verify that the structural gap is in conformance with submittal data before beginning installation. If this is a Fire Rated Assembly, install the fire barrier before the Architectural Joint System. Refer to the fire barrier instructions for specific system installation.

Fig. 1



1. Install the architectural joint system on a level surface, making sure the face of the aluminum covers align with the finished face of the 5/8" drywall. Shims may be required to raise the face of the frames.

NOTE: Both 318 A07 & A09 conditions use the same components and require the same steps to install.

2. Cut the aluminum components to the desired length.

Fig. 1

3. Place throat mounted frame against the stud on the inside face of structural gap. Make sure the front edge of the frame is flush with the drywall. Align plumb and do not position front edge of the frames past the face of the drywall it is adjacent to.

4. Using the pre-drilled holes on the throat mounted frames, pre-drill pilot holes at the proper locations along the stud prior to securing the frames in place.

Fig. 2

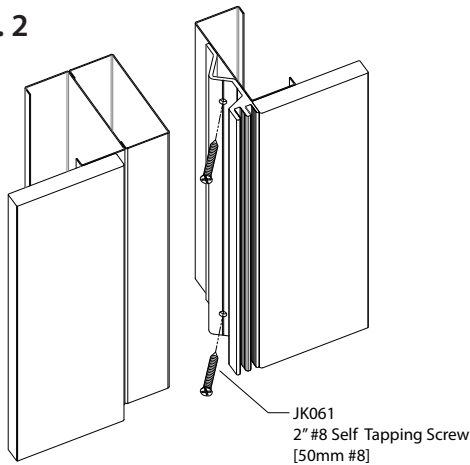


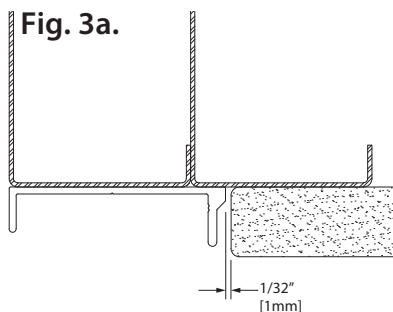
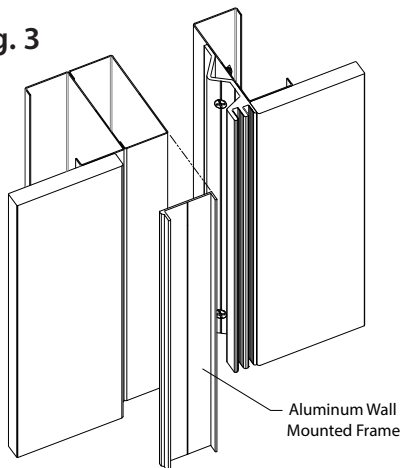
Fig. 2

5. Secure frames in place using supplied JK061 fasteners.

Fig.3

6. Place the aluminum wall mounted frames next to the side of the structural gap. Align the front edge of the wall mounted frame (side with the short leg) with the inside face of the structural gap. Do not extend the aluminum frames over the edge of the structural gap. Align plumb. Ensure there is small gap of 1/32" [1mm] between edge outside edge of the frame and the edge of the drywall. See Fig. 3a.

Fig. 3



IPC.838/REV.2

# Installation Instructions

Joint System: 318 - A07/A09

Fig. 4

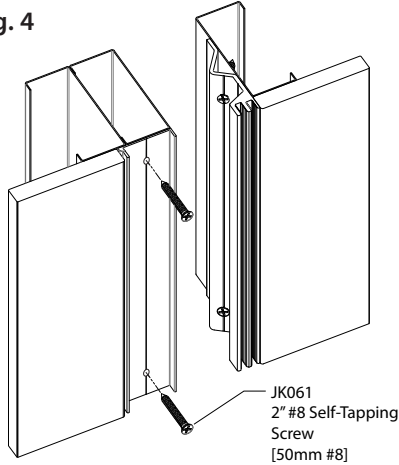


Fig.4

7. Secure the frames to the substrate with JK061 sheet metal screws at the pre-drilled hole locations along the center v groove of the wall mounted frame.

Fig. 5

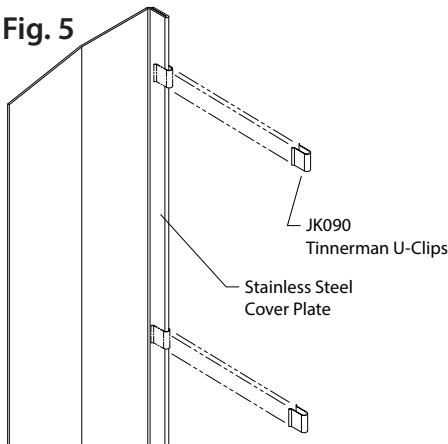


Fig.5

8. Press the JK090 Tinnerman U-Clips onto the short bent flange of the stainless steel cover plate. Space clips approximately 18" [457mm] on center starting 6" [152mm] from each end.

Fig. 6

9. Place and hold the continuous stainless steel center plate over both frames; align center plate's bent flange over the outermost channel, firmly press it into the channel on the wall frame. See Fig. 6a.

Fig. 7

10. Place JK090 Tinnerman U-Clips onto the outermost tab on the aluminum wall mounted frame. Space clips approximately 18" on center starting 6" from each end.

Fig. 6

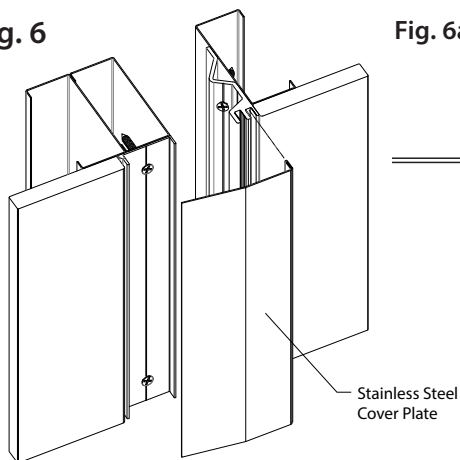


Fig. 6a

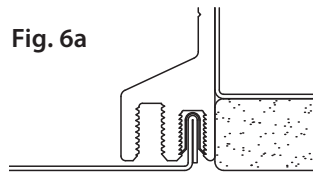
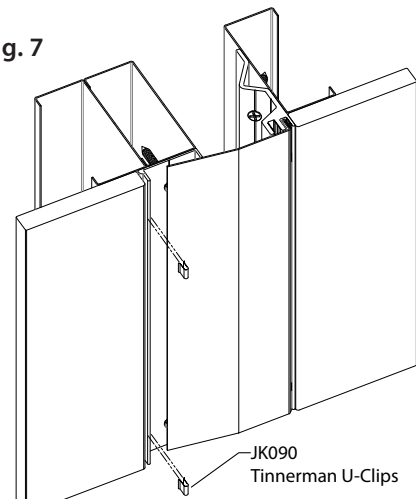


Fig. 7



Installation Hotline • 866.EZINPRO

Inprocorp.com • 800.222.5556 • 262.679.9010

World Headquarters S80 W18766 Apollo Drive, Muskego, WI 53150 USA

**JOINTMASTER™**  
EXPANSION JOINT SYSTEMS

# Installation Instructions

Joint System: 318-A07/A09

Fig. 8

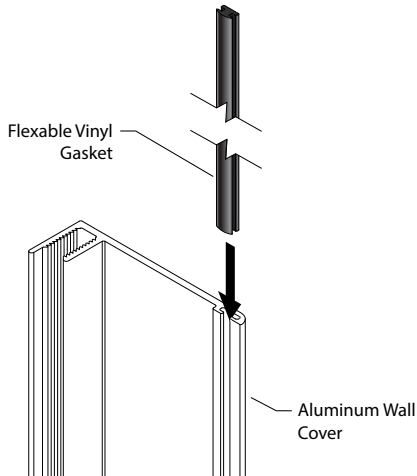


Fig.7

11. Slide the supplied flexible vinyl gasket into the slot on the inside of the aluminum wall cover.

Fig.8

12. Press the continuous aluminum wall cover on to the Tinnerman U-Clips installed on the frame.

Fig.9

13. Once aluminum wall cover is installed, use drywall joint compound to fill grooves between the joint system and drywall so they are flush.

Fig. 9

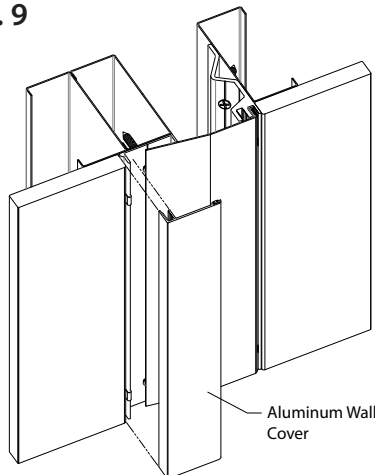


Fig.10

14. Vinyl Wall Covering (VWC) Installation: Prepare VWC for installation using an adhesive suitable for adhering to metal. Insert the edge of a piece of VWC into the gap between the edge of the continuous aluminum cover and the continuous stainless steel center plate. After inserting, the VWC, fold it back over the continuous aluminum cover and the drywall. Plumb and smooth the VWC.

15. Insert the next piece of VWC into the gap between the edge of the continuous aluminum cover and the continuous stainless steel center plate. After inserting, smooth it over the continuous stainless steel center plate and the drywall. Make sure the VWC is plumb.

11. Clean the exposed surfaces with a non-solvent cleaner, such as 409, as required.

Fig. 10

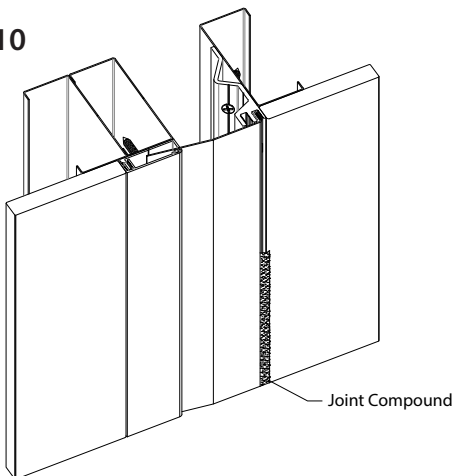
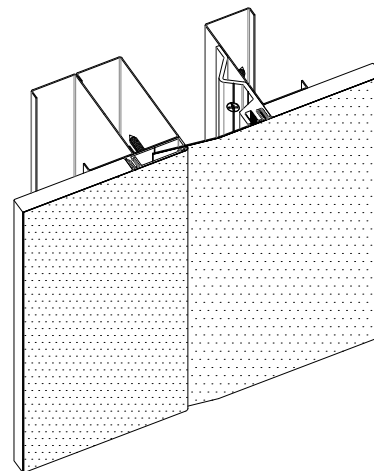


Fig. 11



Installation Hotline • 866.EZINPRO

Inprocorp.com • 800.222.5556 • 262.679.9010

World Headquarters S80 W18766 Apollo Drive, Muskego, WI 53150 USA

**JOINTMASTER™**  
EXPANSION JOINT SYSTEMS