

811-A07-025

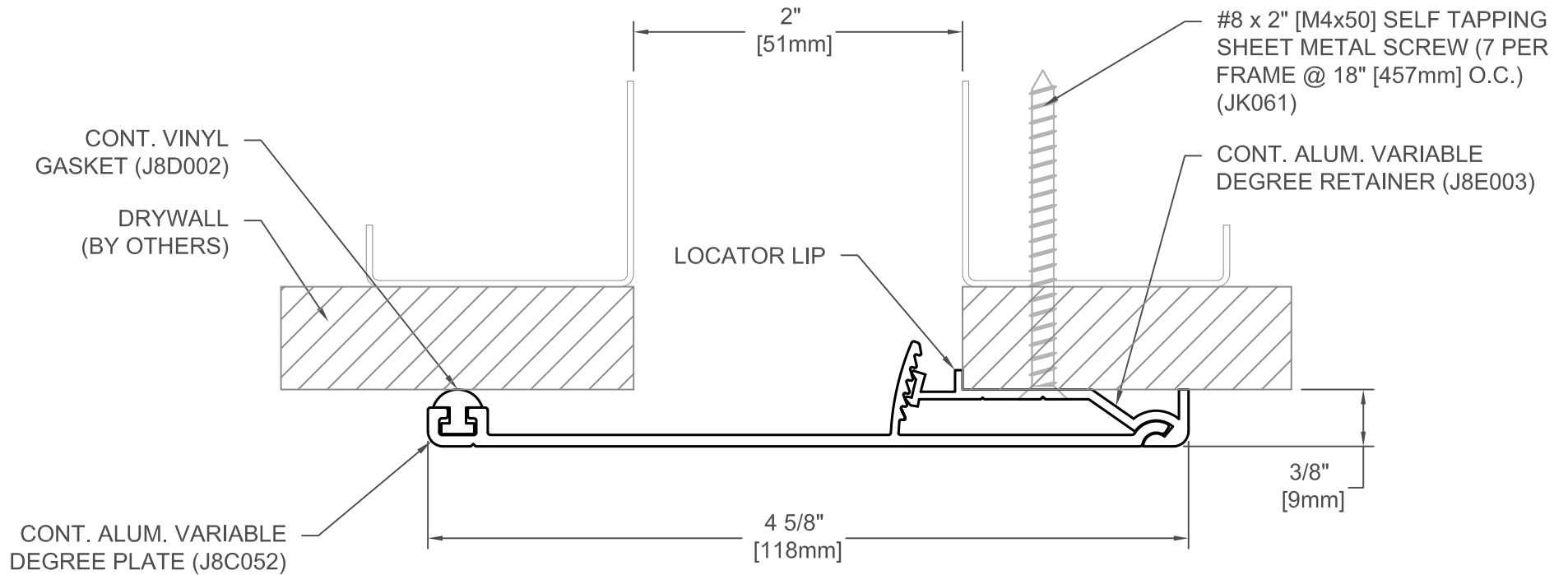
JOINT WIDTH		MOVEMENT ±			
		HORIZONTAL		VERTICAL	
US	mm	US	mm	US	mm
1"	25	1/2"	13	--	--

FINISH: CLEAR ANODIZED
PROJECT:
CUSTOMER:
LOCATION:

APPLICATION-
WALL/WALL, CEILING/CEILING CONDITION
SURFACE MOUNT WALL/CEILING SYSTEM

DATE:	2-10-02
SCALE:	1:1
DOC:	CADJM.054/R2





811-A07-050

JOINT WIDTH		MOVEMENT ±			
		HORIZONTAL		VERTICAL	
US	mm	US	mm	US	mm
2"	51	1"	25	--	--

FINISH: CLEAR ANODIZED

PROJECT:

CUSTOMER:

LOCATION:

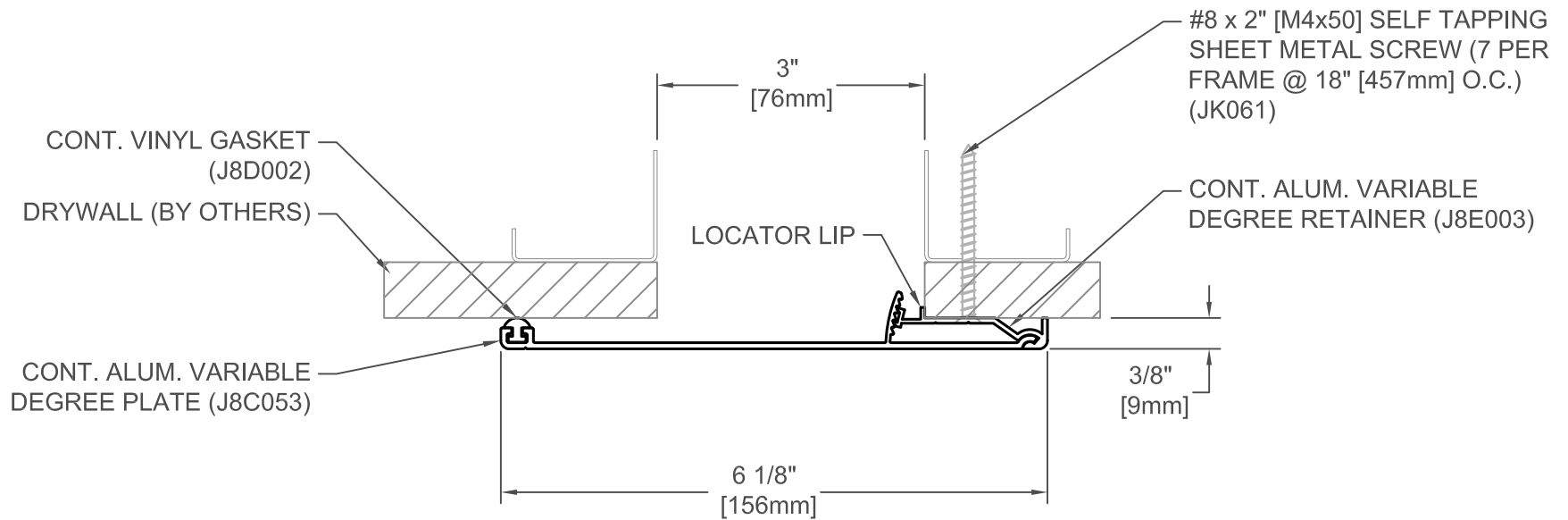
APPLICATION-
WALL/WALL, CEILING/CEILING CONDITION
SURFACE MOUNT WALL/CEILING SYSTEM

DATE: 2-10-02

SCALE: 1:1

DOC: CADJM.054/R2

inpro.
For More Information Visit: Inprocorp.com



811-A07-075

JOINT WIDTH		MOVEMENT ±			
		HORIZONTAL		VERTICAL	
US	mm	US	mm	US	mm
3"	76	1 1/2"	38	--	--

FINISH: CLEAR ANODIZED

PROJECT:

CUSTOMER:

LOCATION:

APPLICATION-
WALL/WALL, CEILING/CEILING CONDITION
SURFACE MOUNT WALL/CEILING SYSTEM

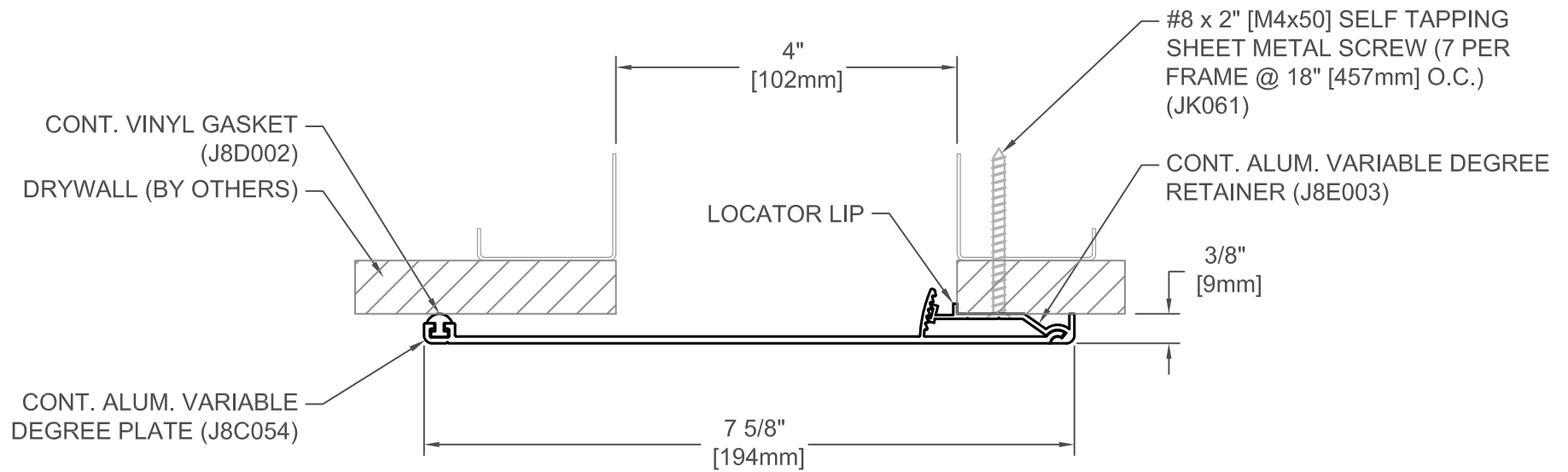
DATE: 2-10-02

SCALE: 1:2

DOC: CADJM.054/R2

inpro.

For More Information Visit: Inprocorp.com



811-A07-100

JOINT WIDTH		MOVEMENT ±			
		HORIZONTAL		VERTICAL	
US	mm	US	mm	US	mm
4"	102	2"	51	--	--

FINISH: CLEAR ANODIZED

PROJECT:

CUSTOMER:

LOCATION:

APPLICATION-
WALL/WALL, CEILING/CEILING CONDITION
SURFACE MOUNT WALL/CEILING SYSTEM

DATE: 2-10-02

SCALE: 1:2

DOC: CADJM.054/R2

inpro.
For More Information Visit: Inprocorp.com