

804-A07-025

JOINT WIDTH		MOVEMENT ±			
		HORIZONTAL		VERTICAL	
US	mm	US	mm	US	mm
1"	25	1/2"	13	1/8"	3

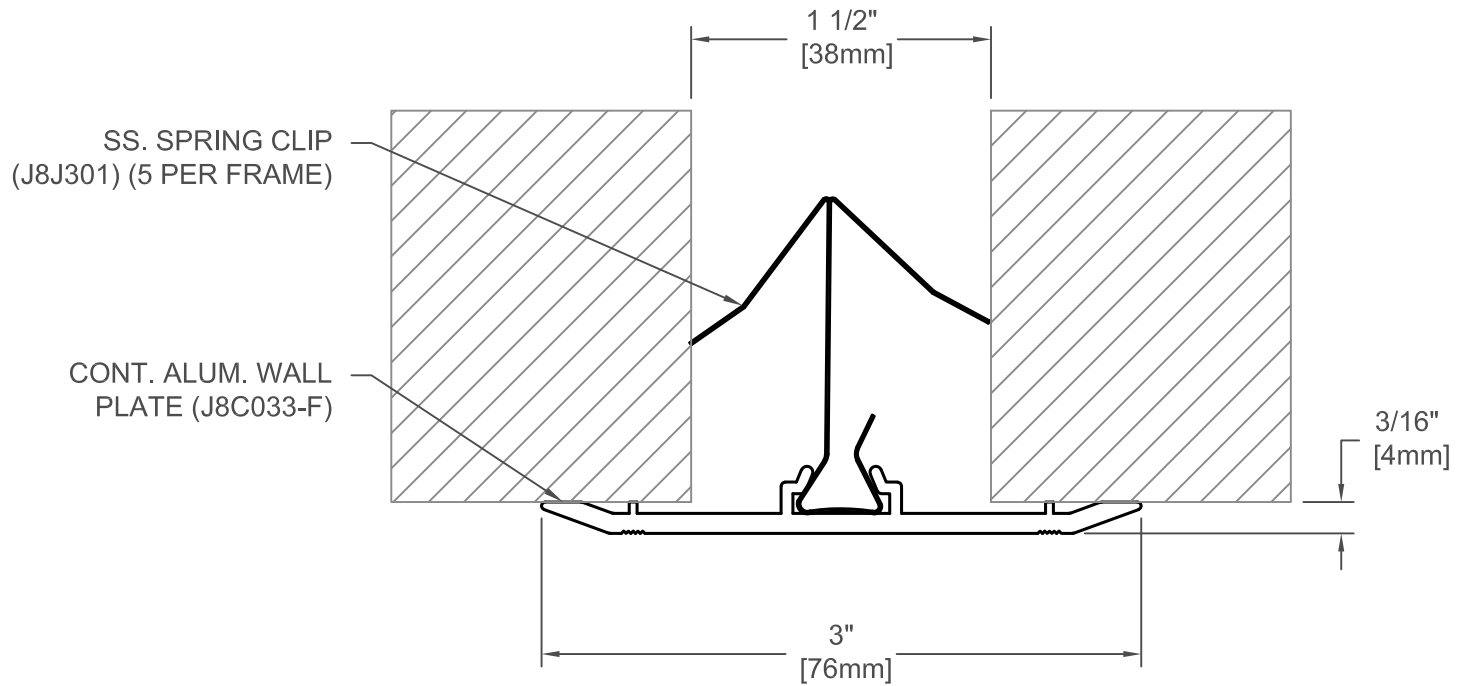
FINISH: CLEAR ANODIZED
PROJECT:
CUSTOMER:
LOCATION:

APPLICATION-
WALL/WALL, CEILING/CEILING COVER PLATE CONDITION

DATE:	9-30-05
SCALE:	1:1
DOC:	CADJM.049/R2



For More Information Visit: Inprocorp.com



804-A07-038

JOINT WIDTH		MOVEMENT ±			
		HORIZONTAL		VERTICAL	
US	mm	US	mm	US	mm
1 1/2"	38	3/4"	19	1/8"	3

FINISH: CLEAR ANODIZED

PROJECT:

CUSTOMER:

LOCATION:

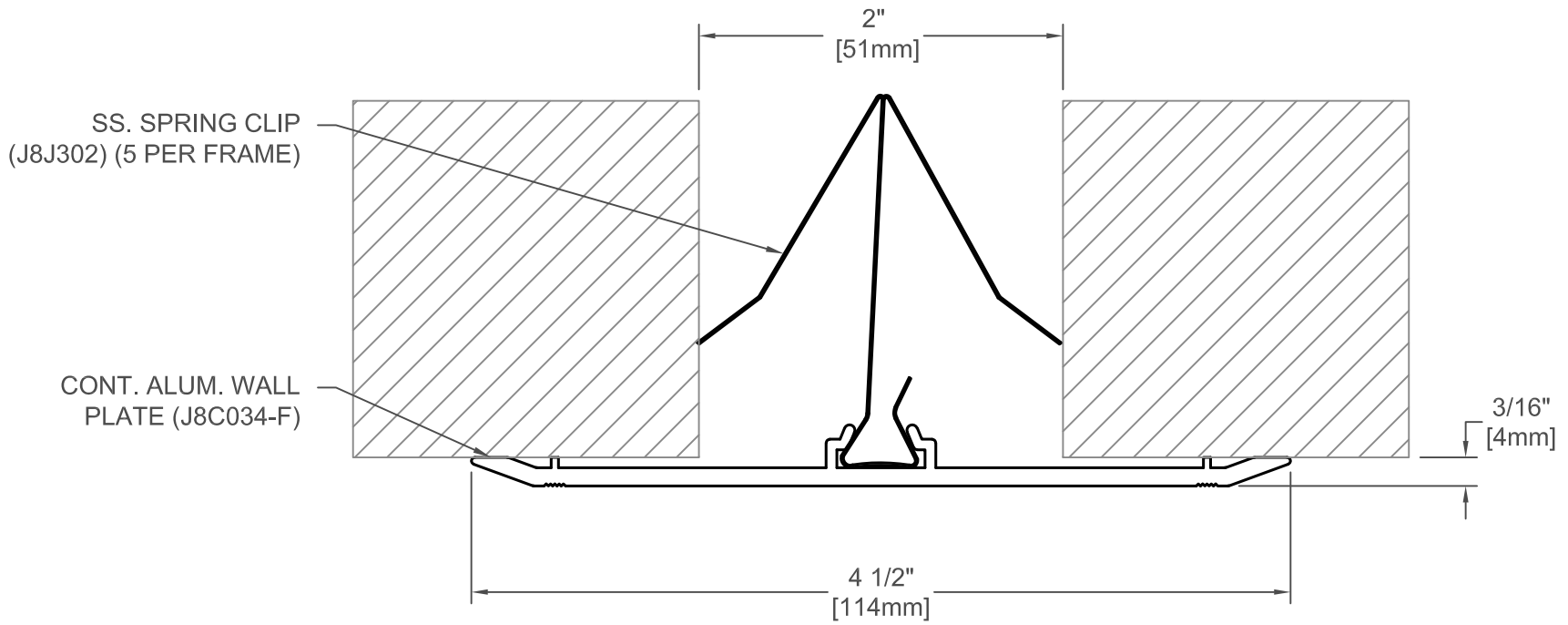
APPLICATION-
WALL/WALL, CEILING/CEILING COVER PLATE CONDITION

DATE: 9-30-05

SCALE: 1:1

DOC: CADJM.049/R2

inpro.
For More Information Visit: Inprocorp.com



804-A07-050

JOINT WIDTH		MOVEMENT ±			
		HORIZONTAL		VERTICAL	
US	mm	US	mm	US	mm
2"	51	1"	25	1/8"	3

FINISH: CLEAR ANODIZED
PROJECT:
CUSTOMER:
LOCATION:

APPLICATION-
WALL/WALL, CEILING/CEILING COVER PLATE CONDITION

DATE:	9-30-05
SCALE:	1:1
DOC:	CADJM.049/R2



For More Information Visit: Inprocorp.com