

COUNTER FLASHING SET IN BED OF SEALANT WITH FASTENER (BY OTHERS)

CONT. VINYL GASKET (J3D505-M)

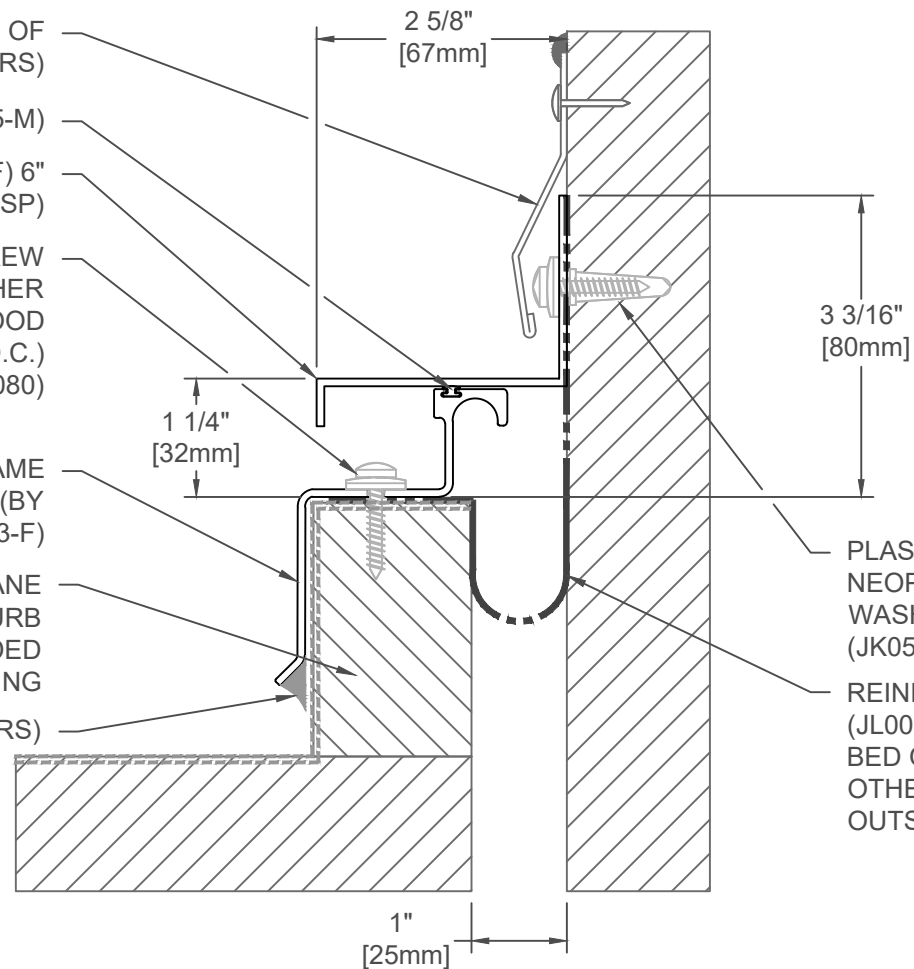
CONT. ALUM. PLATE (J6C109-F) 6" [152mm] SPLICE PLATE (J6C109-FSP)

#12 x 1" [M5x25] PAN HEAD WOOD SCREW THRU NEOPRENE WEATHER WASHER (DISCARD PLASTIC INSERT FOR WOOD CURB) (7 PER FRAME @ 18" [457mm] O.C.) (JK051/080)

CONT. ALUM. SURFACE MOUNT FRAME SET IN A BED OF BUTYL SEALANT (BY OTHERS) (J6A103-F)

CURB AND ROOFING MEMBRANE (BY OTHERS) REF. STANDARD CURB DETAIL FOR RECOMMENDED LAYERING

OPTIONAL CAULKING (BY OTHERS)



PLASTIC PLUG KIT W/ NEOPRENE WEATHER WASHER (7 PER FRAME) (JK051/080)

REINF. EPDM VAPOR BARRIER (JL006-RVB) NOTE: SET IN CONT. BED OF BUTYL SEALANT (BY OTHERS) TERMINATE RVB AT OUTSIDE EDGES OF SYSTEM

691-A02-025

JOINT WIDTH		MOVEMENT ±			
		HORIZONTAL		VERTICAL	
US	mm	US	mm	US	mm
1"	25	1/2"	13	1/2"	13

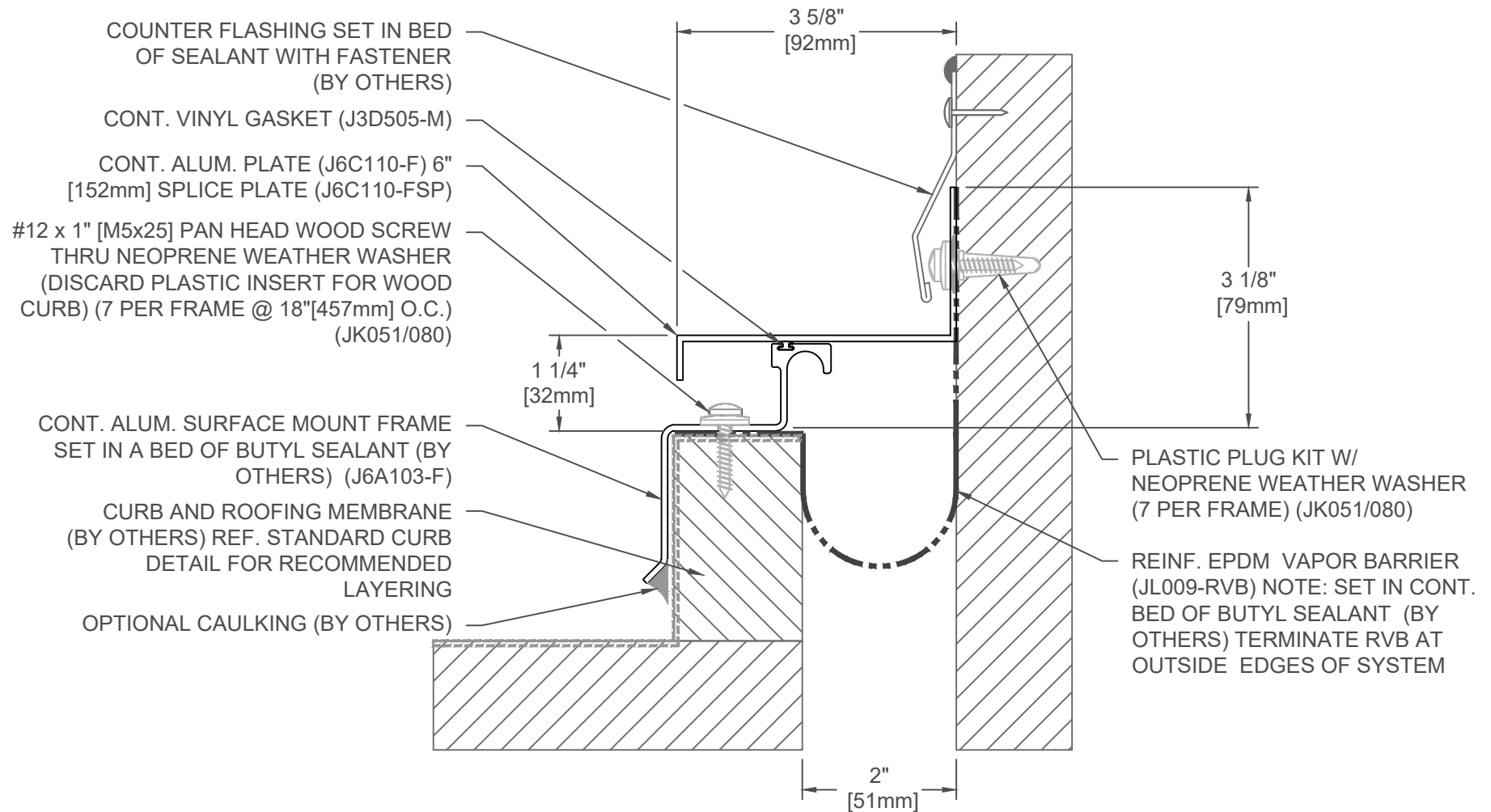
FINISH: MILL
PROJECT:
CUSTOMER:
LOCATION:

APPLICATION:
CURB MOUNTED CENTERING BAR
ROOF/WALL CONDITION

DATE:	7-22-15
SCALE:	1:2
DOC:	CADJM.004/R5



For More Information Visit: Inprocorp.com



691-A02-050

JOINT WIDTH		MOVEMENT ±			
		HORIZONTAL		VERTICAL	
US	mm	US	mm	US	mm
2"	51	1"	25	1"	25

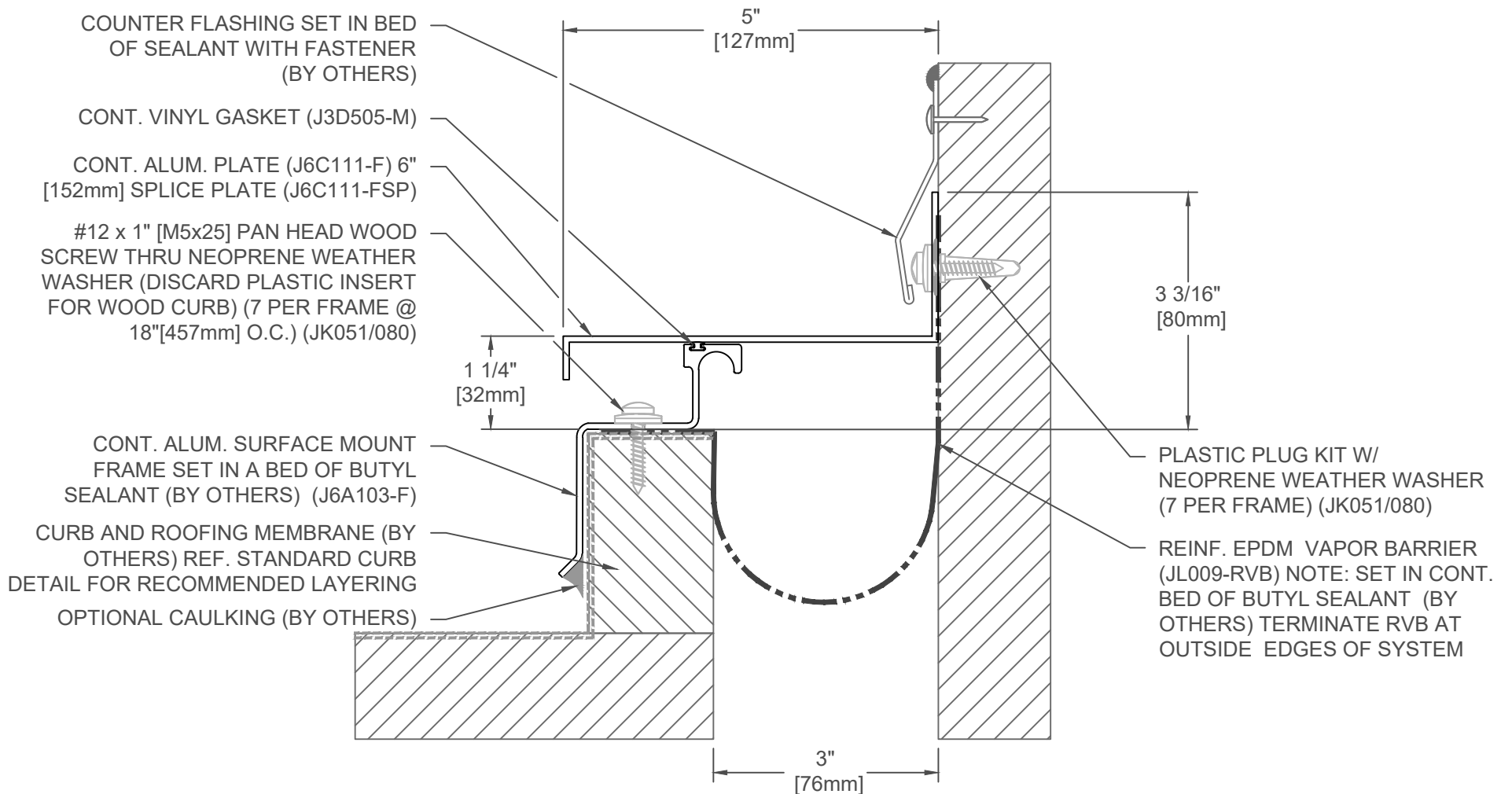
FINISH: MILL
PROJECT:
CUSTOMER:
LOCATION:

APPLICATION:
CURB MOUNTED CENTERING BAR
ROOF/WALL CONDITION

DATE:	4-13-05
SCALE:	1:2
DOC:	CADJM.004/R5

inpro.

For More Information Visit: Inprocorp.com



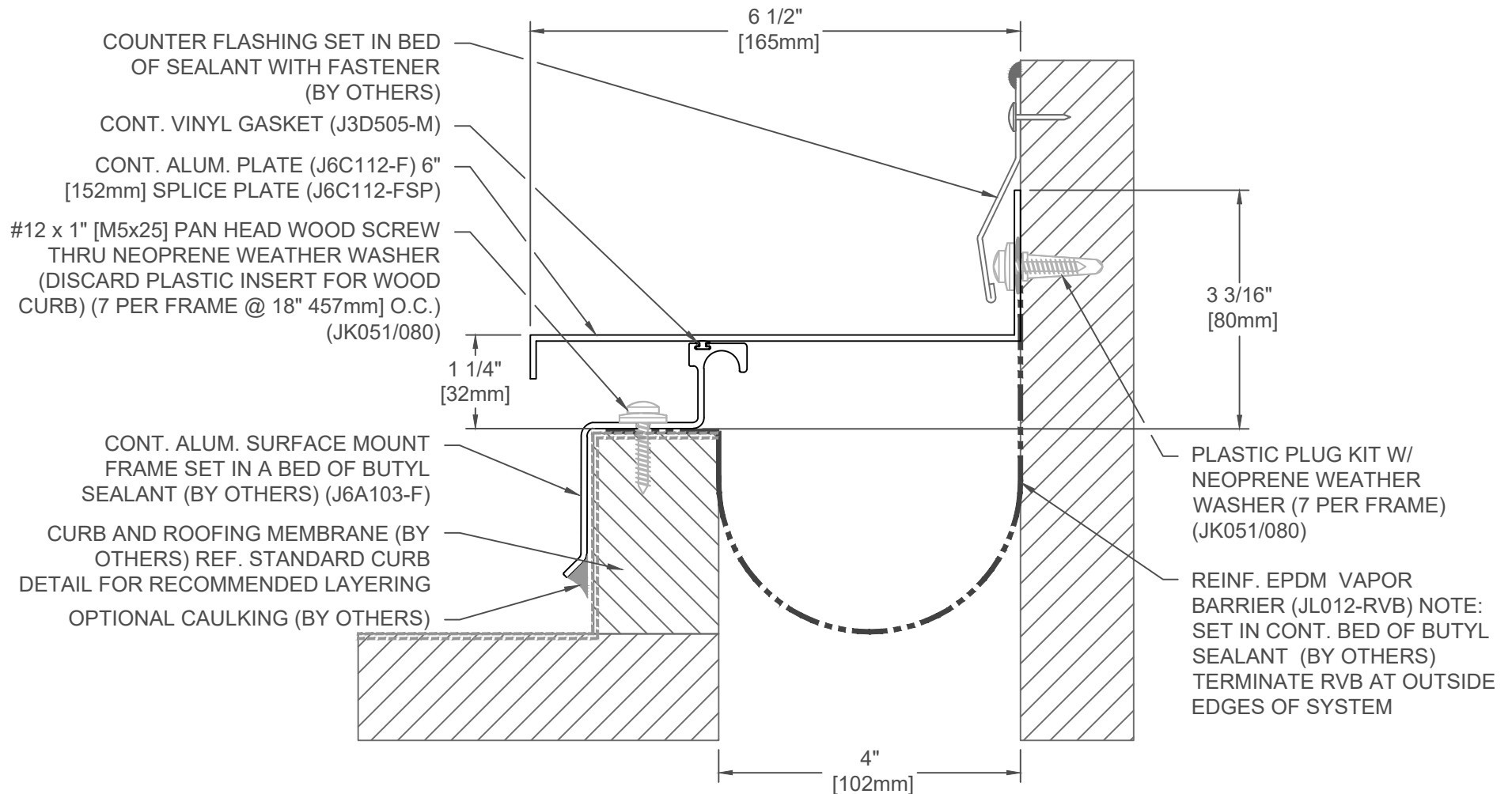
691-A02-075

JOINT WIDTH		MOVEMENT ±			
		HORIZONTAL		VERTICAL	
US	mm	US	mm	US	mm
3"	76	1-1/2"	38	1-1/2"	38

FINISH: MILL
PROJECT:
CUSTOMER:
LOCATION:

APPLICATION:
CURB MOUNTED CENTERING BAR
ROOF/WALL CONDITION

DATE:	4-13-05
SCALE:	1:2
DOC:	CADJM.004/R5



691-A02-100

JOINT WIDTH		MOVEMENT ±			
		HORIZONTAL		VERTICAL	
US	mm	US	mm	US	mm
4"	102	2"	51	2"	51

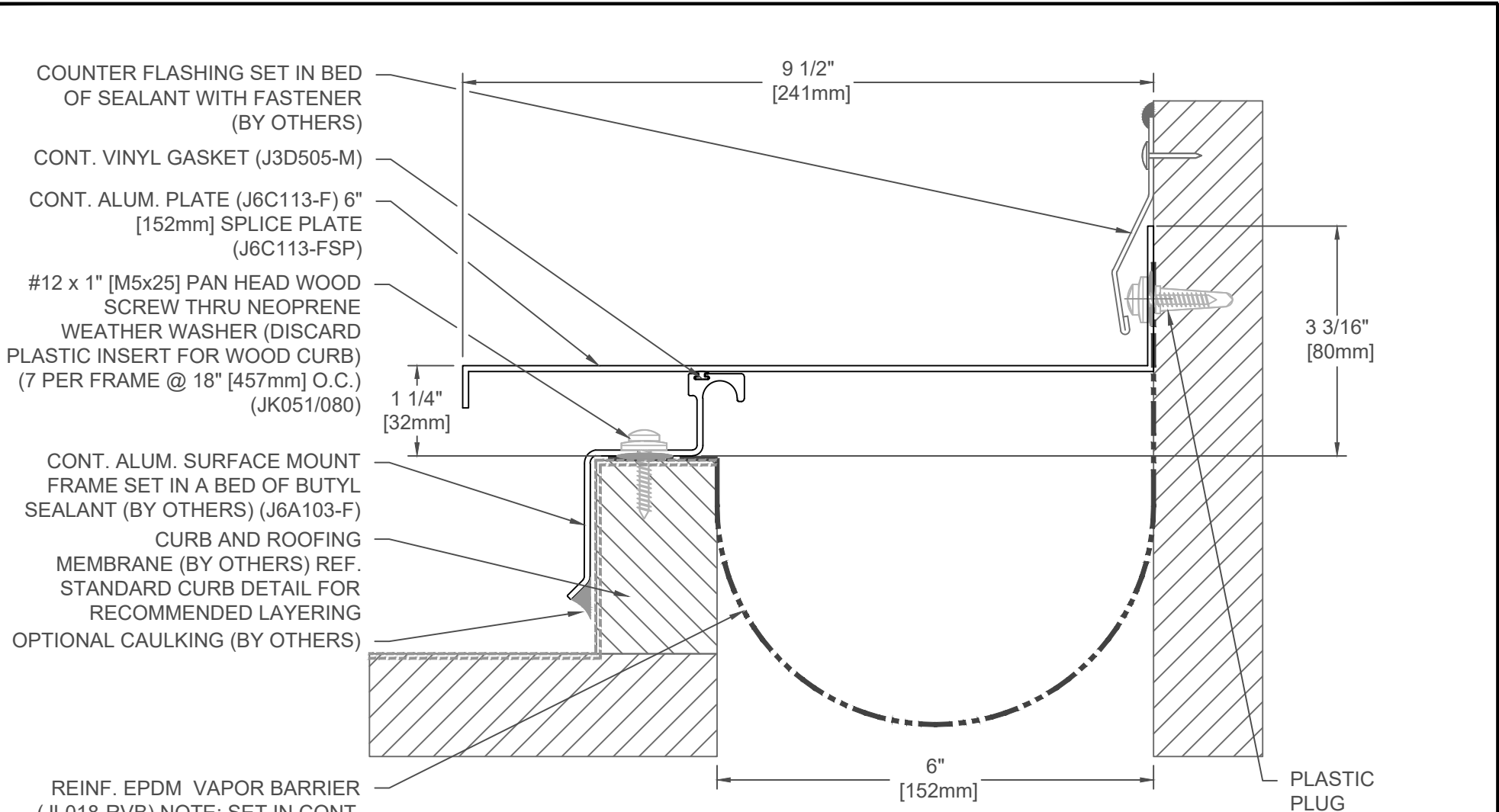
FINISH: MILL
PROJECT:
CUSTOMER:
LOCATION:

APPLICATION:
CURB MOUNTED CENTERING BAR
ROOF/WALL CONDITION

DATE:	4-13-05
SCALE:	1:2
DOC:	CADJM.004/R5

inpro.

For More Information Visit: Inprocorp.com



COUNTER FLASHING SET IN BED OF SEALANT WITH FASTENER (BY OTHERS)

CONT. VINYL GASKET (J3D505-M)

CONT. ALUM. PLATE (J6C113-F) 6" [152mm] SPLICE PLATE (J6C113-FSP)

#12 x 1" [M5x25] PAN HEAD WOOD SCREW THRU NEOPRENE WEATHER WASHER (DISCARD PLASTIC INSERT FOR WOOD CURB) (7 PER FRAME @ 18" [457mm] O.C.) (JK051/080)

CONT. ALUM. SURFACE MOUNT FRAME SET IN A BED OF BUTYL SEALANT (BY OTHERS) (J6A103-F)

CURB AND ROOFING MEMBRANE (BY OTHERS) REF. STANDARD CURB DETAIL FOR RECOMMENDED LAYERING

OPTIONAL CAULKING (BY OTHERS)

REINF. EPDM VAPOR BARRIER (JL018-RVB) NOTE: SET IN CONT. BED OF BUTYL SEALANT (BY OTHERS) TERMINATE RVB AT OUTSIDE EDGES OF SYSTEM

3 3/16" [80mm]

6" [152mm]

691-A02-150

JOINT WIDTH		MOVEMENT ±			
		HORIZONTAL		VERTICAL	
US	mm	US	mm	US	mm
6"	152	3"	76	3"	76

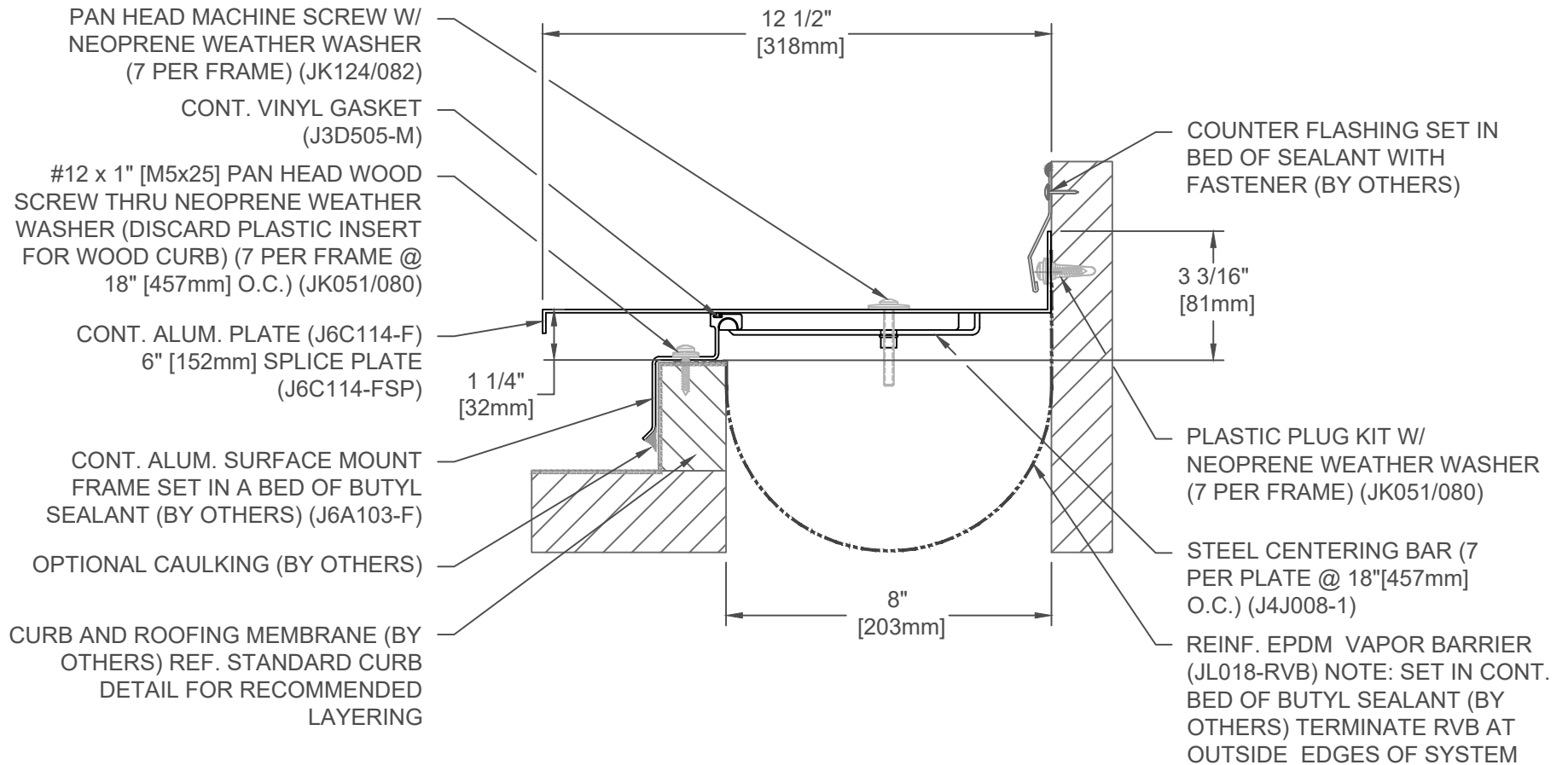
PLASTIC PLUG KIT W/ NEOPRENE WEATHER WASHER (7 PER FRAME) (JK051/080)

FINISH: MILL
PROJECT:
CUSTOMER:
LOCATION:

APPLICATION:
CURB MOUNTED CENTERING BAR
ROOF/WALL CONDITION

DATE:	4-13-05
SCALE:	1:2
DOC:	CADJM.004/R5





691-A02-200

JOINT WIDTH		MOVEMENT ±			
US	mm	HORIZONTAL		VERTICAL	
US	mm	US	mm	US	mm
8"	203	4"	102	4"	102

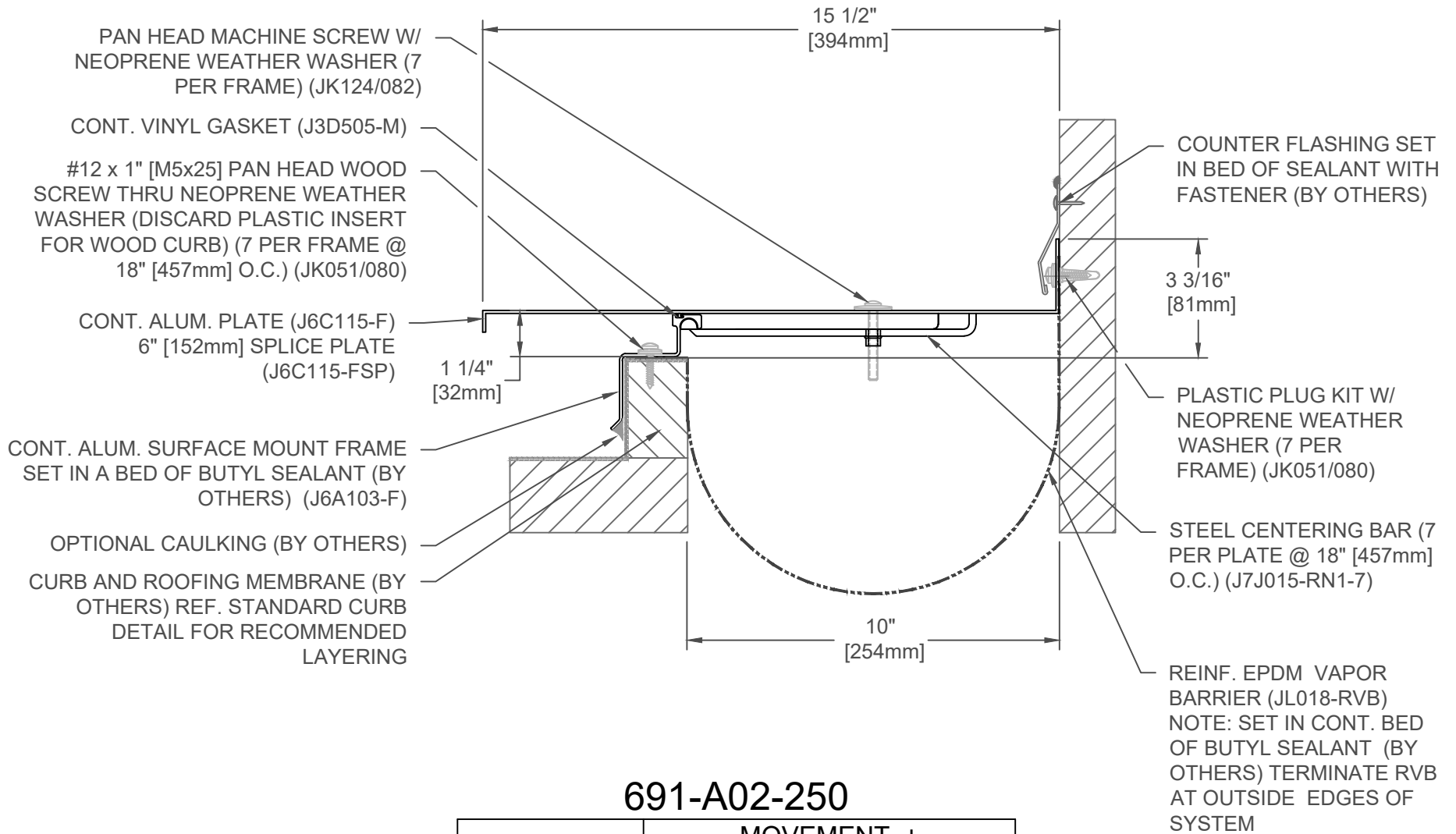
FINISH: MILL
PROJECT:
CUSTOMER:
LOCATION:

APPLICATION:
CURB MOUNTED CENTERING BAR
ROOF/WALL CONDITION

DATE:	4-13-05
SCALE:	1:4
DOC:	CADJM.004/R5

inpro.

For More Information Visit: Inprocorp.com



691-A02-250

JOINT WIDTH		MOVEMENT ±			
		HORIZONTAL		VERTICAL	
US	mm	US	mm	US	mm
10"	254	5"	127	5"	127

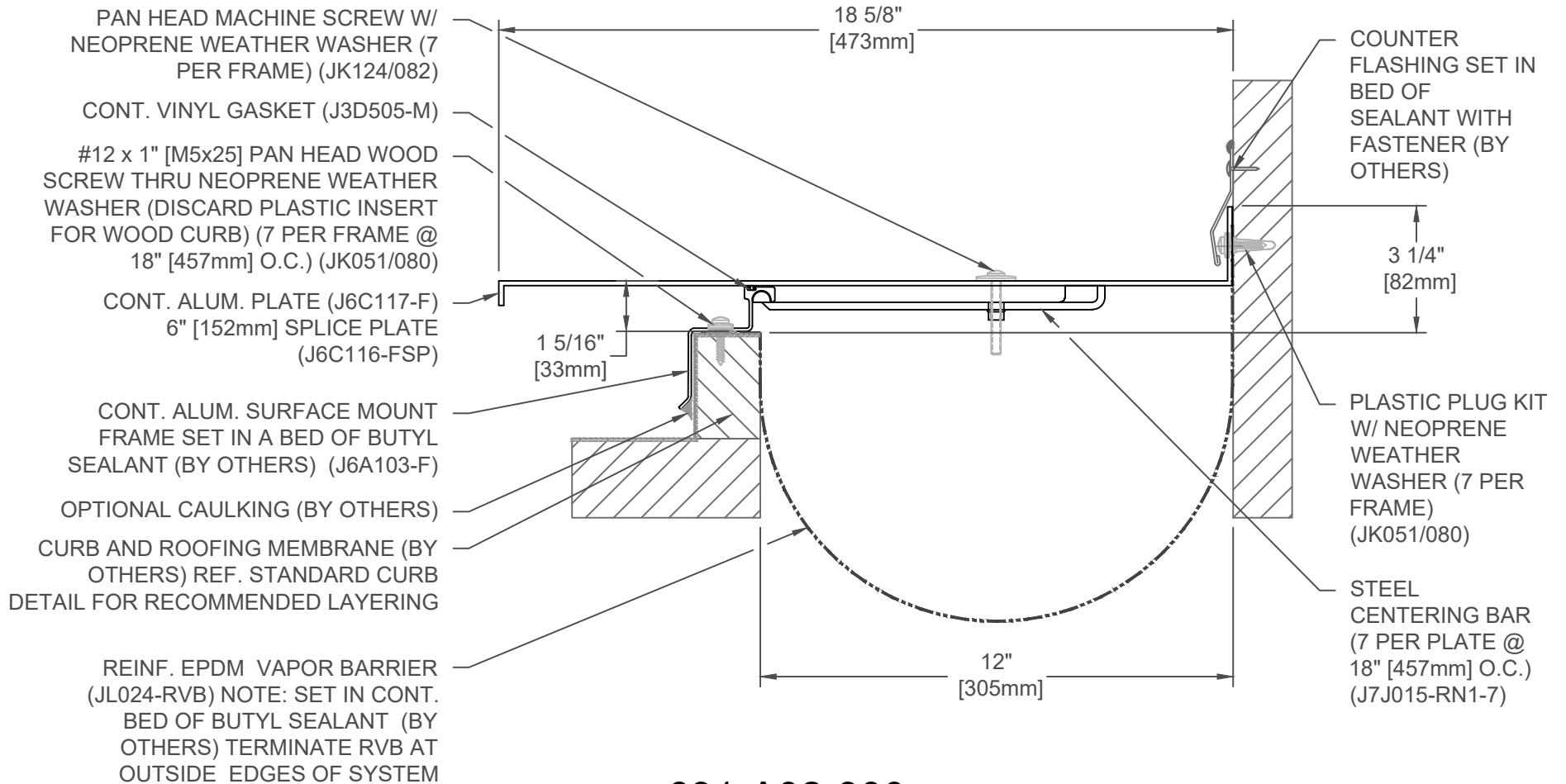
FINISH: MILL
PROJECT:
CUSTOMER:
LOCATION:

APPLICATION:
 CURB MOUNTED CENTERING BAR
 ROOF/WALL CONDITION

DATE:	12-7-16
SCALE:	1:4
DOC:	CADJM.004/R5



For More Information Visit: Inprocorp.com



691-A02-300

JOINT WIDTH		MOVEMENT ±			
US	mm	HORIZONTAL		VERTICAL	
US	mm	US	mm	US	mm
12"	305	6"	152	6"	152

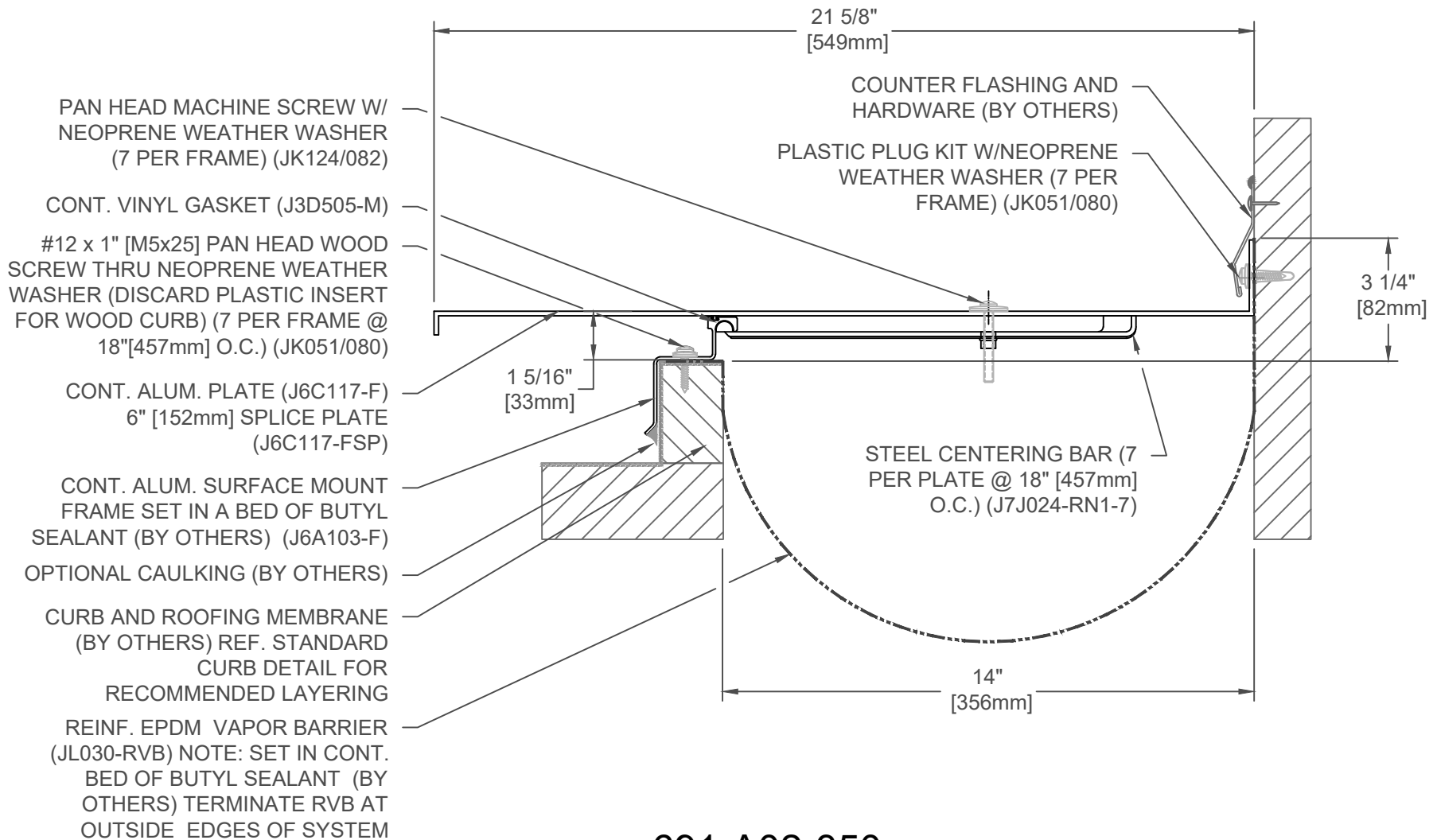
FINISH: MILL
PROJECT:
CUSTOMER:
LOCATION:

APPLICATION: CURB MOUNTED CENTERING BAR ROOF/WALL CONDITION

DATE:	4-13-05
SCALE:	1:4
DOC:	CADJM.004/R5

inpro.

For More Information Visit: Inprocorp.com



691-A02-350

JOINT WIDTH		MOVEMENT ±			
US	mm	HORIZONTAL		VERTICAL	
US	mm	US	mm	US	mm
14"	356	7"	178	7"	178

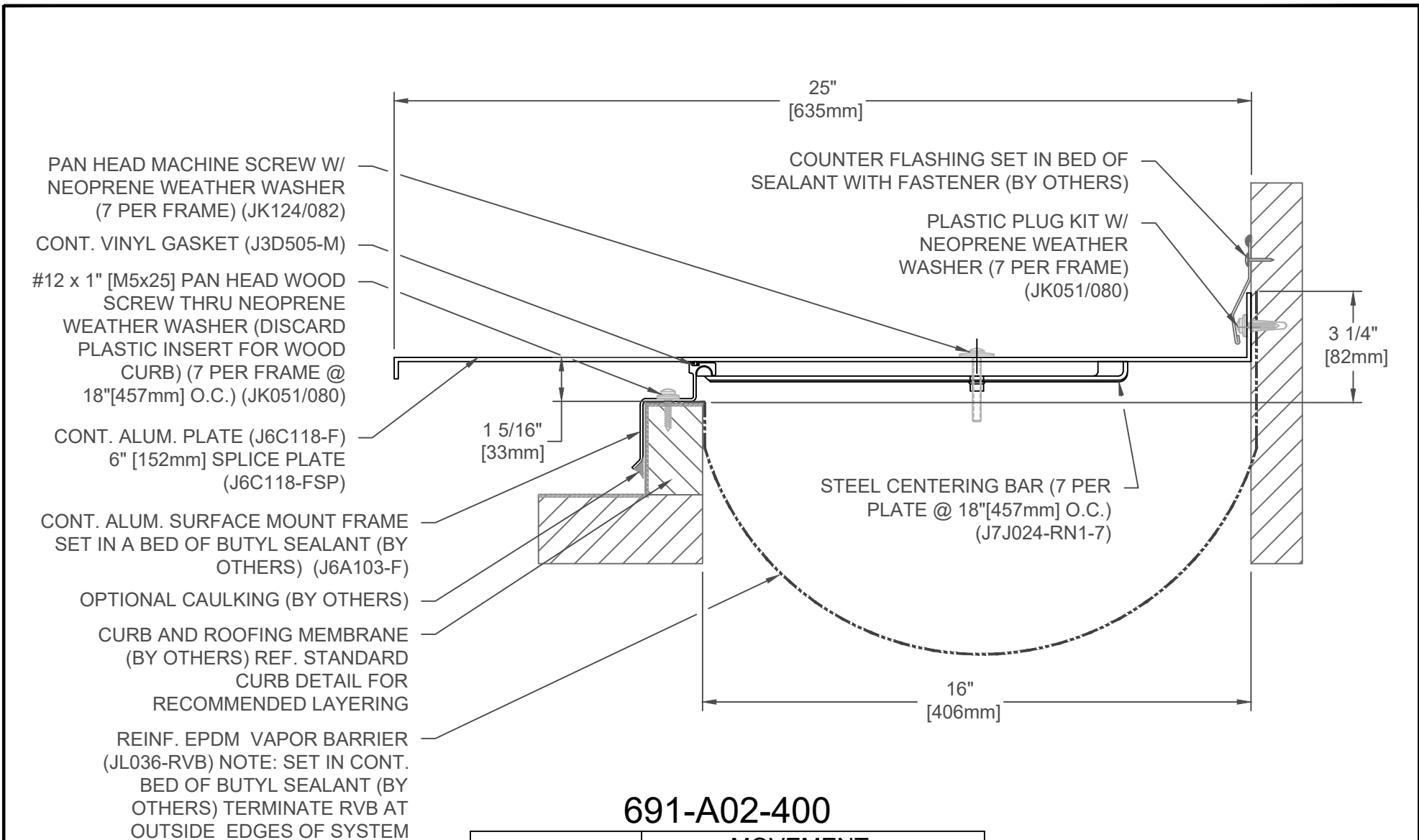
FINISH: MILL
PROJECT:
CUSTOMER:
LOCATION:

APPLICATION:
CURB MOUNTED CENTERING BAR
ROOF/WALL CONDITION

DATE:	12-7-16
SCALE:	1:4
DOC:	CADJM.004/R5

inpro.

For More Information Visit: Inprocorp.com



691-A02-400

JOINT WIDTH		MOVEMENT ±			
		HORIZONTAL		VERTICAL	
US	mm	US	mm	US	mm
16"	406	8"	203	8"	203

FINISH: MILL
PROJECT:
CUSTOMER:
LOCATION:

APPLICATION:
CURB MOUNTED CENTERING BAR
ROOF/WALL CONDITION

DATE:	12-7-16
SCALE:	1:4
DOC:	CADJM.004/R5

inpro.
For More Information Visit: Inprocorp.com