

REINF. EPDM VAPOR BARRIER (JL018-RVB) NOTE: SET IN CONT. BED OF BUTYL SEALANT (BY OTHERS) TERMINATE RVB AT OUTSIDE EDGES OF SYSTEM

CENTER BAR ALUM. ASSEMBLY (7 PER FRAME) (J616/621-A1)

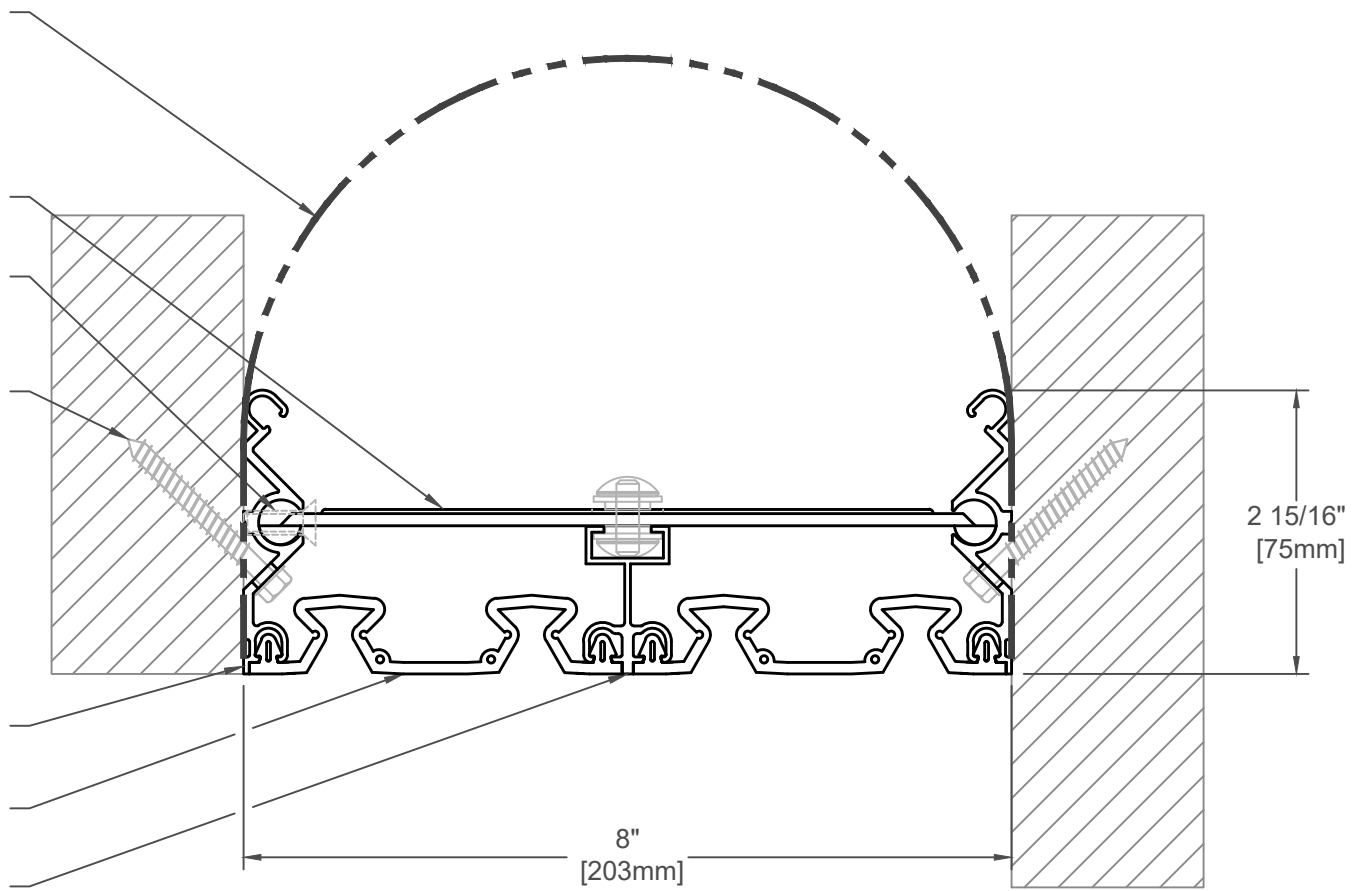
1/4-20 x 3/4" SS PH MACHINE SCREW ONE SIDE ONLY (8 PER FRAME) (JKSS26)

1/4" x 2 1/4" [M6x56] HEX HEAD CONCRETE SCREW (7 PER FRAME @ 18" [457mm] O.C.) (JK001) WHERE ACCESSIBLE OR FASTEN FRAME WITH EPOXY ADHESIVE (BY OTHERS)

CONT. FLUSH MOUNT FRAME (J6A006-F1)

CONT. 4" [102mm] SANTOPRENE SEAL

CONT. CENTER FACESEAL FRAME (J6A008)



SPECIFY SEAL COLOR:	
Black (J6D401)	
Beige (J6D402)	
Gray (J6D403)	
Off White (J6D404)	
Bright White (J2D405)	

### 616-A09-200

JOINT WIDTH		MOVEMENT ±			
		HORIZONTAL		VERTICAL	
US	mm	US	mm	US	mm
8"	203	4"	102	4"	102

FINISH: ALUM. FINISH - MILL
PROJECT:
CUSTOMER:
LOCATION:

APPLICATION-  
FLUSH MOUNT WALL/CORNER, CEILING/WALL  
EXTERIOR CONDITION

DATE:	11-15-07
SCALE:	1:2
DOC:	CADJM.145/R3



For More Information Visit: [Inprocorp.com](http://Inprocorp.com)

REINF. EPDM VAPOR BARRIER  
(JL024-RVB) NOTE: SET IN  
CONT. BED OF BUTYL  
SEALANT (BY OTHERS)  
TERMINATE RVB AT OUTSIDE  
EDGES OF SYSTEM

CENTER BAR ALUM.  
ASSEMBLY (7 PER FRAME)  
(J616/621-A2)

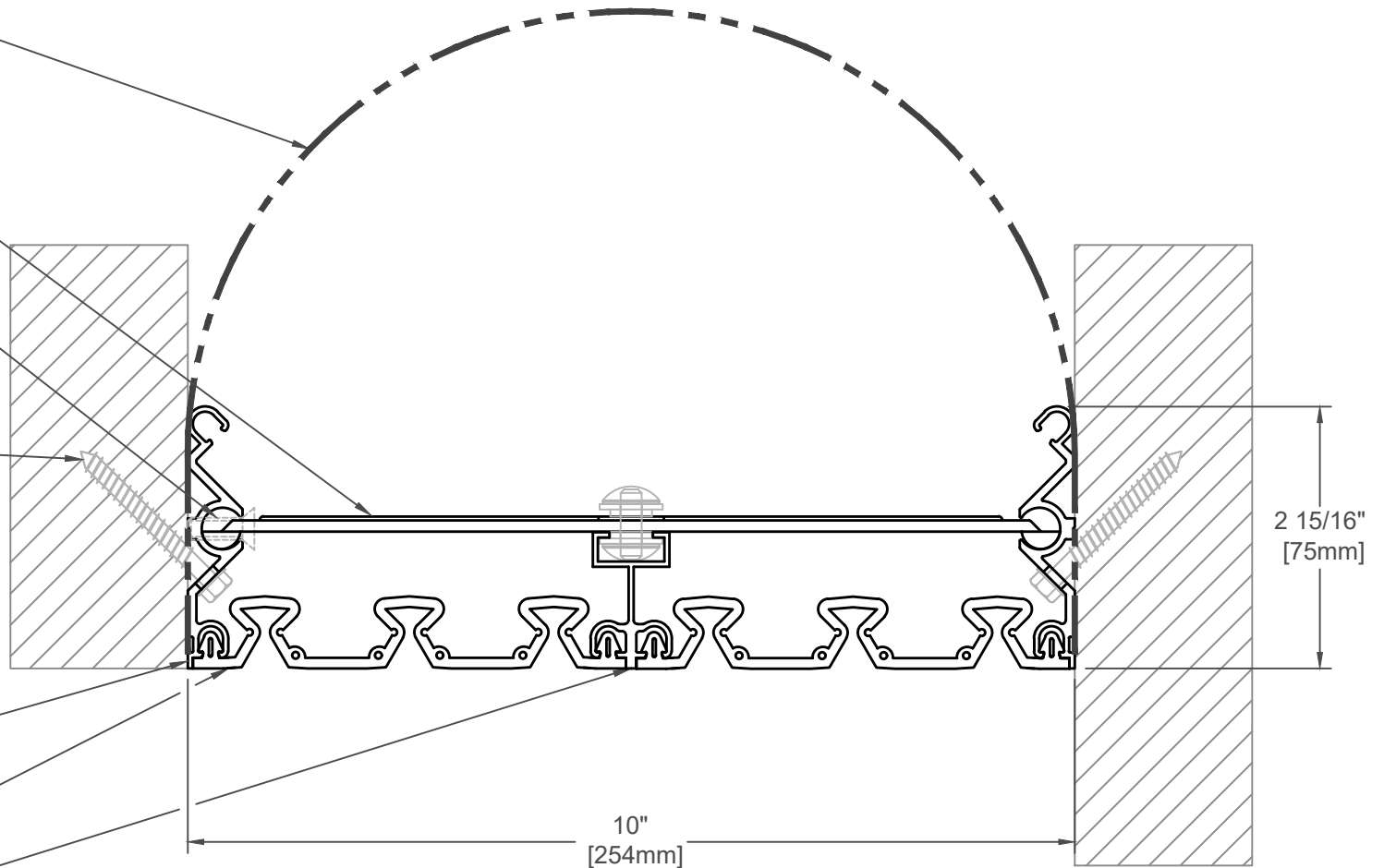
1/4-20 x 3/4" SS PH MACHINE  
SCREW ONE SIDE ONLY (8  
PER FRAME) (JKSS26)

1/4" x 2 1/4" [M6x56] HEX HEAD  
CONCRETE SCREW (7 PER  
FRAME @ 18" [457mm] O.C.)  
(JK001) WHERE ACCESSIBLE  
OR FASTEN FRAME WITH  
EPOXY ADHESIVE (BY  
OTHERS)

CONT. FLUSH MOUNT  
FRAME (J6A006-F1)

CONT. 5" [127mm]  
SANTOPRENE SEAL

CONT. CENTER FACESEAL  
FRAME (J6A008)



### 616-A09-250

JOINT WIDTH		MOVEMENT ±			
		HORIZONTAL		VERTICAL	
US	mm	US	mm	US	mm
10"	254	5"	127	5"	127

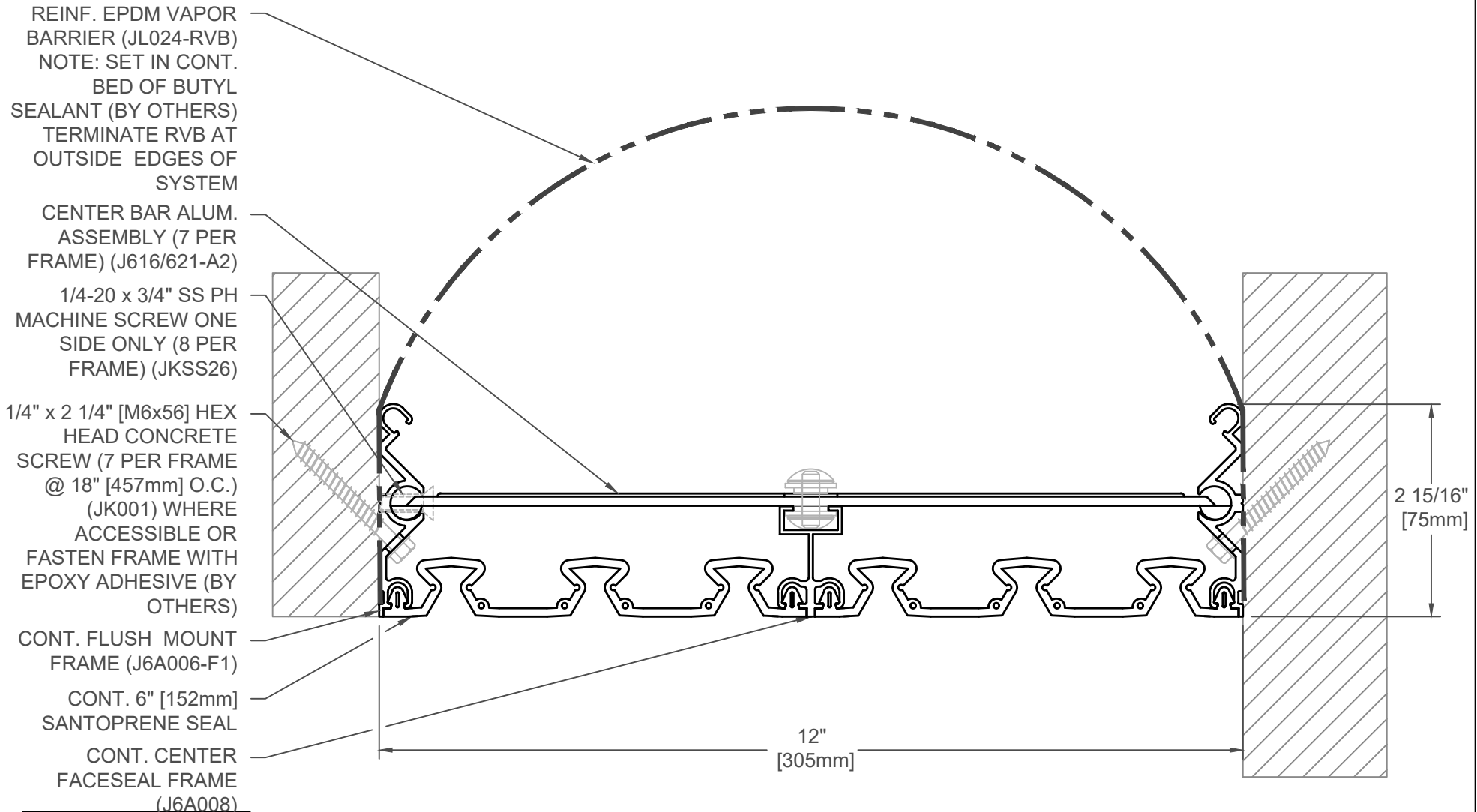
FINISH: ALUM. FINISH - MILL
PROJECT:
CUSTOMER:
LOCATION:

APPLICATION-  
FLUSH MOUNT WALL/CORNER, CEILING/WALL  
EXTERIOR CONDITION

DATE:	11-15-07
SCALE:	1:2
DOC:	CADJM.145/R3



For More Information Visit: [Inprocorp.com](http://Inprocorp.com)



SPECIFY SEAL COLOR:

Black (J6D601)	
Beige (J6D602)	
Gray (J6D603)	
Off White (J6D604)	
Bright White (J2D605)	

### 616-A09-300

JOINT WIDTH		MOVEMENT ±			
		HORIZONTAL		VERTICAL	
US	mm	US	mm	US	mm
12"	305	6"	152	6"	152

FINISH: ALUM. FINISH - MILL

PROJECT:

CUSTOMER:

LOCATION:

APPLICATION-  
FLUSH MOUNT WALL/CORNER, CEILING/WALL  
EXTERIOR CONDITION

DATE: 11-15-07

SCALE: 1:2

DOC: CADJM.145/R3



REINF. EPDM VAPOR BARRIER (JL036-RVB)  
 NOTE: SET IN CONT. BED OF BUTYL  
 SEALANT (BY OTHERS) TERMINATE RVB  
 AT OUTSIDE EDGES OF SYSTEM

CENTER BAR ALUM. ASSEMBLY  
 (6 PER FRAME) (J616/621-A3)

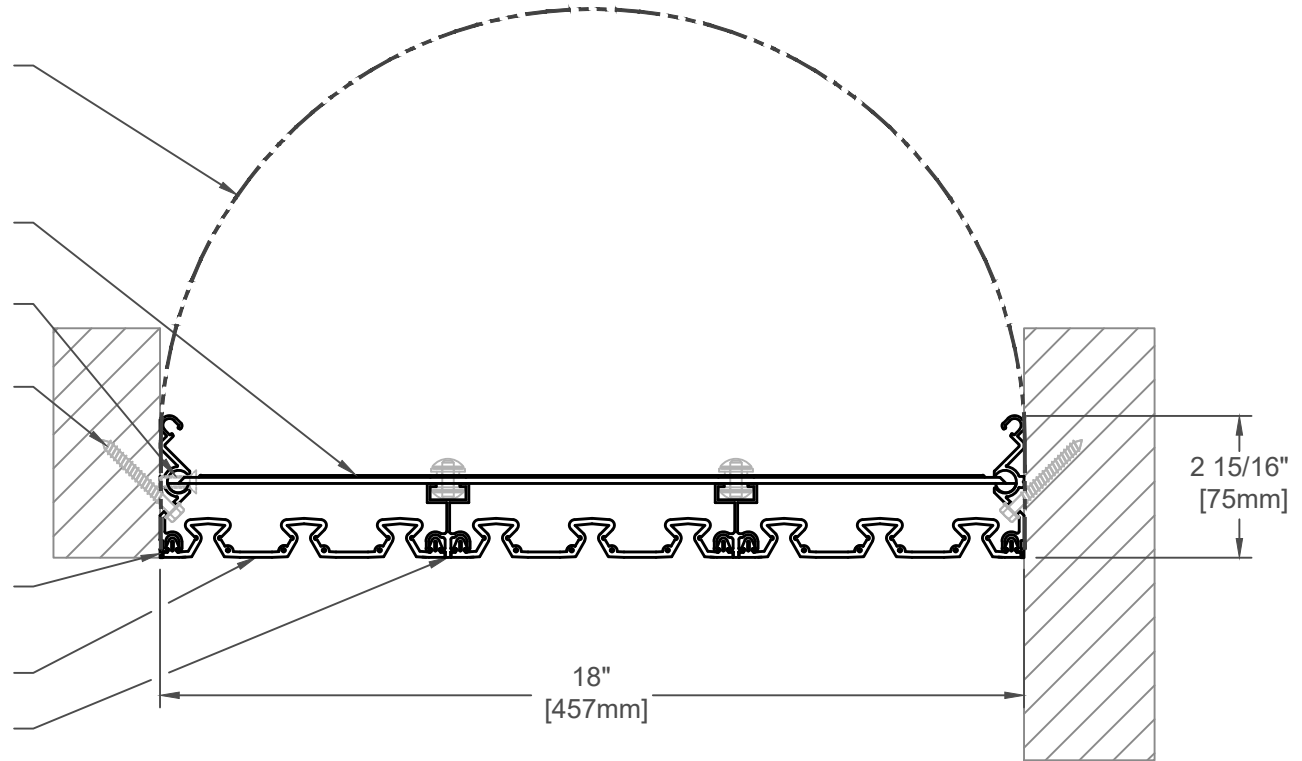
1/4-20 x 3/4" SS PH MACHINE SCREW ONE  
 SIDE ONLY (7 PER FRAME) (JKSS26)

1/4" x 2 1/4" [M6x56] HEX HEAD  
 CONCRETE SCREW (7 PER FRAME @  
 18" [457mm] O.C.) (JK001) WHERE  
 ACCESSIBLE OR FASTEN FRAME WITH  
 EPOXY ADHESIVE (BY OTHERS)

CONT. FLUSH MOUNT FRAME  
 (J6A006-F2)

CONT. 6" [152mm] SANTOPRENE SEAL

CONT. CENTER FACESEAL FRAME  
 (J6A008)



## 616-A09-450

JOINT WIDTH		MOVEMENT ±			
		HORIZONTAL		VERTICAL	
US	mm	US	mm	US	mm
18"	457	9"	229	6"	152

SPECIFY SEAL COLOR:	
Black (J6D601)	
Beige (J6D602)	
Gray (J6D603)	
Off White (J6D604)	
Bright White (J2D605)	

FINISH: ALUM. FINISH - MILL

PROJECT:

CUSTOMER:

LOCATION:

APPLICATION-  
 FLUSH MOUNT WALL/CORNER, CEILING/WALL  
 EXTERIOR CONDITION

DATE: 11-15-07

SCALE: 1:4

DOC: CADJM.145/R3

**inpro.**

For More Information Visit: [Inprocorp.com](http://Inprocorp.com)

REINF. EPDM VAPOR BARRIER (JL042-RVB) NOTE: SET IN CONT. BED OF BUTYL SEALANT (BY OTHERS) TERMINATE RVB AT OUTSIDE EDGES OF SYSTEM

CENTER BAR ALUM. ASSEMBLY (6 PER FRAME) (J616/621-A4)

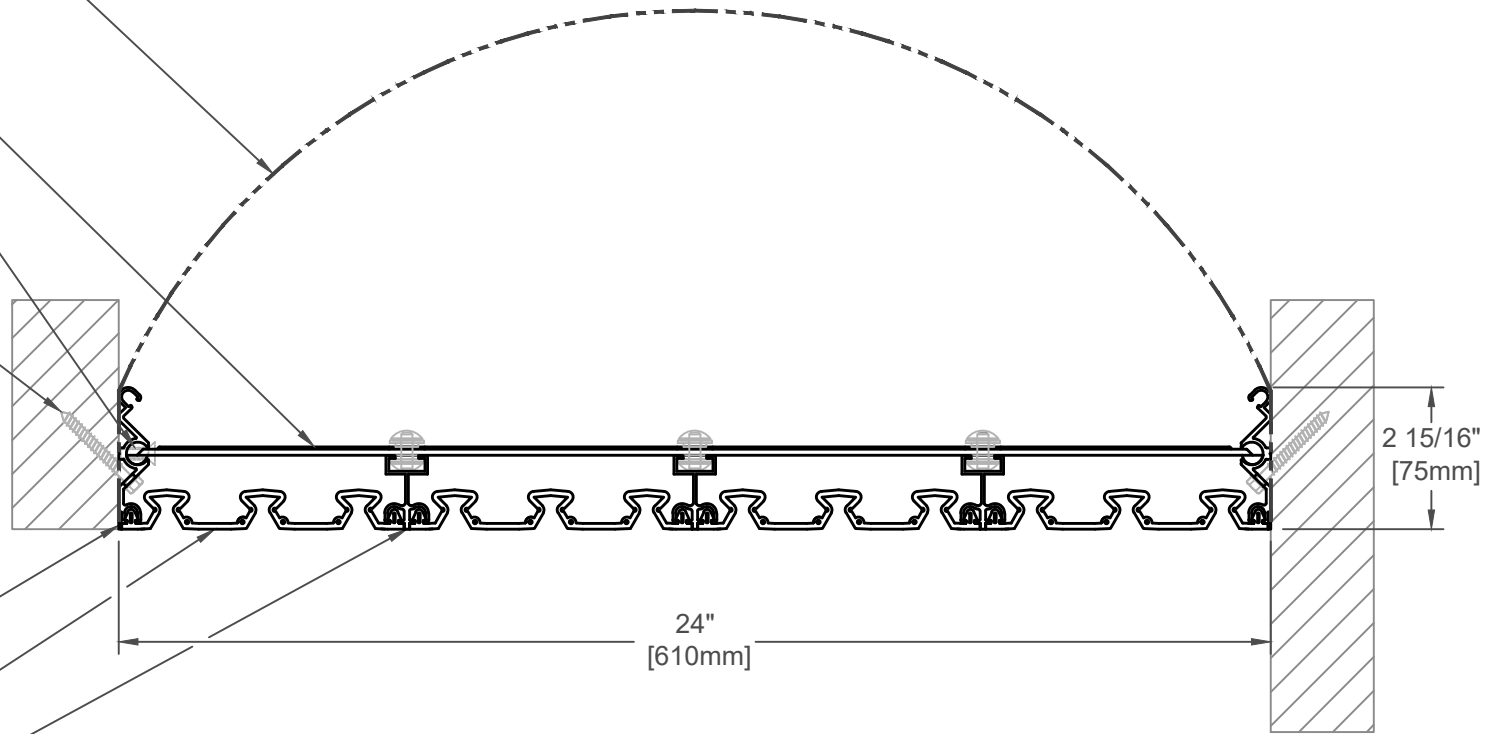
1/4-20 x 3/4" SS PH MACHINE SCREW ONE SIDE ONLY (8 PER FRAME) (JKSS26)

1/4" x 2 1/4" [M6x56] HEX HEAD CONCRETE SCREW (7 PER FRAME @ 18" [457mm] O.C.) (JK001) WHERE ACCESSIBLE OR FASTEN FRAME WITH EPOXY ADHESIVE (BY OTHERS)

CONT. FLUSH MOUNT FRAME (J6A006-F3)

CONT. 6" [152mm] SANTOPRENE SEAL

CONT. CENTER FACESEAL FRAME (J6A008)



## 616-A09-600

JOINT WIDTH		MOVEMENT ±			
		HORIZONTAL		VERTICAL	
US	mm	US	mm	US	mm
24"	610	12"	305	12"	305

SPECIFY SEAL COLOR:	
Black (J6D601)	
Beige (J6D602)	
Gray (J6D603)	
Off White (J6D604)	
Bright White (J2D605)	

FINISH: ALUM. FINISH - MILL

PROJECT:

CUSTOMER:

LOCATION:

APPLICATION-  
FLUSH MOUNT WALL/CORNER, CEILING/WALL  
EXTERIOR CONDITION

DATE: 11-15-07

SCALE: 1:4

DOC: CADJM.145/R3

**inpro.**

For More Information Visit: [Inprocorp.com](http://Inprocorp.com)