

Installation Instructions

Please read all instructions before installing kickplate.

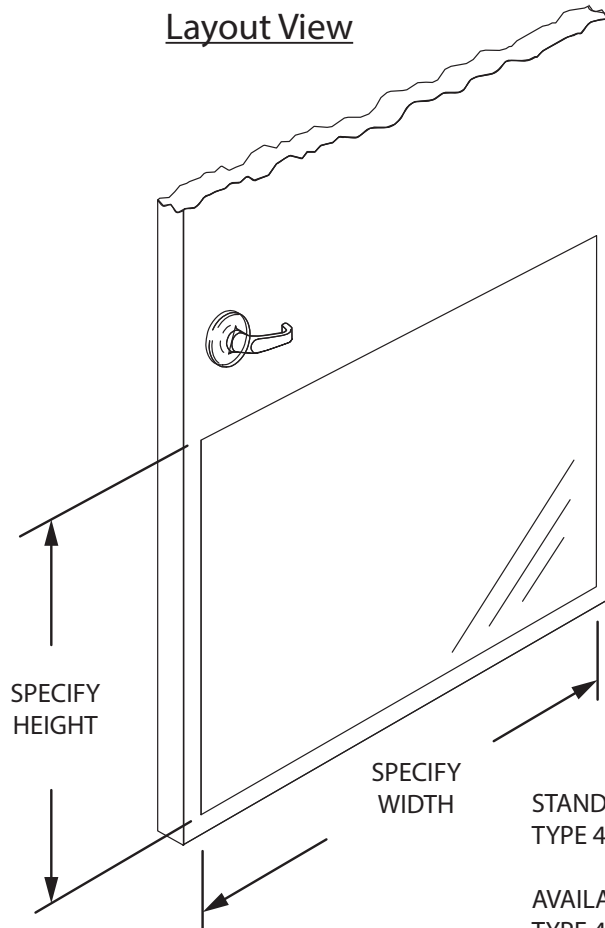
Stainless Steel Kickplate

Models 130, 130E, 130GS, 130GSE

Important

1. Acclimate materials 24 hrs before installation. Maintain temperature controlled environment after installation.
2. Install in accordance with manufacturer's installation instructions. Failure to do so will void the warranty.

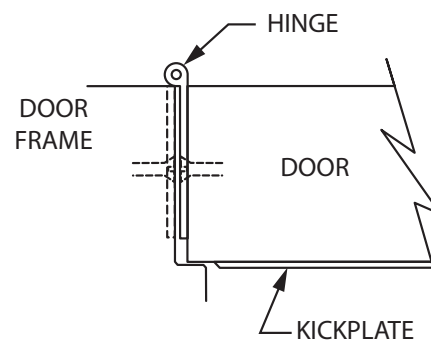
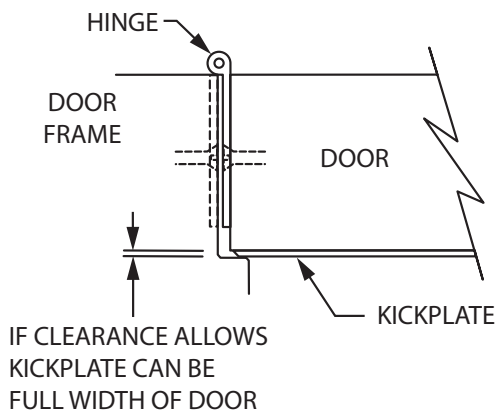
Layout View



STANDARD:
TYPE 430, 16 GAUGE

AVAILABLE:
TYPE 430, 14 AND 18 GAUGE
TYPE 304, 15 AND 16 GAUGE

Section View



Recommended tools

Safety Glasses, Tape Measure, Level, Power Drill or Phillips Screw Driver, Painters Tape and Caulk Gun

IPC.449/REV.6

Installation Hotline • 866.EZINPRO
Inprocorp.com • 800.222.5556 • 262.679.9010
World Headquarters S80 W18766 Apollo Drive, Muskego, WI 53150 USA

IPC®
DOOR + WALL PROTECTION SYSTEMS
A DIVISION OF INPRO®

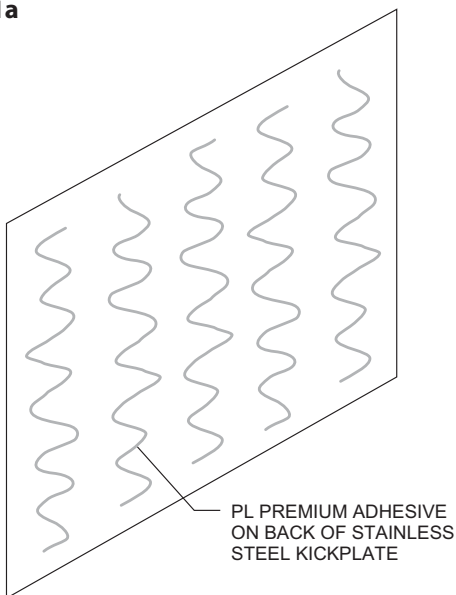
Installation Instructions

Please read all instructions before installing kickplate.

Stainless Steel Kickplate

Models 130, 130E, 130GS, 130GSE

FIG. 1a



1. The door surface must be dry and free of dirt, dust, oil, loose paint, wax and grease.

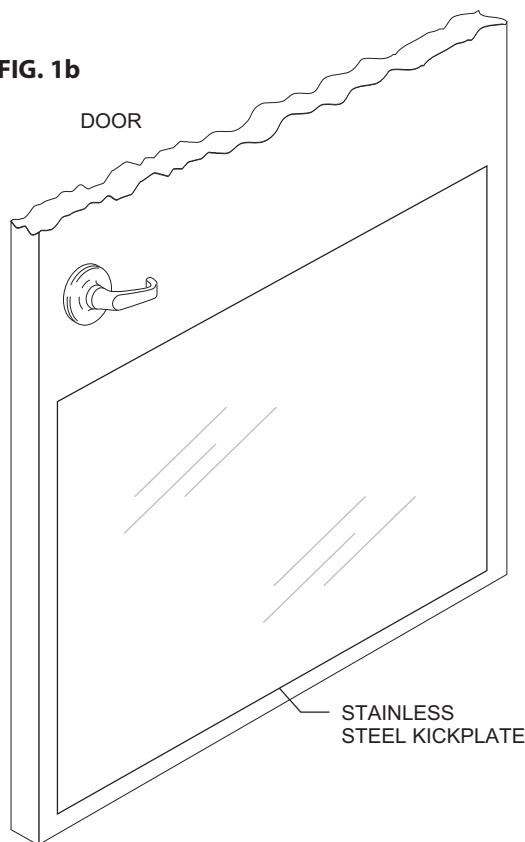
2. CEMENT-ON INSTALLATION

Apply a bead of PL Premium Heavy Duty Adhesive in a zig-zag pattern over the back of the kickplate. SEE FIG. 1a

Position the kickplate on the door and apply pressure until a tight fit is achieved. Painter's tape or clamping may be required to hold kickplate in position until the adhesive cures. Choose a tape that will not damage the doors' finish.

Remove the protective plastic coating from the exposed surface of the kickplate. SEE FIG. 1b

FIG. 1b



Installation Hotline • 866.EZINPRO

Inprocorp.com • 800.222.5556 • 262.679.9010

World Headquarters S80 W18766 Apollo Drive, Muskego, WI 53150 USA

IPC®

DOOR + WALL PROTECTION SYSTEMS
A DIVISION OF INPRO®

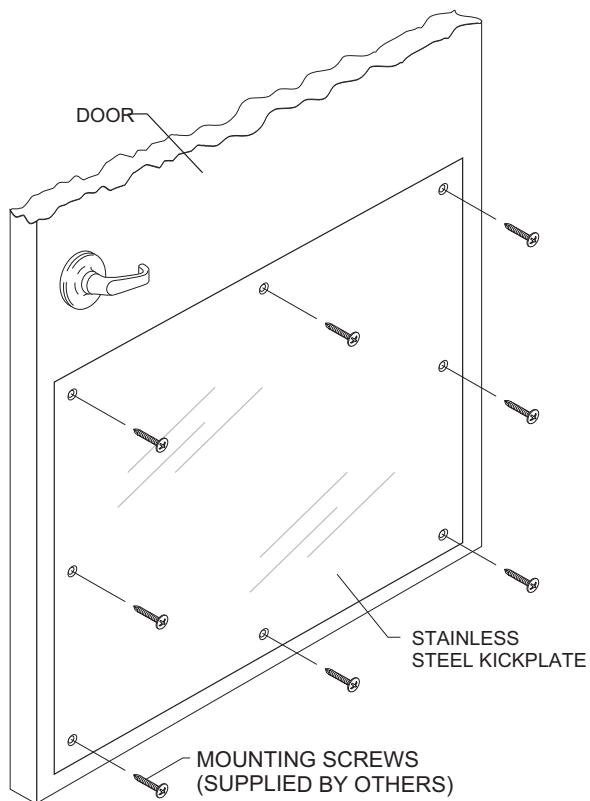
Installation Instructions

Please read all instructions before installing kickplate.

Stainless Steel Kickplate

Models 130, 130E, 130GS, 130GSE

FIG. 2



3. SCREW-ON INSTALLATION

Attach kickplate to door with provided hardware. Remove the protective plastic coating from the exposed surface of the kickplate. SEE FIG. 2

Installation Hotline • 866.EZINPRO

Inprocorp.com • 800.222.5556 • 262.679.9010

World Headquarters S80 W18766 Apollo Drive, Muskego, WI 53150 USA

IPC®

DOOR + WALL PROTECTION SYSTEMS
A DIVISION OF INPRO®