

141-A01-025

SPECIFY SEAL COLOR:	
Black (J1D101)	
Beige (J1D102)	
Gray (J1D103)	
Off White (J1D104)	
Bright White (J1D105)	

JOINT WIDTH		MOVEMENT ±			
		HORIZONTAL		VERTICAL	
US	mm	US	mm	US	mm
1"	25	1/4"	6	1/4"	6

NOTE:
TO DETERMINE BLOCKOUT DEPTH,
DEDUCT THICKNESS OF FLOOR
FINISH FROM FRAME HEIGHT.

FINISH: ALUM. FINISH-MILL

PROJECT:

CUSTOMER:

LOCATION:

APPLICATION
RECESSED FLOOR/FLOOR CONDITION
FLUSH PLATE

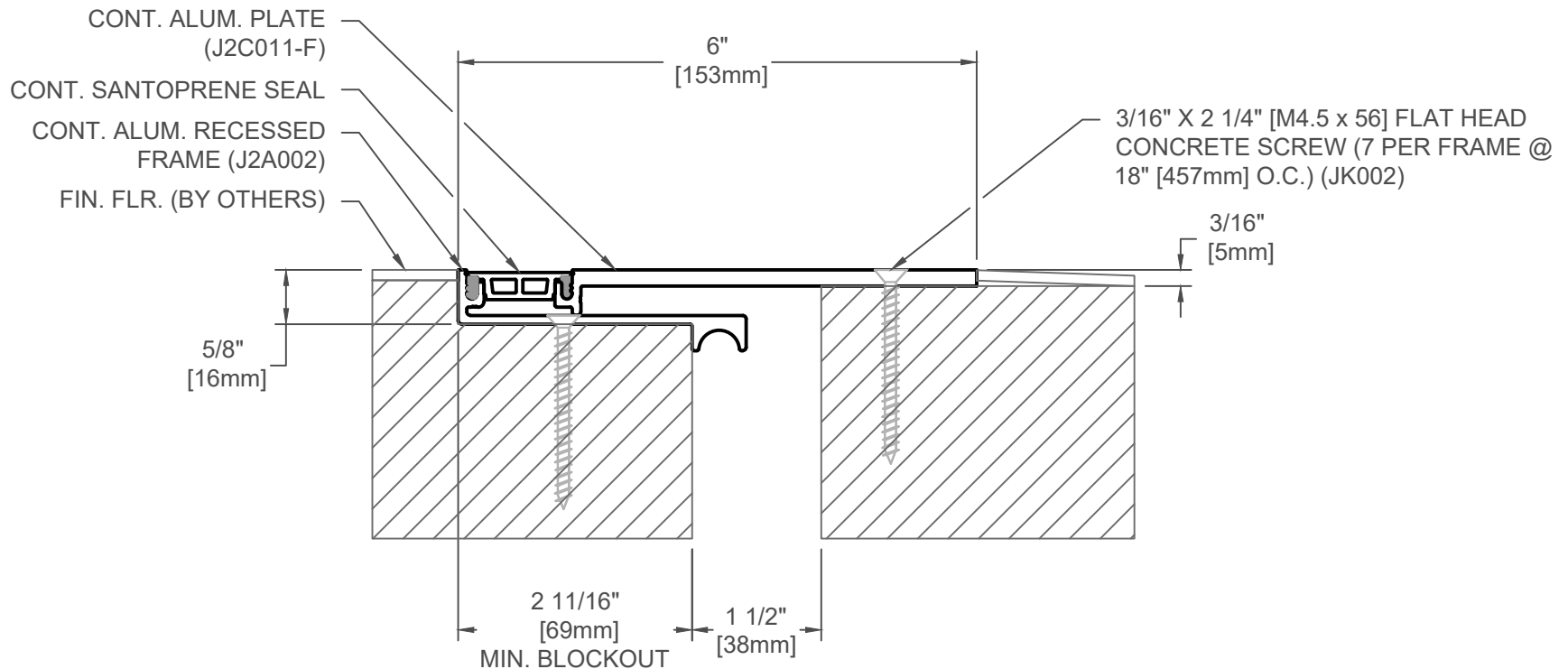
DATE: 03-03-17

SCALE: 1:2

DOC: CADJM.091/R1

inpro.

For More Information Visit: Inprocorp.com



141-A01-038

SPECIFY SEAL COLOR:	
Black (J1D151)	
Beige (J1D152)	
Gray (J1D153)	
Off White (J1D154)	
Bright White (J1D155)	

JOINT WIDTH		MOVEMENT ±			
		HORIZONTAL		VERTICAL	
US	mm	US	mm	US	mm
1-1/2"	38	3/8"	10	3/8"	10

NOTE:
TO DETERMINE BLOCKOUT DEPTH,
DEDUCT THICKNESS OF FLOOR
FINISH FROM FRAME HEIGHT.

FINISH: ALUM. FINISH-MILL

PROJECT:

CUSTOMER:

LOCATION:

APPLICATION
RECESSED FLOOR/FLOOR CONDITION
FLUSH PLATE

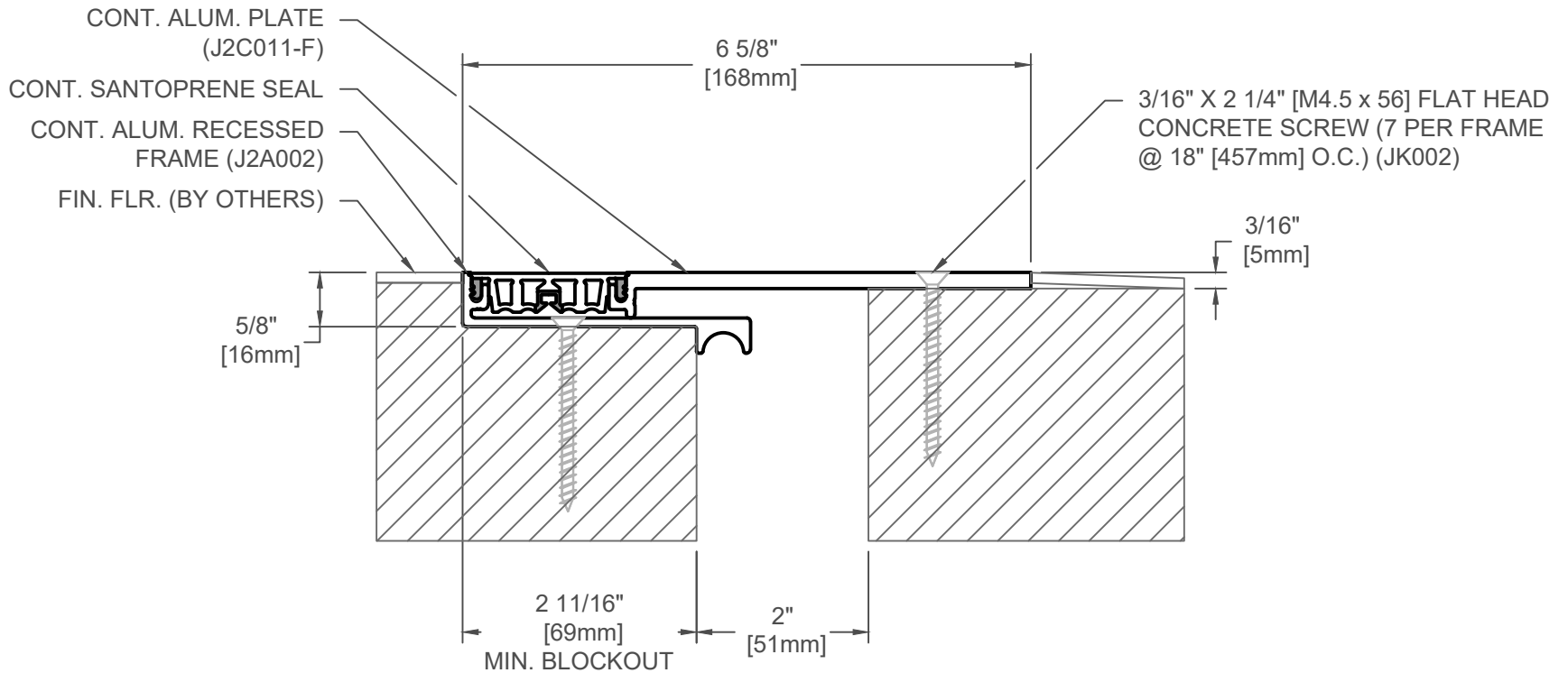
DATE: 03-03-17

SCALE: 1:2

DOC: CADJM.091/R1

inpro.

For More Information Visit: Inprocorp.com



SPECIFY SEAL COLOR:	
Black (J1D201)	
Beige (J1D202)	
Gray (J1D203)	
Off White (J1D204)	
Bright White (J1D205)	

141-A01-050

JOINT WIDTH		MOVEMENT ±			
		HORIZONTAL		VERTICAL	
US	mm	US	mm	US	mm
2"	51	1/2"	13	1/2"	13

NOTE:
TO DETERMINE BLOCKOUT DEPTH,
DEDUCT THICKNESS OF FLOOR
FINISH FROM FRAME HEIGHT.

FINISH: ALUM. FINISH-MILL

PROJECT:

CUSTOMER:

LOCATION:

APPLICATION
RECESSED FLOOR/FLOOR CONDITION
FLUSH PLATE

DATE: 03-03-17

SCALE: 1:2

DOC: CADJM.091/R1

inpro.

For More Information Visit: Inprocorp.com