

## 133-A01-050

SPECIFY SEAL COLOR:	
Black (J1D201)	
Beige (J1D202)	
Gray (J1D203)	
Off White (J1D204)	
Bright White (J1D205)	

JOINT WIDTH		MOVEMENT ±			
		HORIZONTAL		VERTICAL	
US	mm	US	mm	US	mm
2"	51	1/2"	13	1/2"	13

NOTE:  
TO DETERMINE BLOCKOUT DEPTH, DEDUCT THICKNESS OF FIN. FLR. FROM FRAME HEIGHT.

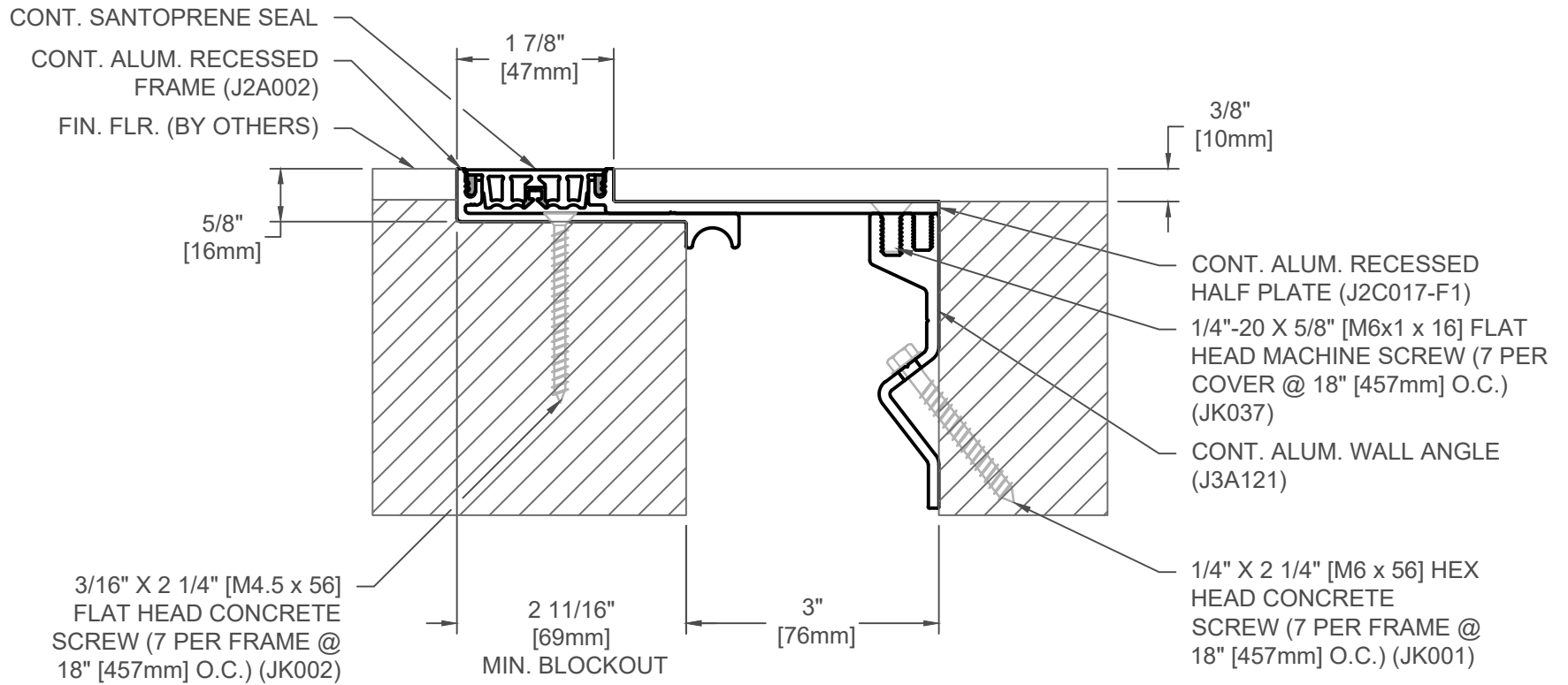
FINISH: ALUM. FINISH-MILL
PROJECT:
CUSTOMER:
LOCATION:

APPLICATION  
RECESSED FLOOR/FLOOR CONDITION

DATE:	03-03-17
SCALE:	1:2
DOC:	CADJM.089/R1

**inpro.**

For More Information Visit: [Inprocorp.com](http://Inprocorp.com)



SPECIFY SEAL COLOR:	
Black (J1D201)	
Beige (J1D202)	
Gray (J1D203)	
Off White (J1D204)	
Bright White (J1D205)	

## 133-A01-075

JOINT WIDTH		MOVEMENT ±			
		HORIZONTAL		VERTICAL	
US	mm	US	mm	US	mm
3"	76	3/4"	19	3/4"	19

NOTE:  
TO DETERMINE BLOCKOUT  
DEPTH, DEDUCT THICKNESS OF  
FIN. FLR. FROM FRAME HEIGHT.

FINISH: ALUM. FINISH-MILL
PROJECT:
CUSTOMER:
LOCATION:

APPLICATION  
RECESSED FLOOR/FLOOR CONDITION

DATE:	03-03-17
SCALE:	1:2
DOC:	CADJM.089/R1

**inpro.**

For More Information Visit: [Inprocorp.com](http://Inprocorp.com)