

120-A01-02538

SPECIFY SEAL COLOR:	
Black (J1D101)	
Beige (J1D102)	
Gray (J1D103)	
Off White (J1D104)	
Bright White (J1D105)	

JOINT WIDTH		MOVEMENT ±			
		HORIZONTAL		VERTICAL	
US	mm	US	mm	US	mm
1"	25	1/4"	6	1/4"	6

NOTE:
TO DETERMINE BLOCKOUT DEPTH, DEDUCT THICKNESS OF FIN. FLR. FROM FRAME HEIGHT.

FINISH: ALUM. FINISH-MILL

PROJECT:

CUSTOMER:

LOCATION:

APPLICATION-
RECESSED FLOOR/FLOOR CONDITION

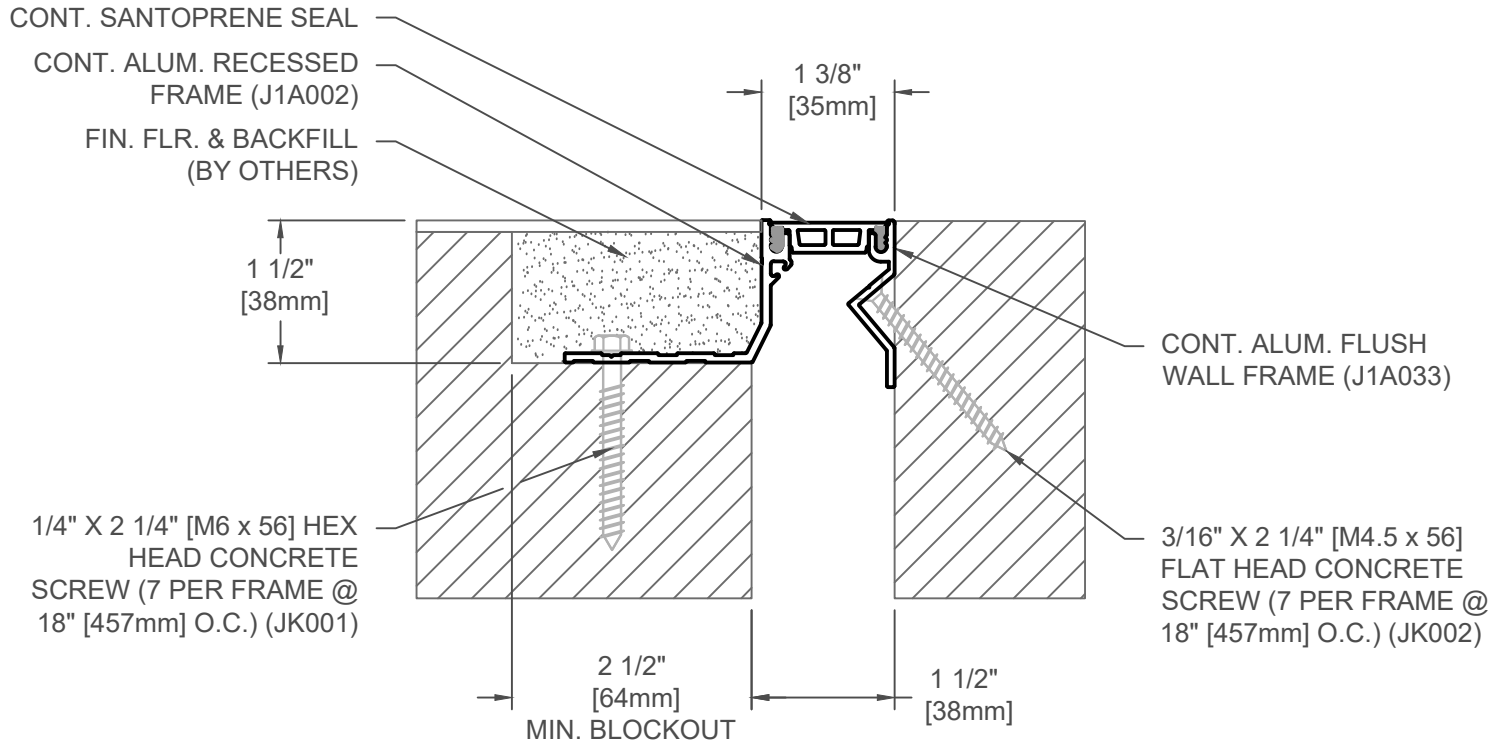
DATE: 03-03-17

SCALE: 1:2

DOC: CADJM.085/R1

inpro.

For More Information Visit: Inprocorp.com



120-A01-03838

SPECIFY SEAL COLOR:	
Black (J1D151)	
Beige (J1D152)	
Gray (J1D153)	
Off White (J1D154)	
Bright White (J1D155)	

JOINT WIDTH		MOVEMENT ±			
		HORIZONTAL		VERTICAL	
US	mm	US	mm	US	mm
1-1/2"	38	3/8"	10	3/8"	10

NOTE:
TO DETERMINE BLOCKOUT
DEPTH, DEDUCT THICKNESS OF
FIN. FLR. FROM FRAME HEIGHT.

FINISH: ALUM. FINISH-MILL
PROJECT:
CUSTOMER:
LOCATION:

APPLICATION-
RECESSED FLOOR/FLOOR CONDITION

DATE:	03-03-17
SCALE:	1:2
DOC:	CADJM.085/R1

inpro.

For More Information Visit: Inprocorp.com