

106-A01-025

SPECIFY SEAL COLOR:	
Black (J1D101)	
Beige (J1D102)	
Gray (J1D103)	
Off White (J1D104)	
Bright White (J1D105)	

JOINT WIDTH		MOVEMENT ±			
		HORIZONTAL		VERTICAL	
US	mm	US	mm	US	mm
1"	25	1/4"	6	1/4"	6

FINISH: ALUM. FINISH-MILL

PROJECT:

CUSTOMER:

LOCATION:

APPLICATION-
SURFACE MOUNT FLOOR/FLOOR
CONDITION
FOR 1/4" CARPET FLOORING

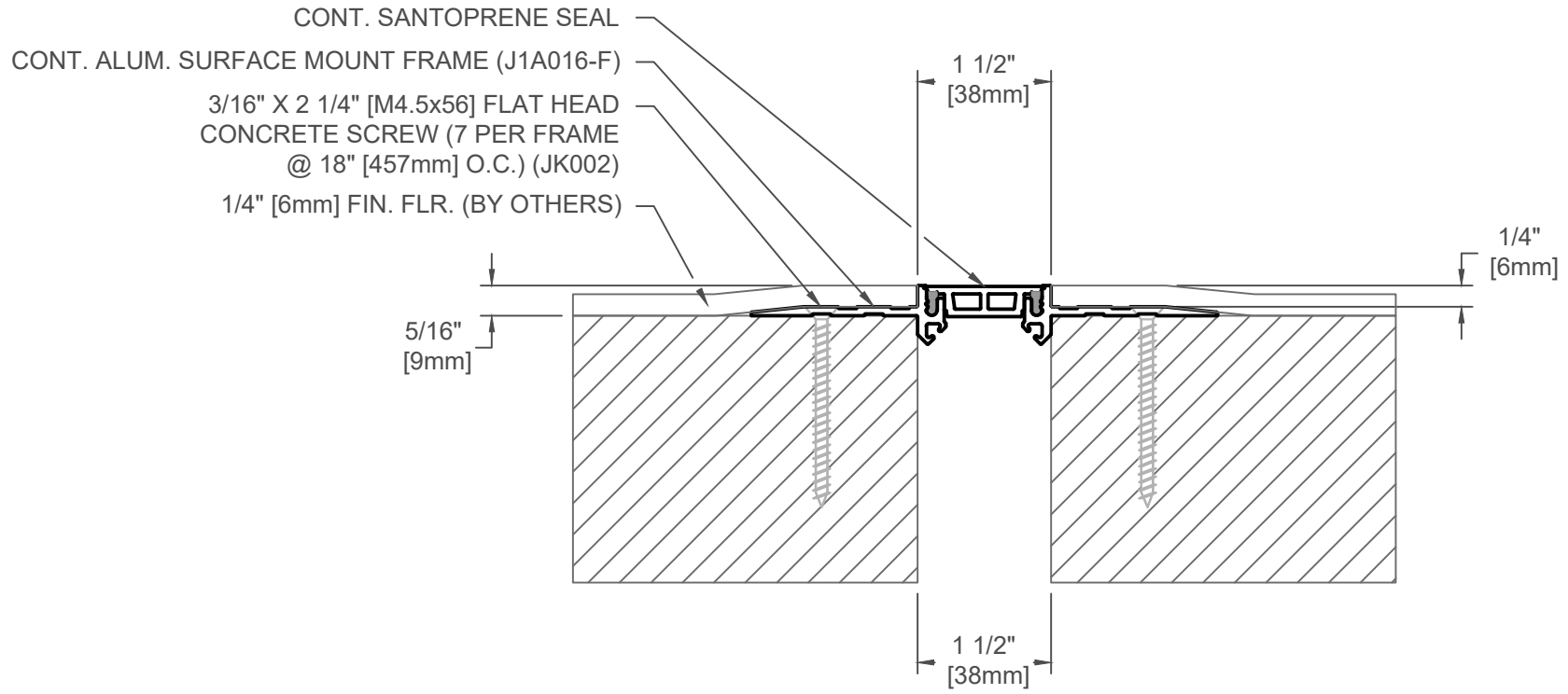
DATE: 03-01-17

SCALE: 1:2

DOC: CADJM.069/R1

inpro.

For More Information Visit: Inprocorp.com



106-A01-038

SPECIFY SEAL COLOR:	
Black (J1D151)	
Beige (J1D152)	
Gray (J1D153)	
Off White (J1D154)	
Bright White (J1D155)	

JOINT WIDTH		MOVEMENT ±			
		HORIZONTAL		VERTICAL	
US	mm	US	mm	US	mm
1-1/2"	38	3/8"	10	3/8"	10

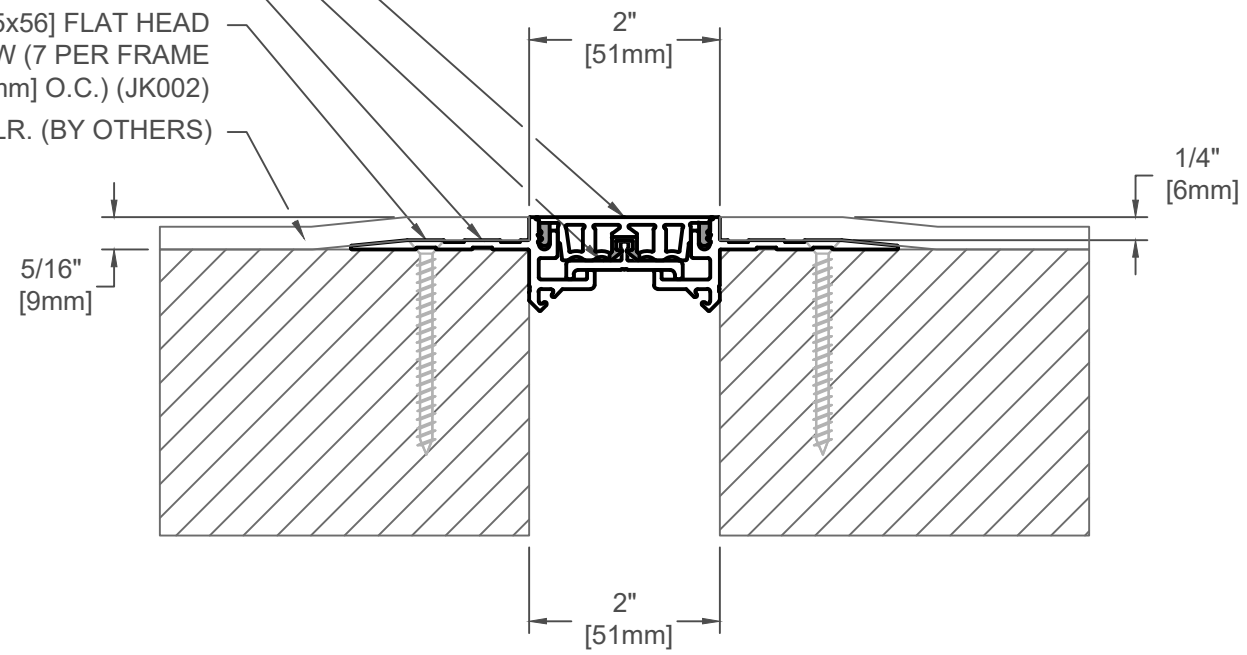
FINISH: ALUM. FINISH-MILL
PROJECT:
CUSTOMER:
LOCATION:

APPLICATION-
SURFACE MOUNT FLOOR/FLOOR
CONDITION
FOR 1/4" CARPET FLOORING

DATE:	03-01-17
SCALE:	1:2
DOC:	CADJM.069/R1

For More Information Visit: Inprocorp.com

- CONT. SANTOPRENE SEAL
- CONT. ALUM. SUPPORT PLATE (J1E001)
- CONT. ALUM. SURFACE MOUNT FRAME (J1A017-F)
- 3/16" X 2 1/4" [M4.5x56] FLAT HEAD CONCRETE SCREW (7 PER FRAME @ 18" [457mm] O.C.) (JK002)
- 1/4" [6mm] FIN. FLR. (BY OTHERS)



106-A01-050

SPECIFY SEAL COLOR:	
Black (J1D201)	
Beige (J1D202)	
Gray (J1D203)	
Off White (J1D204)	
Bright White (J1D205)	

JOINT WIDTH		MOVEMENT ±			
		HORIZONTAL		VERTICAL	
US	mm	US	mm	US	mm
2"	51	1/2"	13	1/2"	13

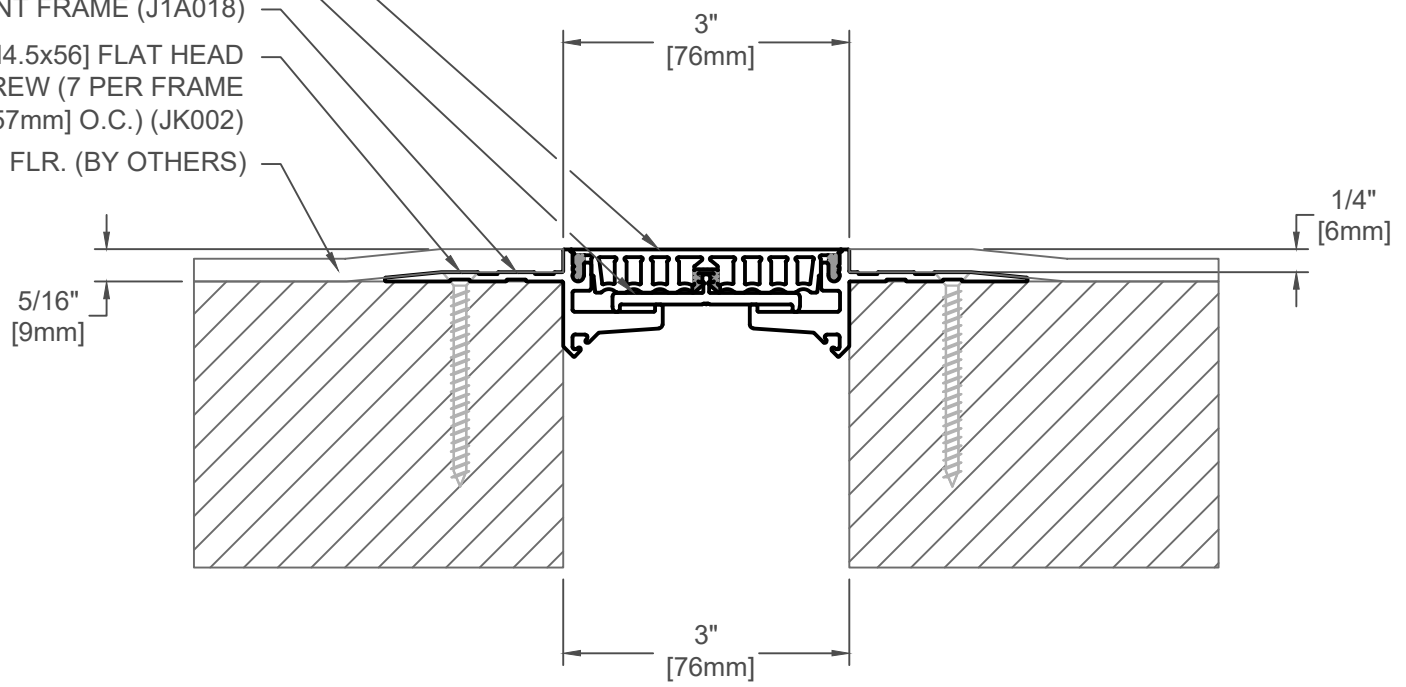
FINISH: ALUM. FINISH-MILL
PROJECT:
CUSTOMER:
LOCATION:

APPLICATION-
SURFACE MOUNT FLOOR/FLOOR
CONDITION
FOR 1/4" CARPET FLOORING

DATE:	03-01-17
SCALE:	1:2
DOC:	CADJM.069/R1

inpro.
For More Information Visit: Inprocorp.com

- CONT. SANTOPRENE SEAL
- CONT. ALUM. SUPPORT PLATE (J1E002)
- CONT. ALUM. SURFACE MOUNT FRAME (J1A018)
- 3/16" X 2 1/4" [M4.5x56] FLAT HEAD CONCRETE SCREW (7 PER FRAME @ 18" [457mm] O.C.) (JK002)
- 1/4" [6mm] FIN. FLR. (BY OTHERS)



106-A01-075

SPECIFY SEAL COLOR:	
Black (J1D301)	
Beige (J1D302)	
Gray (J1D303)	
Off White (J1D304)	
Bright White (J1D305)	

JOINT WIDTH		MOVEMENT ±			
		HORIZONTAL		VERTICAL	
US	mm	US	mm	US	mm
3"	76	3/4"	19	3/4"	19

FINISH: ALUM. FINISH-MILL
PROJECT:
CUSTOMER:
LOCATION:

APPLICATION-
SURFACE MOUNT FLOOR/FLOOR
CONDITION
FOR 1/4" CARPET FLOORING

DATE:	03-01-17
SCALE:	1:2
DOC:	CADJM.069/R1

inpro.
For More Information Visit: Inprocorp.com