

101-A02-02538

SPECIFY SEAL COLOR:	
Black (J1D101)	
Beige (J1D102)	
Gray (J1D103)	
Off White (J1D104)	
Bright White (J1D105)	

JOINT WIDTH		MOVEMENT ±			
		HORIZONTAL		VERTICAL	
US	mm	US	mm	US	mm
1"	25	1/4"	6	1/4"	6

NOTE: TO DETERMINE BLOCKOUT DEPTH, DEDUCT THICKNESS OF FLOOR FINISH FROM FRAME HEIGHT.

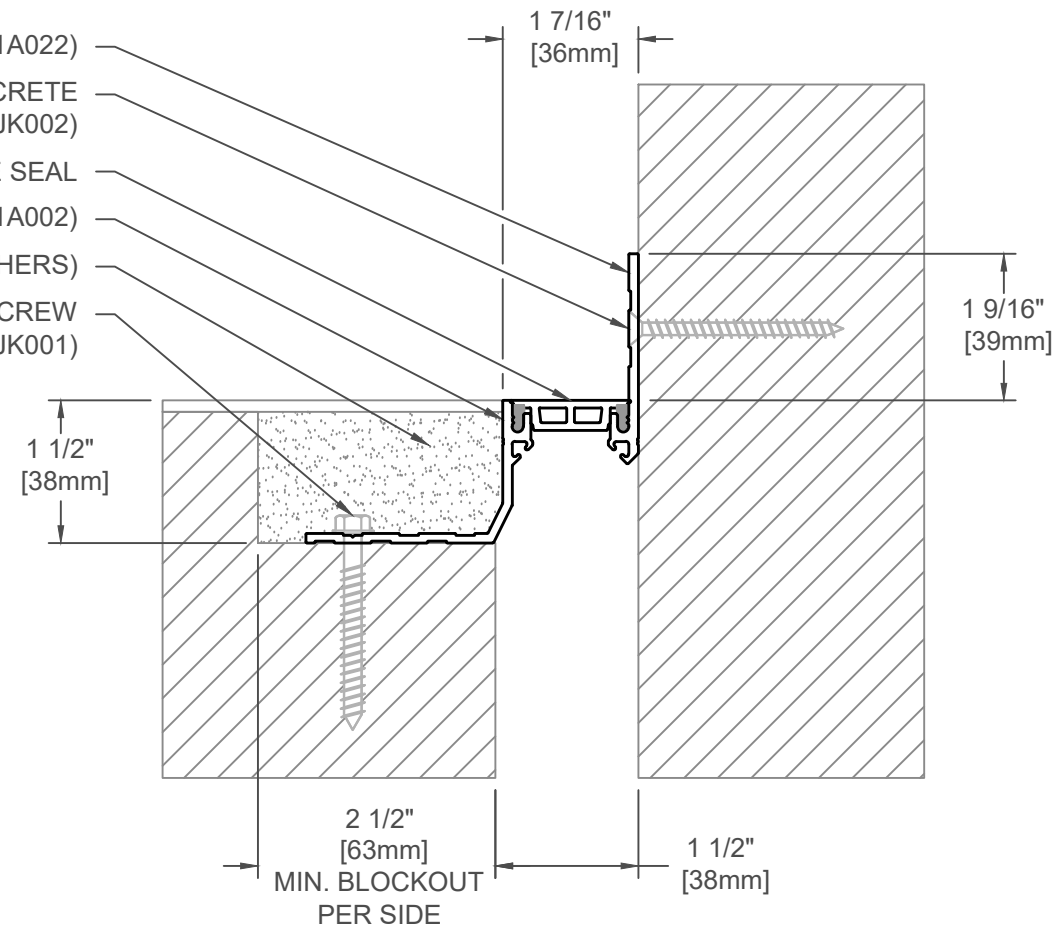
FINISH: ALUM. FINISH-MILL
PROJECT:
CUSTOMER:
LOCATION:

APPLICATION-
RECESSED FLOOR/WALL CONDITION

DATE:	02-13-17
SCALE:	1:2
DOC#	ADJM.057/Rev1



- CONT. ALUM. WALL FRAME (J1A022)
- 3/16" X 2 1/4" [M4.5x56] FLAT HEAD CONCRETE SCREW (7 PER FRAME @ 18" [457mm] O.C.) (JK002)
- CONT. SANTOPRENE SEAL
- CONT. ALUM. RECESSED FRAME (J1A002)
- FIN. FLR. & BACKFILL (BY OTHERS)
- 1/4" X 2 1/4" [M6x56] HEX HEAD CONCRETE SCREW (7 PER FRAME @ 18" [457mm] O.C.) (JK001)



101-A02-03838

SPECIFY SEAL COLOR:	
Black (J1D151)	
Beige (J1D152)	
Gray (J1D153)	
Off White (J1D154)	
Bright White (J1D155)	

JOINT WIDTH		MOVEMENT ±			
		HORIZONTAL		VERTICAL	
US	mm	US	mm	US	mm
1-1/2"	38	3/8"	10	3/8"	10

NOTE: TO DETERMINE BLOCKOUT DEPTH, DEDUCT THICKNESS OF FLOOR FINISH FROM FRAME HEIGHT.

FINISH: ALUM. FINISH-MILL
PROJECT:
CUSTOMER:
LOCATION:

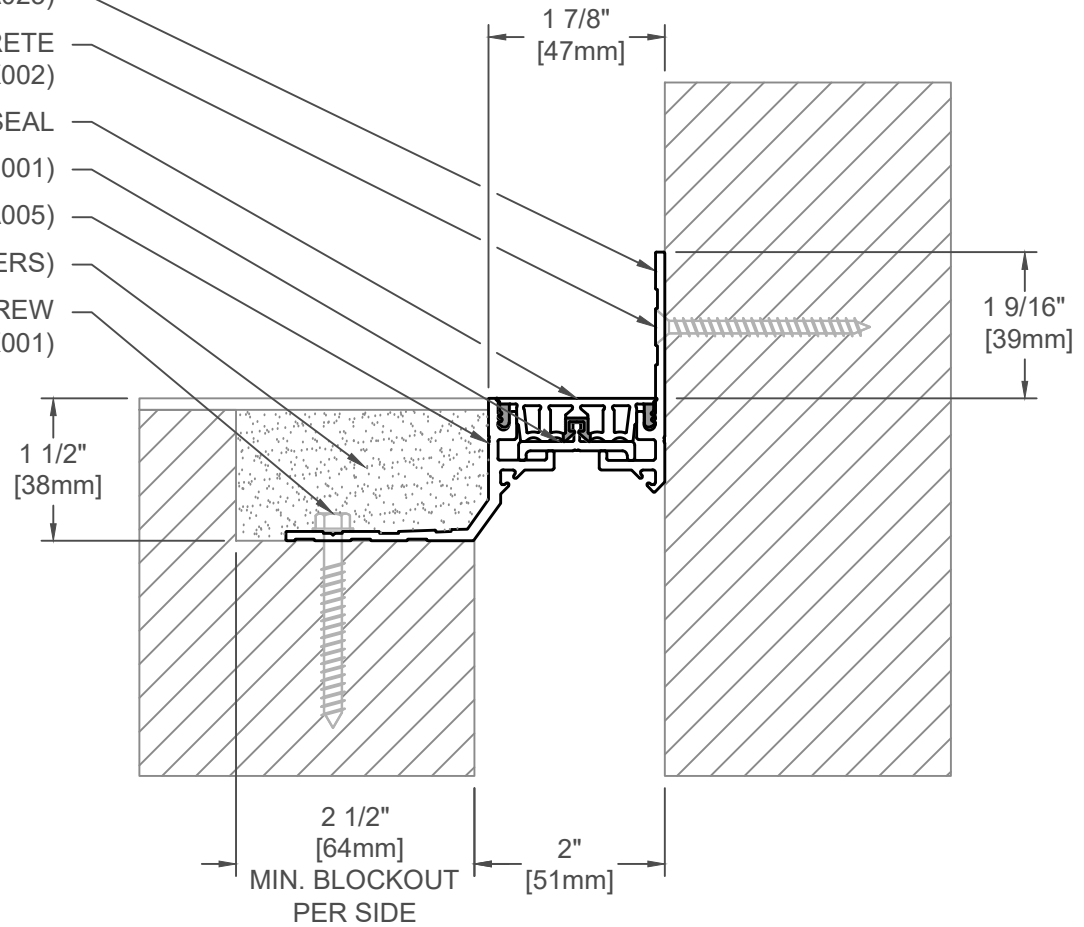
APPLICATION-
RECESSED FLOOR/WALL CONDITION

DATE:	02-13-17
SCALE:	1:2
DOC#	ADJM.057/Rev1



For More Information Visit: Inprocorp.com

- CONT. ALUM. WALL FRAME (J1A023)
- 3/16" X 2 1/4" [M4.5x56] FLAT HEAD CONCRETE SCREW (7 PER FRAME @ 18" [457mm] O.C.) (JK002)
- CONT. SANTOPRENE SEAL
- CONT. ALUM. SUPPORT PLATE (J1E001)
- CONT. ALUM. RECESSED FRAME (J1A005)
- FIN. FLR. & BACKFILL (BY OTHERS)
- 1/4" X 2 1/4" [M6x56] HEX HEAD CONCRETE SCREW (7 PER FRAME @ 18" [457mm] O.C.) (JK001)



101-A02-05038

SPECIFY SEAL COLOR:	
Black (J1D201)	
Beige (J1D202)	
Gray (J1D203)	
Off White (J1D204)	
Bright White (J1D205)	

JOINT WIDTH		MOVEMENT ±			
		HORIZONTAL		VERTICAL	
US	mm	US	mm	US	mm
2"	51	1/2"	13	1/2"	13

NOTE: TO DETERMINE BLOCKOUT DEPTH, DEDUCT THICKNESS OF FLOOR FINISH FROM FRAME HEIGHT.

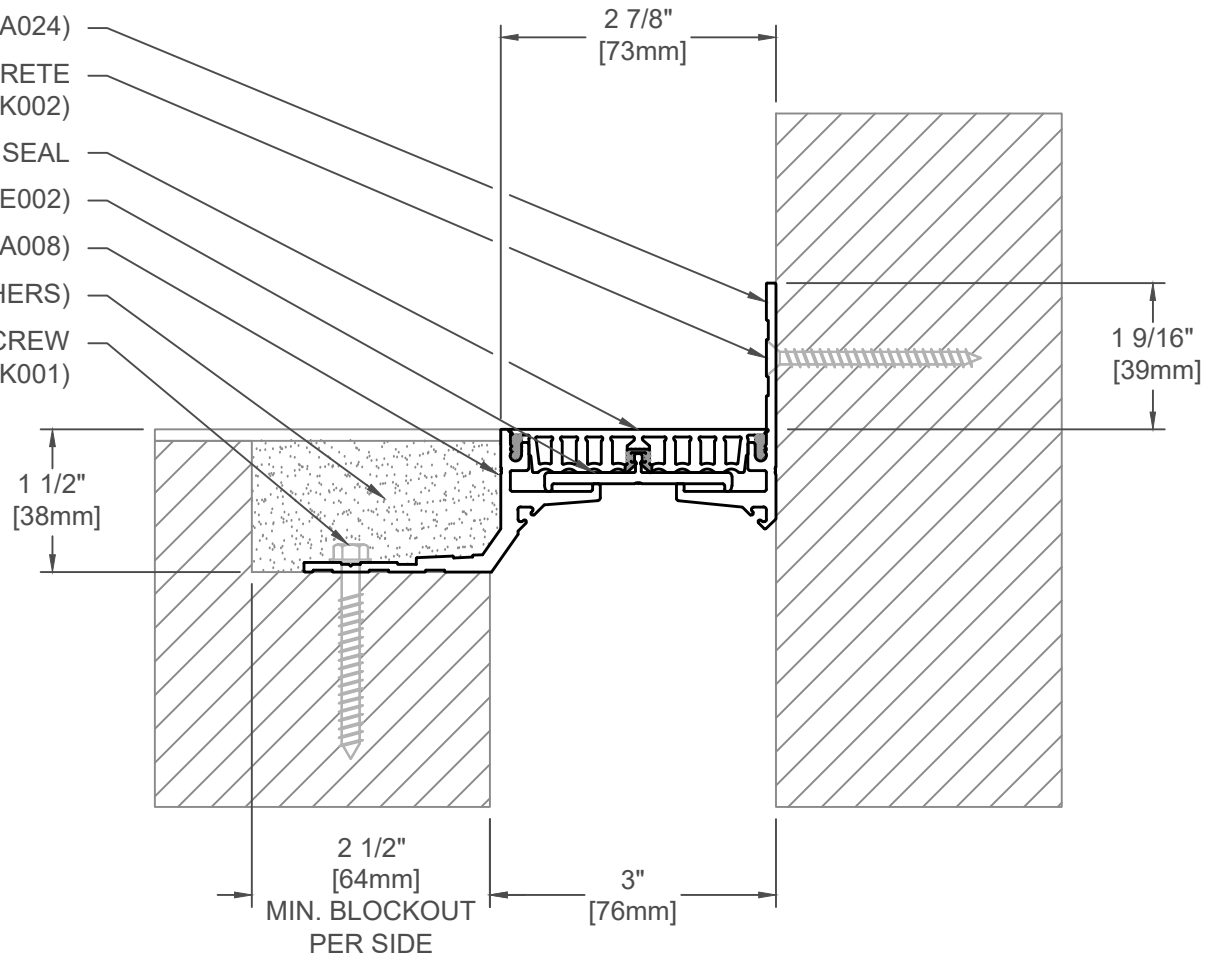
FINISH: ALUM. FINISH-MILL
PROJECT:
CUSTOMER:
LOCATION:

APPLICATION-
RECESSED FLOOR/WALL CONDITION

DATE:	02-13-17
SCALE:	1:2
DOC#	ADJM.057/Rev1

For More Information Visit: Inprocorp.com

- CONT. ALUM. WALL FRAME (J1A024)
- 3/16" X 2 1/4" [M4.5x56] FLAT HEAD CONCRETE SCREW (7 PER FRAME @ 18" [457mm] O.C.) (JK002)
- CONT. SANTOPRENE SEAL
- CONT. ALUM. SUPPORT PLATE (J1E002)
- CONT. ALUM. RECESSED FRAME (J1A008)
- FIN. FLR. & BACKFILL (BY OTHERS)
- 1/4" X 2 1/4" [M6x56] HEX HEAD CONCRETE SCREW (7 PER FRAME @ 18" [457mm] O.C.) (JK001)



SPECIFY SEAL COLOR:	
Black (J1D301)	
Beige (J1D302)	
Gray (J1D303)	
Off White (J1D304)	
Bright White (J1D305)	

101-A02-07538

JOINT WIDTH		MOVEMENT ±			
		HORIZONTAL		VERTICAL	
US	mm	US	mm	US	mm
3"	76	3/4"	19	3/4"	19

NOTE: TO DETERMINE BLOCKOUT DEPTH, DEDUCT THICKNESS OF FLOOR FINISH FROM FRAME HEIGHT.

FINISH: ALUM. FINISH-MILL
PROJECT:
CUSTOMER:
LOCATION:

APPLICATION-
RECESSED FLOOR/WALL CONDITION

DATE:	02-13-17
SCALE:	1:2
DOC#	ADJM.057/Rev1



For More Information Visit: Inprocorp.com