

# Installation Instructions

## Palladium Wall Panels - Adhesive

### Factory Finished Edges and Field Cut Edges

---

Please read all instructions before installing Palladium Wall Panel System.

1. Before installation:

- a. Acclimate Palladium Panels, Reveals, adhesives and wall substrates to room temperature 24 hours before installation. Ensure panels are on a level surface while acclimating.
- b. 24 hours before, during and 48 hours after installation, maintain a building temperature between 70-80 F and keep humidity below 80%.
- c. Substrate must be dry, well sealed and free of dirt, loose paint, wax and grease. Glossy surfaces may require sanding or priming to help promote adhesion.
- d. Remove any coatings designed to improve clean- up as these coatings may affect adhesion.

Tools:

Chalk Line or Laser Level, Level, Straight Edge, Tape Measure, Drop Cloth, Painter Tape, Utility knife, Power Miter Box, Carbide tipped saw blade with 60-80 teeth, Pneumatic Brad Nailer, 1-1/2" Brad Nails, PL Premium™ Adhesive, Color Matched Fill Stick, Vinylseal Color Matched Caulk, Boss Silicone.

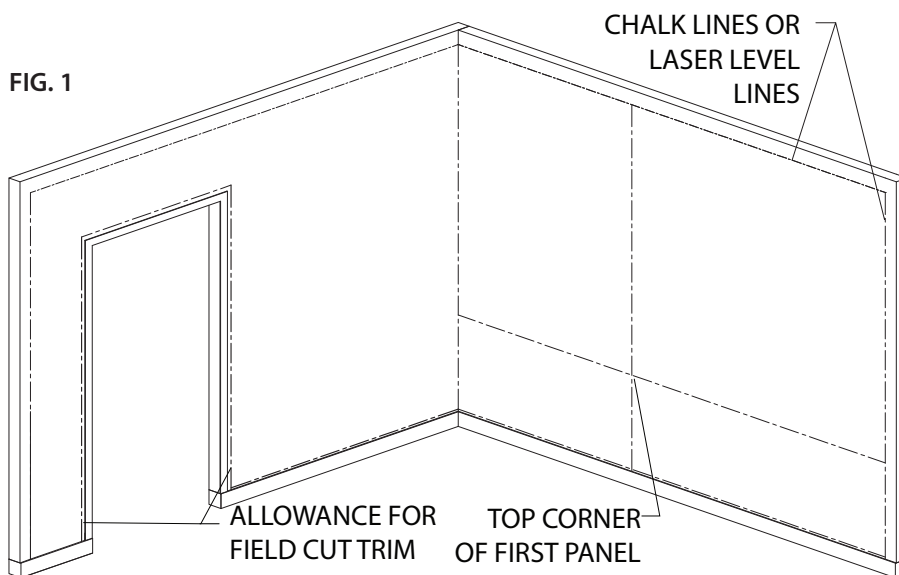
Field Cutting Tips:

1. All panels shipped are a standard size which has been determined for the layout, if custom sizes are required, it is the responsibility of the architect or contractor to create accurate field dimensions and layouts for panel production. When cutting in field, use a table saw or circular saw equipped with a carbide tooled blade. ALWAYS use a straight edge when cutting an edge. ALWAYS use the cut edge at the beginning or end of a run.
2. When using trim pieces, it is best to take measurements of wall before installation, to attribute for deductions allowances for corner and door frame trim.

---

Install Instructions:

1. Before installation, refer to back of installation instructions for corner and door trim conditions. Determine the location of the trim pieces, perimeter and panels as per layout. Prior to installation review project drawings, if available.
  - a. Create a plumb line at the first panel location. This will become the starting point of the installation, begin at center of layout working outward and up on both sides. (Fig. 1)



IPC.595/Rev.2

# Installation Instructions

## Palladium Wall Panels - Adhesive

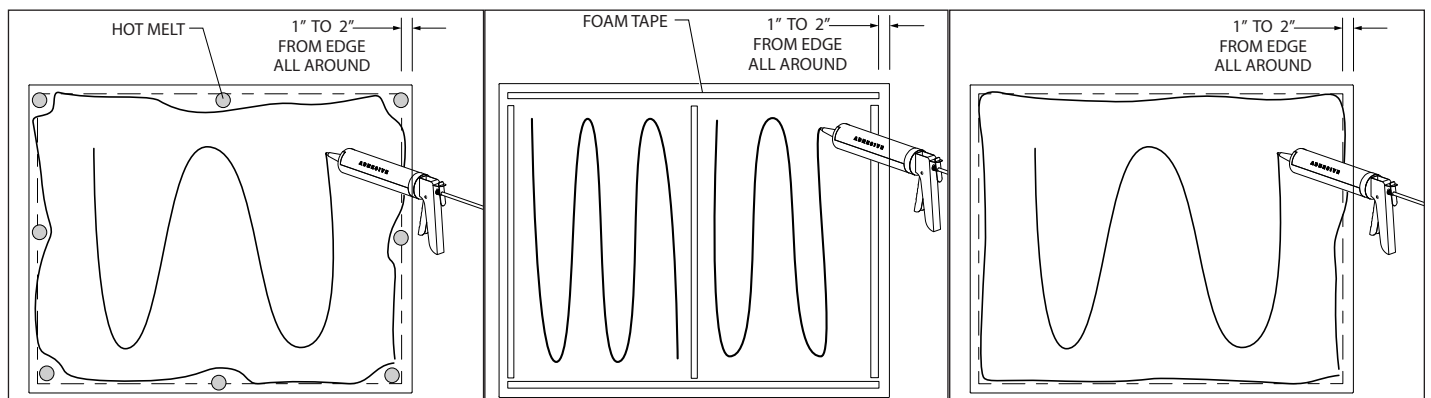
### Factory Finished Edges and Field Cut Edges

2. Dry fit panel to layout lines, prior to applying adhesive.
3. Apply Adhesive to back of panel. (Fig. 2)
  - a. Place panel on a clean, protected working surface ensuring the finished surface does not become damaged.
  - b. **HOT MELT INSTALLATION:** Apply PL Premium™ adhesive in a ¼" bead around the perimeter of the panel, about 1" to 2" distance from the edge, continue to apply the bead through the center of the panels 18" on center. Apply quarter size dabs of hot melt glue to each corner and in the center of each edge around perimeter of the panel, for larger panels use larger dabs to increase time hot melt is workable. (Fig. 2)
  - c. **FOAM TAPE INSTALLATION:** Use double sided foam tape applied around outside edge of panel and down center as needed, DO NOT remove release liner from exposed side of foam tape until panel is to be installed. Apply PL Premium™ to back of panel. Dry fit panel to wall (Fig. 2a)
  - d. **PIN NAIL INSTALLATION:** Apply PL Premium™ adhesive in a ¼" bead around the perimeter of the panel, about 1" to 2" distance from the edge, continue to apply the bead through the center of the panels 18" on center. (Fig. 2b)

FIG. 2

FIG. 2a

FIG. 2b



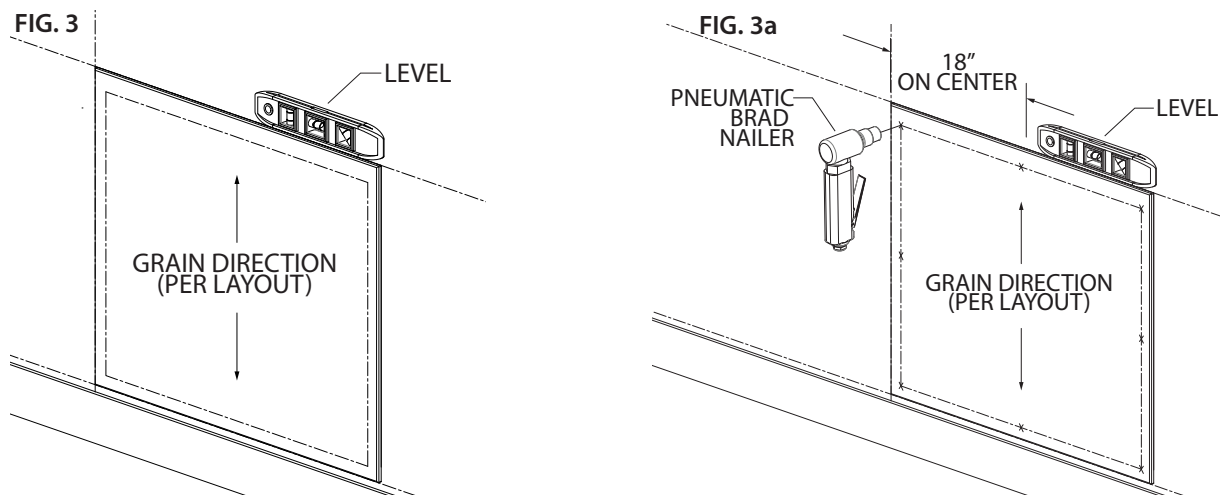
4. Apply panel to wall at desired location with even pressure. Ensure panel is parallel and even with established layout lines, always double check with a level to ensure panel is square. (Fig. 3)
 

**IMPORTANT:** When installing panels, always be conscious of grain direction.

  - a. If pin nailing, once panel is positioned pin nail perimeter of panel using 18 gauge brad nails. In each corner and 18" on center. (Fig. 3a)

FIG. 3

FIG. 3a



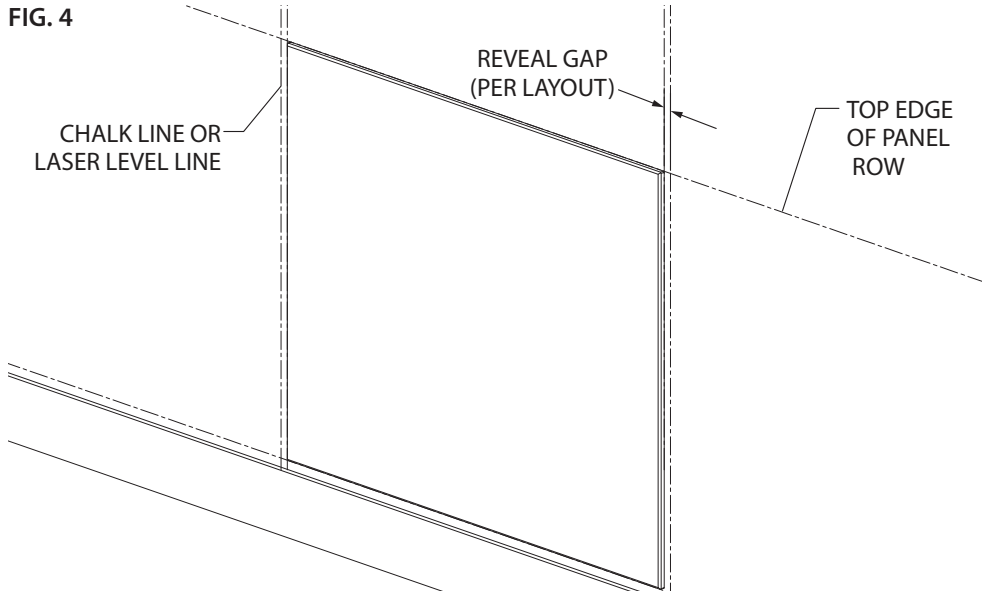
# Installation Instructions

## Palladium Wall Panels - Adhesive

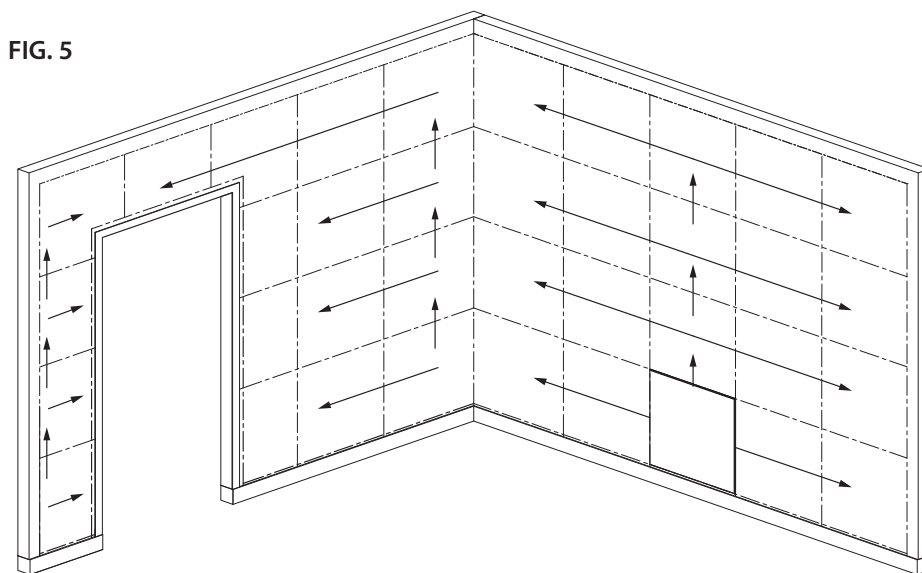
### Factory Finished Edges and Field Cut Edges

---

5. Immediately clean any adhesive on surface and edges of panel using Isopropyl alcohol, or Mineral spirits
6. Layout next location for next panel using a plum line or laser level, ensuring the proper reveal distance between each panel per layout. (Fig. 4)



7. Install panels according to instruction steps: 2-7
8. Continue building panel layout outwards from starting panel then up (Fig. 5)
  - a. When installing panels in a layout with one field-cut end condition, begin installation from non-field cut end working towards field cut condition. If both end conditions are field cut or non-field cut begin installation from center column working outward.



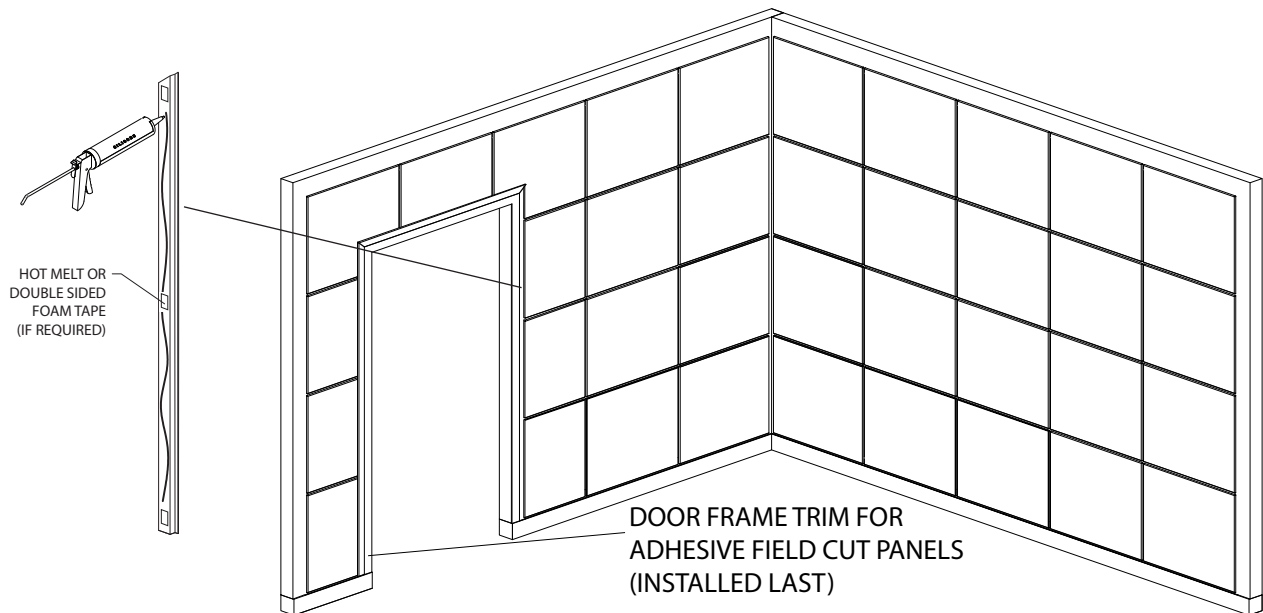
# Installation Instructions

## Palladium Wall Panels - Adhesive

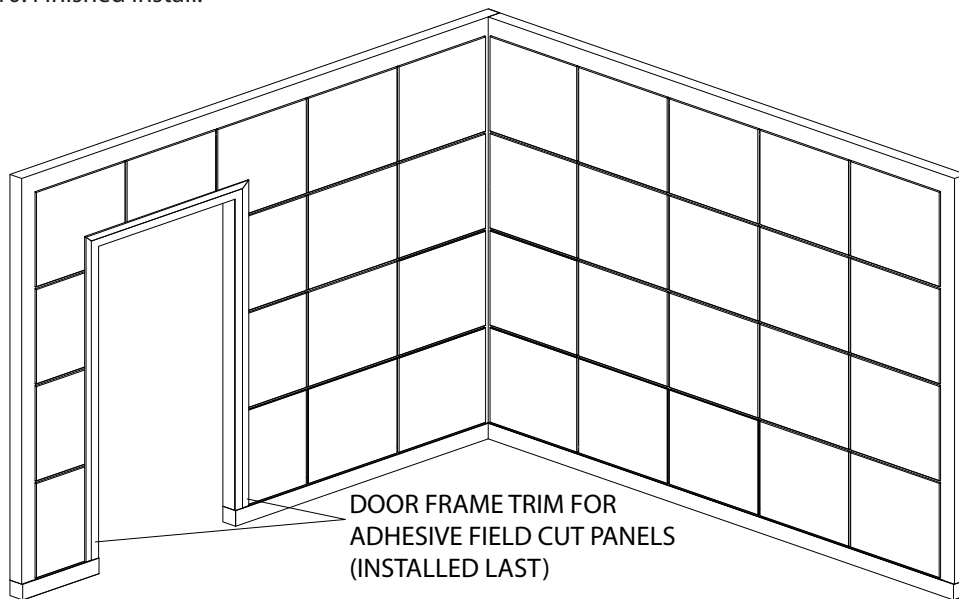
### Factory Finished Edges and Field Cut Edges

---

9. Install corner and door frame trim pieces, if required in layout.
- Cut trim pieces as required.
  - If using double sided foam tape for installation, apply square sections at both ends and middle as required
  - Apply PL Premium™ to back in a “zig-zag” pattern, for corner conditions apply to both sides.
  - Position corner trim firmly against wall, if using pin nails, place roughly 24” on center.



10. Finished install.



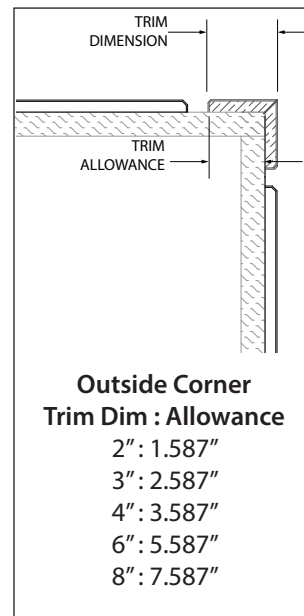
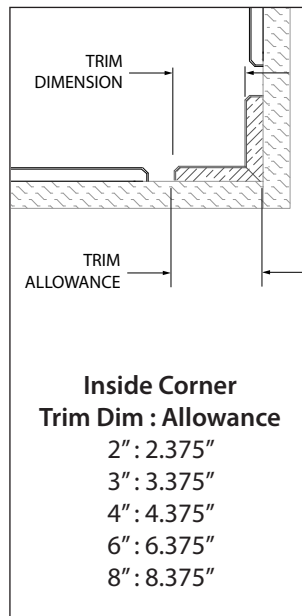
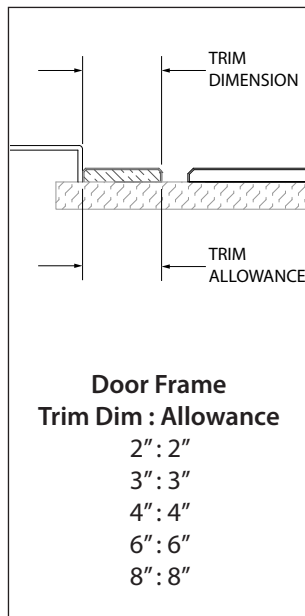
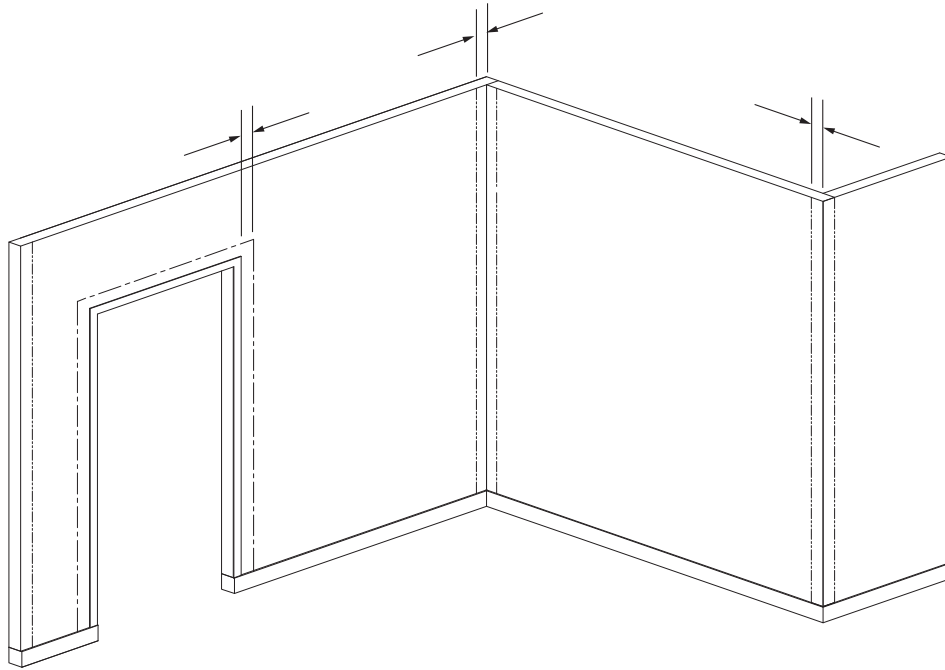
# Installation Instructions

## Palladium Wall Panels - Adhesive

### Factory Finished Edges and Field Cut Edges

Factory finished edge trim and reveal trim is installed before panels. Install reveal trim pieces as described in step 9. When using a corner guard over an outside corner reveal trim, install corner guard per supplied instructions before installing panels, to ensure proper fit. Determine proper corner condition and install according to detail below.

**Note:** Due to manufacturing tolerances, always confirm allowance dimensions on site using supplied trim.



# Installation Instructions

## Palladium Wall Panels - Adhesive

### Factory Finished Edges and Field Cut Edges

Field cut trim is installed after panels, remember to include trim allowance at each condition when laying out reveal. Before installation ensure the edges of the demountable panels are the proper distance apart and parallel to corner or door frame. Install overlapping trim pieces as described in step 9, Determine proper corner condition and install according to detail below. **Note:** Due to manufacturing tolerances, always confirm allowance dimensions on site using supplied trim.

