

Installation Instructions

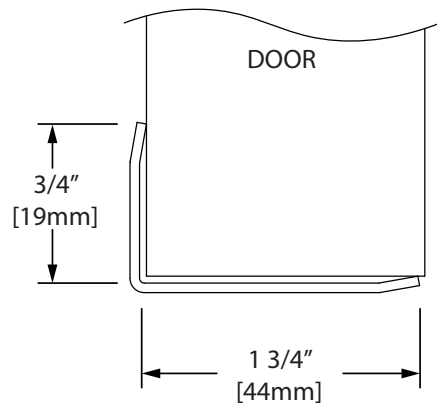
Please read all instructions before installing door edge protector.

Stainless Steel Door Edge Protector

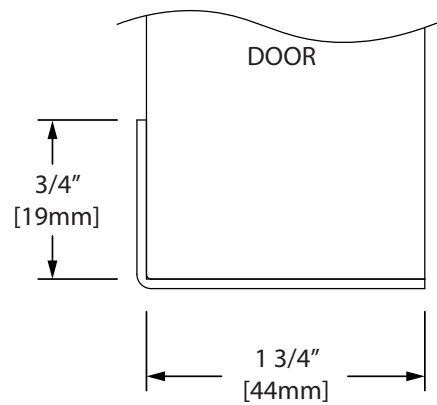
Important

1. Acclimate materials 24 hrs before installation. Maintain temperature controlled environment after installation.
2. Install in accordance with manufacturer's installation instructions. Failure to do so will void the warranty.

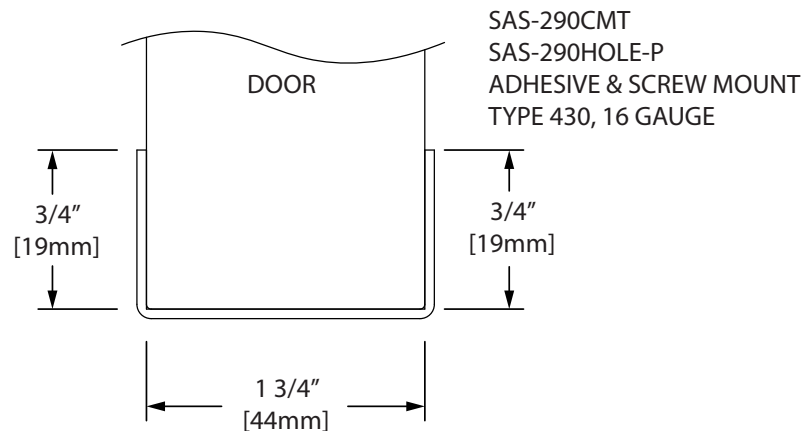
Section View



SAS-190CMT
ADHESIVE MOUNT
TYPE 430, 16 GAUGE



SAS-190HOLE-P
SCREW MOUNT
TYPE 430, 16 GAUGE



SAS-290CMT
SAS-290HOLE-P
ADHESIVE & SCREW MOUNT
TYPE 430, 16 GAUGE

Recommended tools

Safety Glasses, Tape Measure, Level, Power Drill, Drill Bits - (concrete/concrete block), Power Miter Saw, 10" Blade with 60-80 Carbide Tipped Teeth

IPC.453/REV.5

IPC® Door + Wall Protection

inpro.com • 800.222.5556 • 262.679.9010

World Headquarters S80 W18766 Apollo Drive, Muskego, WI 53150 USA

Installation Hotline: 866.394.6776

inpro®

Installation Instructions

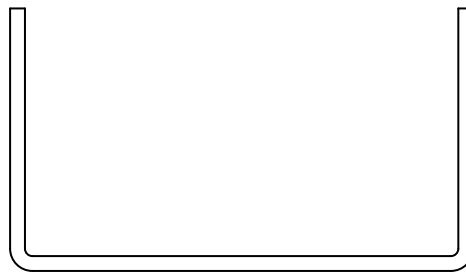
Please read all instructions before installing door edge protector.

Stainless Steel Door Edge Protector

Components and Fasteners



SAS-190CMT & SAS-190HOLE-P
STAINLESS STEEL
DOOR EDGE PROTECTOR
(ADHESIVE & SCREW MOUNT)



SAS-290CMT & SAS-290HOLE-P
STAINLESS STEEL
DOOR EDGE PROTECTOR
(ADHESIVE & SCREW MOUNT)

Condition	Specified Fasteners	Inpro Part #
Wood	#6 x 3/4" Flat Head Self-Tapping Screw	HW51

IPC® Door + Wall Protection

inpro.com • 800.222.5556 • 262.679.9010

World Headquarters S80 W18766 Apollo Drive, Muskego, WI 53150 USA

Installation Hotline: 866.394.6776

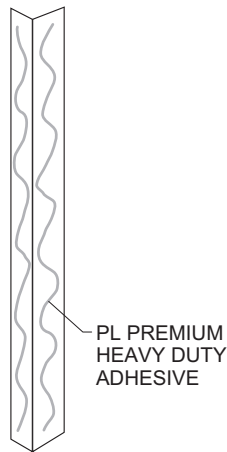
inpro®

Installation Instructions

Please read all instructions before installing door edge protector.

Stainless Steel Door Edge Protector

FIG. 1a



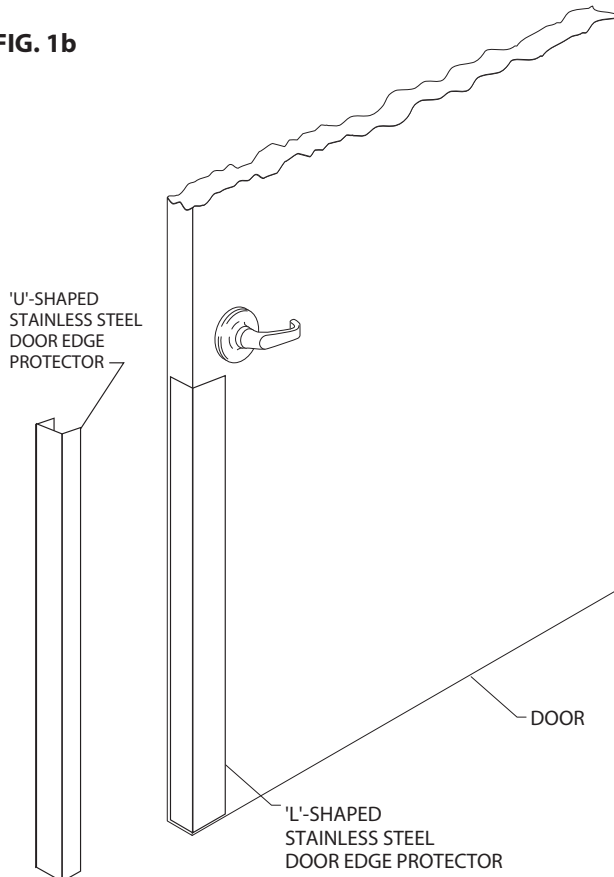
1. Allow door edge protector to reach room temperature before installing. The door surface must be dry and free of dirt, dust, oil, loose pain, wax and grease. Check the door clearance to see if the door will close properly with door edge protector in place. If needed, plane the edge of the door where the door edge protector will be mounted until there is proper clearance.

2. CEMENT-ON INSTALLATION

Apply a bead of PL Premium Heavy Duty Adhesive in a zig-zag pattern over the back of the door edge protector. SEE FIG. 1a

Position the door edge protector on the door and apply pressure until a tight fit is achieved. Remove the protective plastic coating from the exposed surface of the door edge protector. SEE FIG. 1b

FIG. 1b



IPC® Door + Wall Protection

inpro.com • 800.222.5556 • 262.679.9010

World Headquarters S80 W18766 Apollo Drive, Muskego, WI 53150 USA

Installation Hotline: 866.394.6776

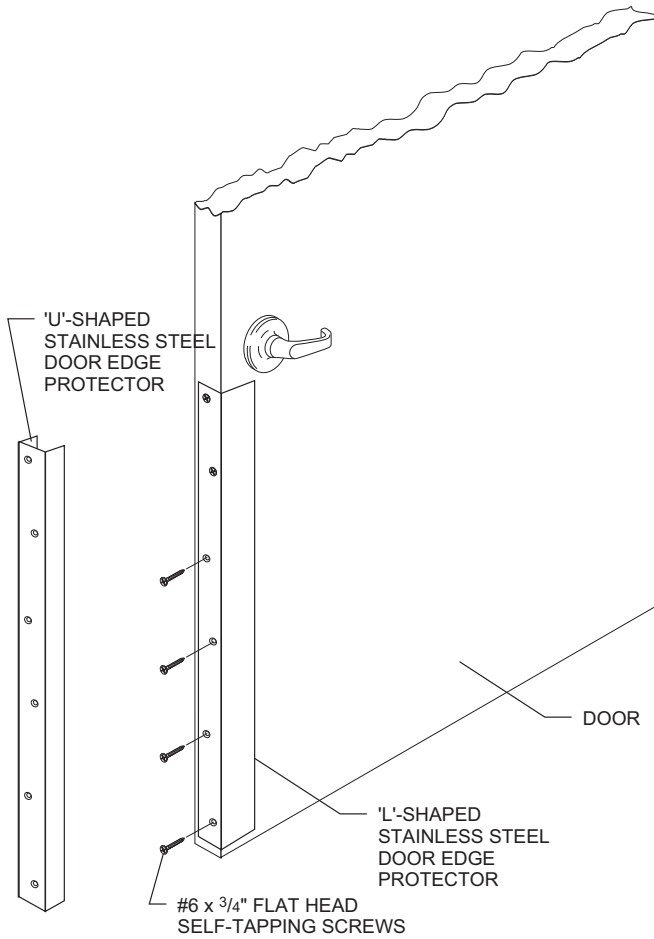
inpro®

Installation Instructions

Please read all instructions before installing door edge protector.

Stainless Steel Door Edge Protector

FIG. 2



3. SCREW-ON INSTALLATION

Attach door edge protector to door with provided hardware. Remove the protective plastic coating from the exposed surface of the door edge protector. SEE FIG. 2